

REV	DESCRIPTION	DATE	APPROVED
G	CN600564	2018-08-02	CLC

NOTES: UNLESS OTHERWISE SPECIFIED

1. LINKALIGN-360FER-10 CONFIGURABLE OPTIONS PER TABLE I. PART NUMBER LA-360FER-10-100 SHOWN THROUGHOUT THIS DRAWING. PoE CABLE SHOWN NOT TO SCALE
2. USE INTERFACE CONTROL DRAWING IN CONJUNCTION WITH DATASHEET N500119
3. 48 - 56VDC POWER SUPPLY INCLUDED WITH POSITIONER. NOT SHOWN IN DRAWING
4. HARD COAT ANODIZE ALUMINUM CONSTRUCTION WITH STAINLESS STEEL HARDWARE
5. 400° (+/-200°) AZIMUTH TRAVEL WITH 4.5°/SEC DRIVE RATE (NO LOAD)
- 6 140° (+120°/-20°) ELEVATION TRAVEL WITH 4.5°/SEC DRIVE RATE (NO LOAD)
7. -22° TO 140°F (-30° TO 60°C) OPERATIONAL TEMPERATURE RANGE. -40 TO 158°F (-40 TO 70°C) NON-OPERATIONAL TEMPERATURE RANGE
8. 0.1° FEEDBACK RESOLUTION IN ALL AXES
9. AZIMUTH AND ELEVATION BACKLASH LESS THAN 0.25°
- 10 13.08" (33.2 cm) HIGH X 8.59" (21.8 cm) WIDE X 12.38" (31.4 cm) DEEP. DIMENSIONS APPLY WHEN POSITIONER IS AT 0° AZIMUTH AND 0° ELEVATION ANGLES
11. WEIGHT APPROXIMATELY 21.0 LBS (9.5 kg) NOT INCLUDING PoE CABLE
- 12 PAYLOAD SHALL NOT EXCEED 45 LBS OR 20 FT-LBS OF TORQUE ABOUT THE ELEVATION AXIS. TO CALCULATE TORQUE, TAKE THE DISTANCE FROM THE PAYLOAD CENTER OF GRAVITY TO DATUM -H- IN FEET AND MULTIPLY BY THE PAYLOAD WEIGHT. SEVERAL ANTENNA BRACKET OPTIONS AVAILABLE THAT INTERFACE DIRECTLY WITH FEATURES SHOWN. GO TO [www.nextmovetech.com](http://www.nextmovetech.com) TO LEARN MORE
- 13 RADIO OR AUXILIARY MOUNTING HOLES (BOTH SIDES). 30 LBS MAX. IF MOUNTED TO THE ELEVATION BRACKET, TOTAL PAYLOAD (INCLUDING ANTENNA) MUST NOT EXCEED 20 FT-LBS
- 14 CENTER OF GRAVITY 0.2" (0.51 cm) IN THE X-DIRECTION, 6.5" (16.5 cm) IN THE Y-DIRECTION AND 0.5" (1.3 cm) IN THE Z-DIRECTION. X & Z MEASURED FROM THE CENTER OF THE 2.00" DIAMETER MOUNTING POLE
- 15 FOR PERMANENT INSTALLATIONS, IT IS RECOMMENDED THAT THE (2) INDICATED 5/16-18 THREADED KNOBS BE REPLACED WITH (2) 5/16-18 X 1.000" LONG STAINLESS STEEL HEX HEAD FASTENERS. HARDWARE PROVIDED WITH UNIT. TORQUE TO 132 IN-LBS
- 16 POSITIONER IS AT AZIMUTH PEDESTAL 0° WHEN INDICATED FASTENER IS AT POSITION SHOWN WITH CLAMPING KNOBS IN THE BACK AS SHOWN
- 17 POSITIONER CLAMPS TO STANDARD 2" OUTSIDE DIAMETER MAST (NOT INCLUDED). OPTIONAL MIDMOUNT KIT AVAILABLE TO ADAPT TO MAST DIAMETERS UP TO 6". GO TO [www.nextmovetech.com](http://www.nextmovetech.com) TO LEARN MORE
- 18 5/16" QUICK RELEASE PIN TO SECURE POSITIONER TO MAST AND PREVENT ROTATION

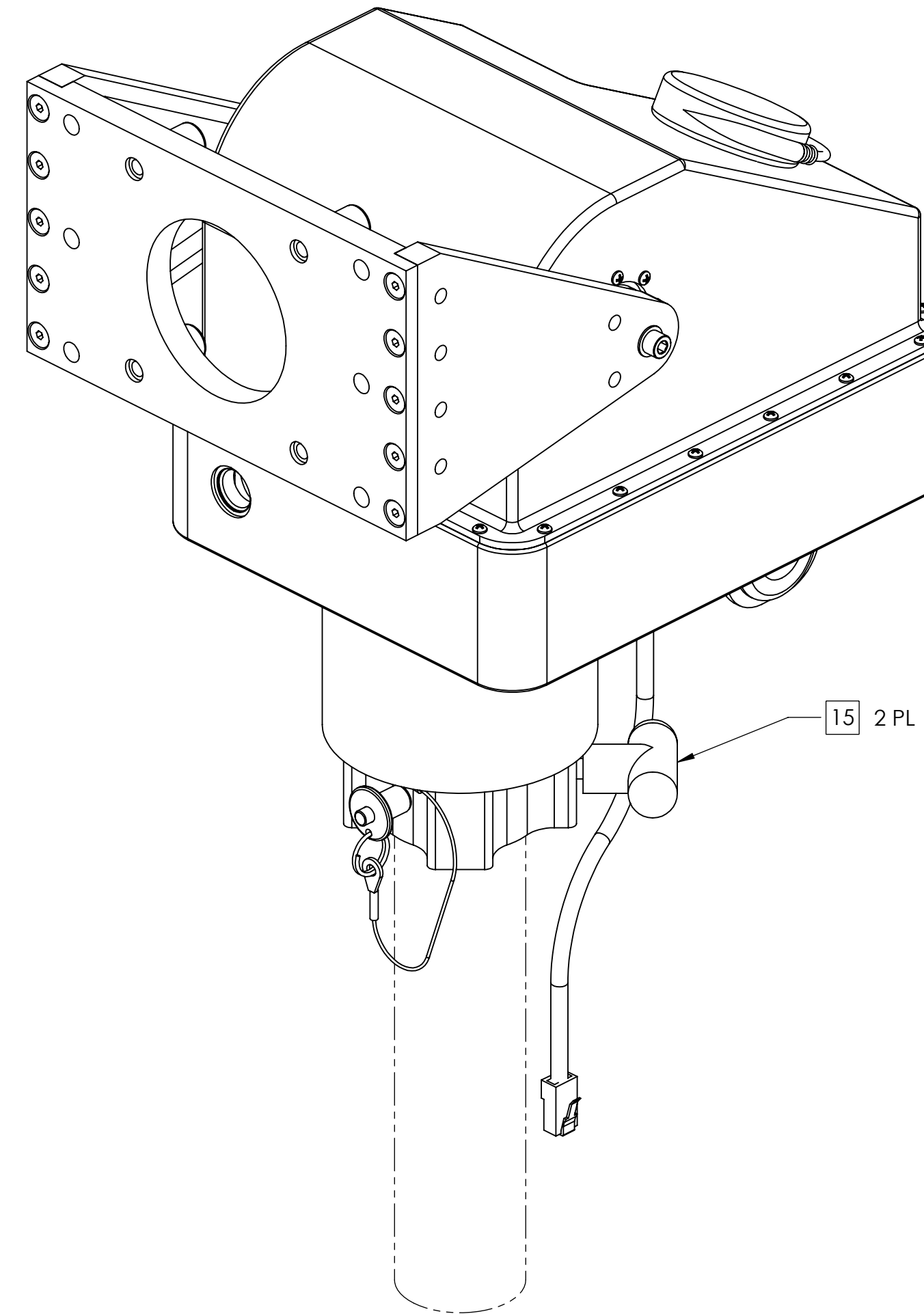
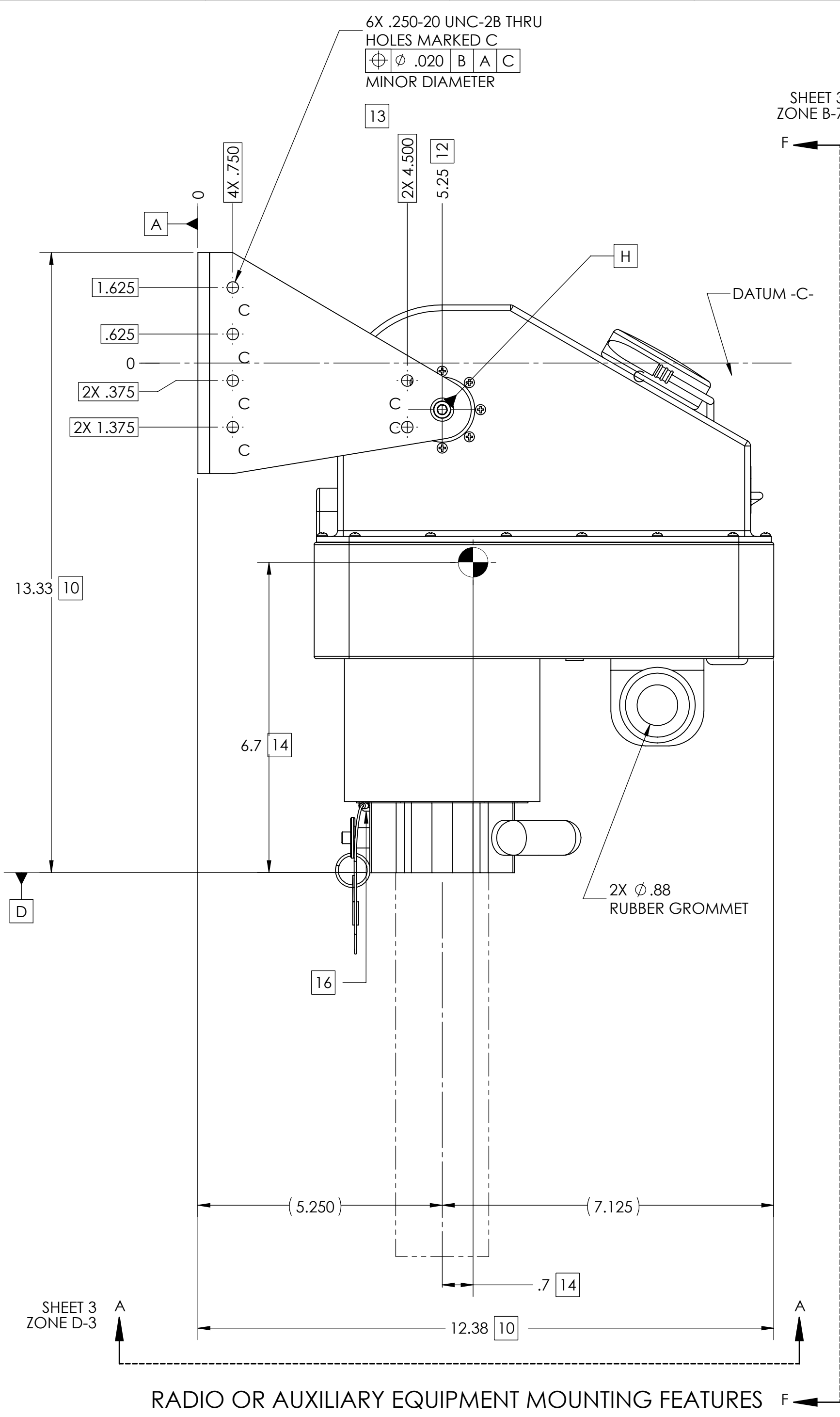
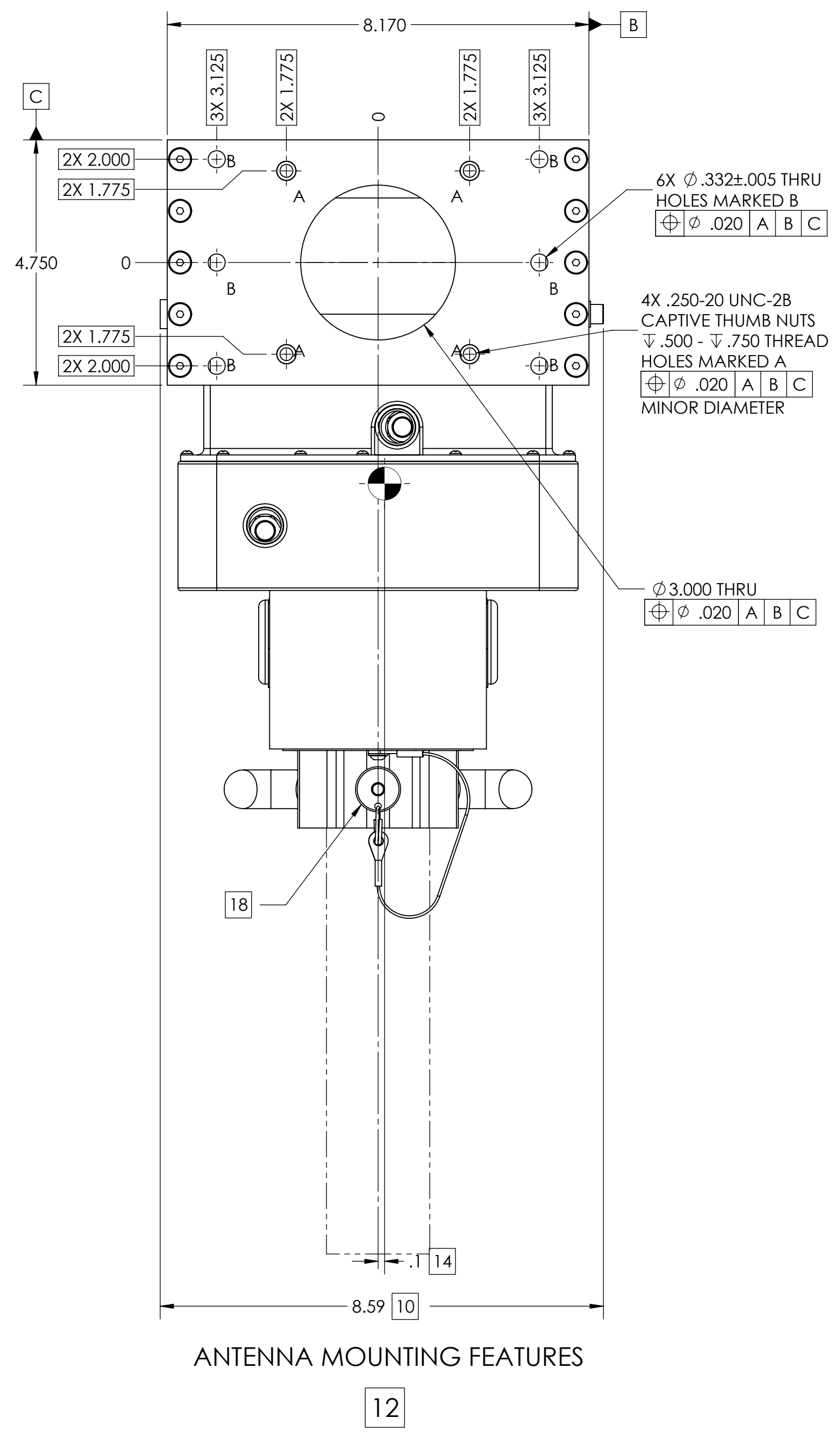


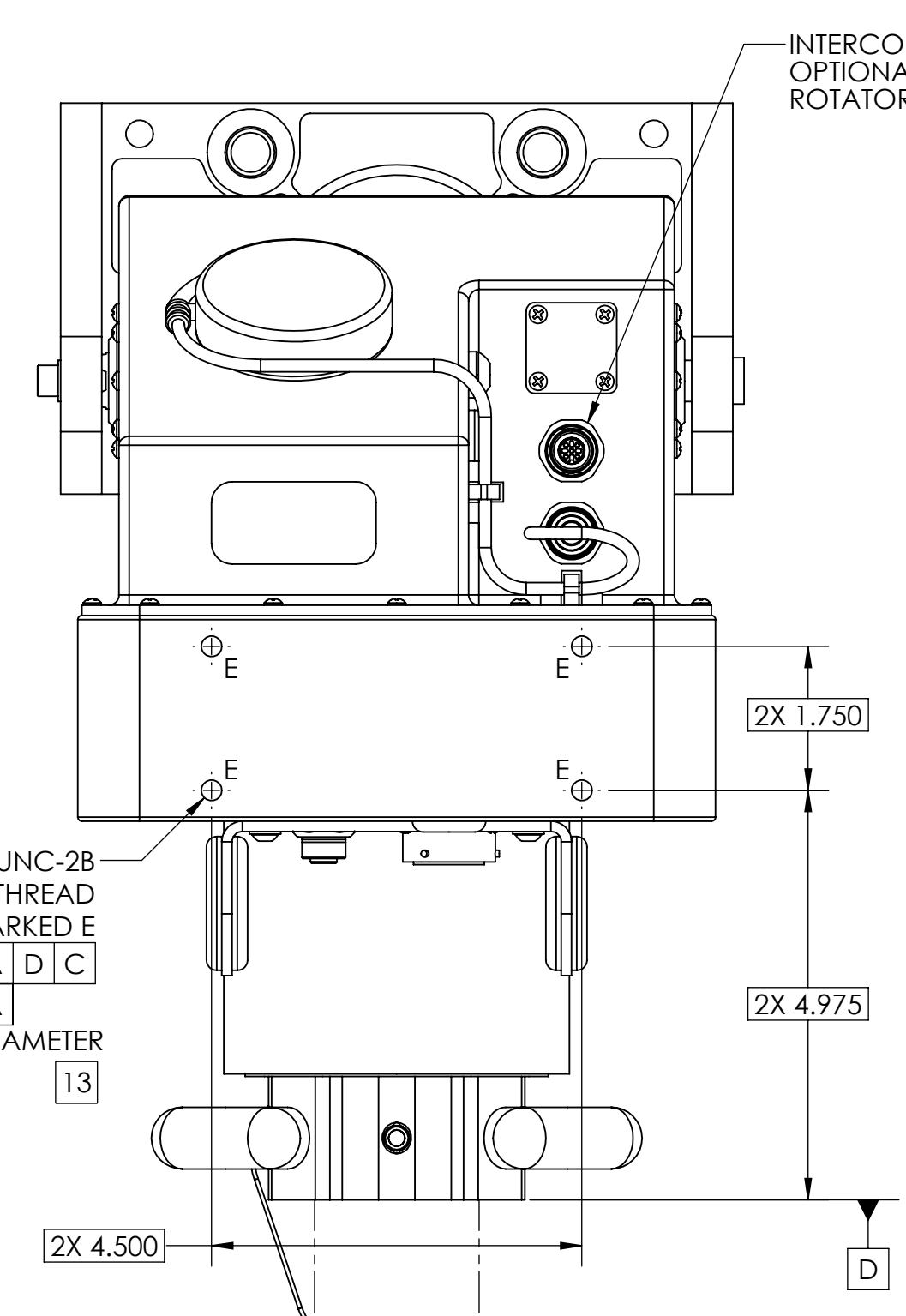
TABLE I	
BUILDING A PART NUMBER	STANDARD OPTIONS
LA-360FER - 10 - - 100	<<EXAMPLE
	<b>SHIELDED ETHERNET CABLE STANDARD LENGTHS</b>
	050 = 50 ft
	100 = 100 ft
	150 = 150 ft
	200 = 200 ft
	250 = 250 ft
	300 = 300 ft
	XXX = Custom length in feet
	XXXC = Add "C" to end of cable length for unterminated mating connector
	<b>CUSTOM CONFIGURATION</b>
	= Standard options - leave blank
	<b>MOTOR DRIVES AND PAYLOAD</b>
	10 = Az 20 ft-lbs @ 4.5°/s, El 20 ft-lbs @ 4.5°/s, 45 lb payload. Typically paired with 1-2 ft antenna
	<b>MODEL</b>
	LA-360FER = LinkAlign-360FER (+/-200° azimuth, +120/-20° elevation)

<b>SYMBOL KEY</b> <input type="checkbox"/> NOTE <input type="checkbox"/> PL ITEMS	<b>UNLESS OTHERWISE SPECIFIED:</b> DIMENSIONS ARE IN INCHES TOLERANCES: ANGLE ± 5 DEGREES TWO PLACE DECIMAL ±.030 THREE PLACE DECIMAL ±.010 INTERPRET DIM AND TOL PER ASME Y14.5M - 1994	DRAWN S. CHEYNE 2015-03-24 CHECKED C. CHEYNE 2018-08-02 ME APPR. S. CHEYNE 2015-03-24 EE APPR.	<b>NEXTMOVE TECHNOLOGIES</b>  TITLE: <b>LINKALIGN-360FER-10          INTERFACE CONTROL          DRAWING</b>
		PART NO. <b>SEE TABLE I</b>	
NEXTMOVE TECHNOLOGIES, LLC HOLLIS, NH 03049 <a href="http://www.nextmovetech.com">www.nextmovetech.com</a>		DO NOT SCALE DRAWING	SCALE: 1:2 SHEET 1 OF 4



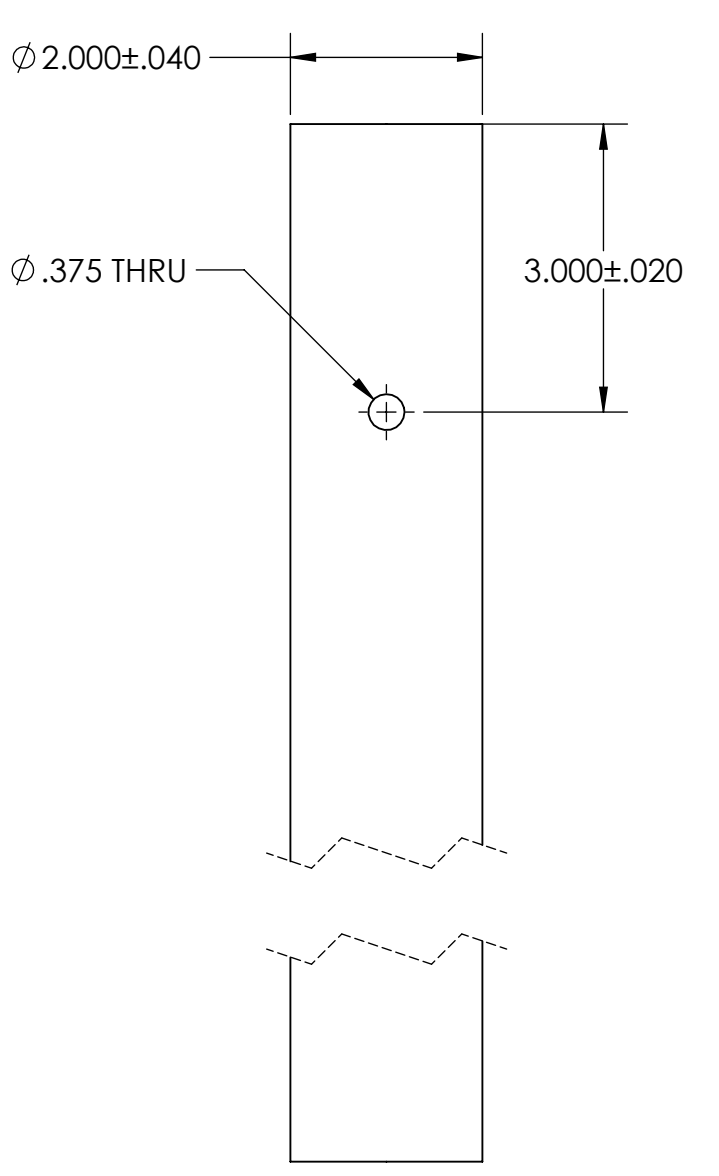
8 7 6 5 4 3 2 1

F  
E  
D  
C  
B  
A



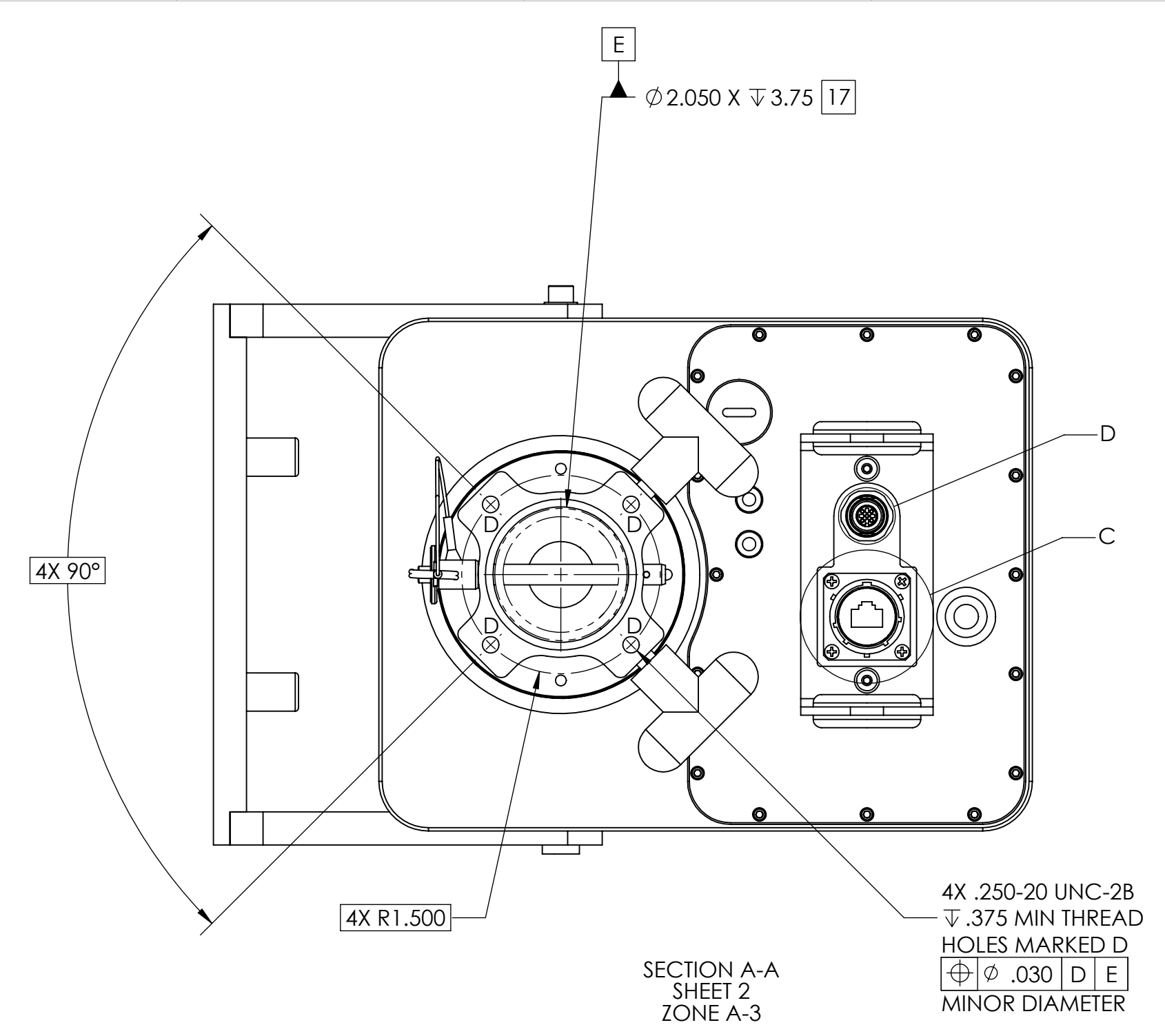
$\varnothing$ .050	A	D	C
$\varnothing$ .020	A		

MINOR DIAMETER



SUGGESTED POSITIONER MAST DIMENSIONS

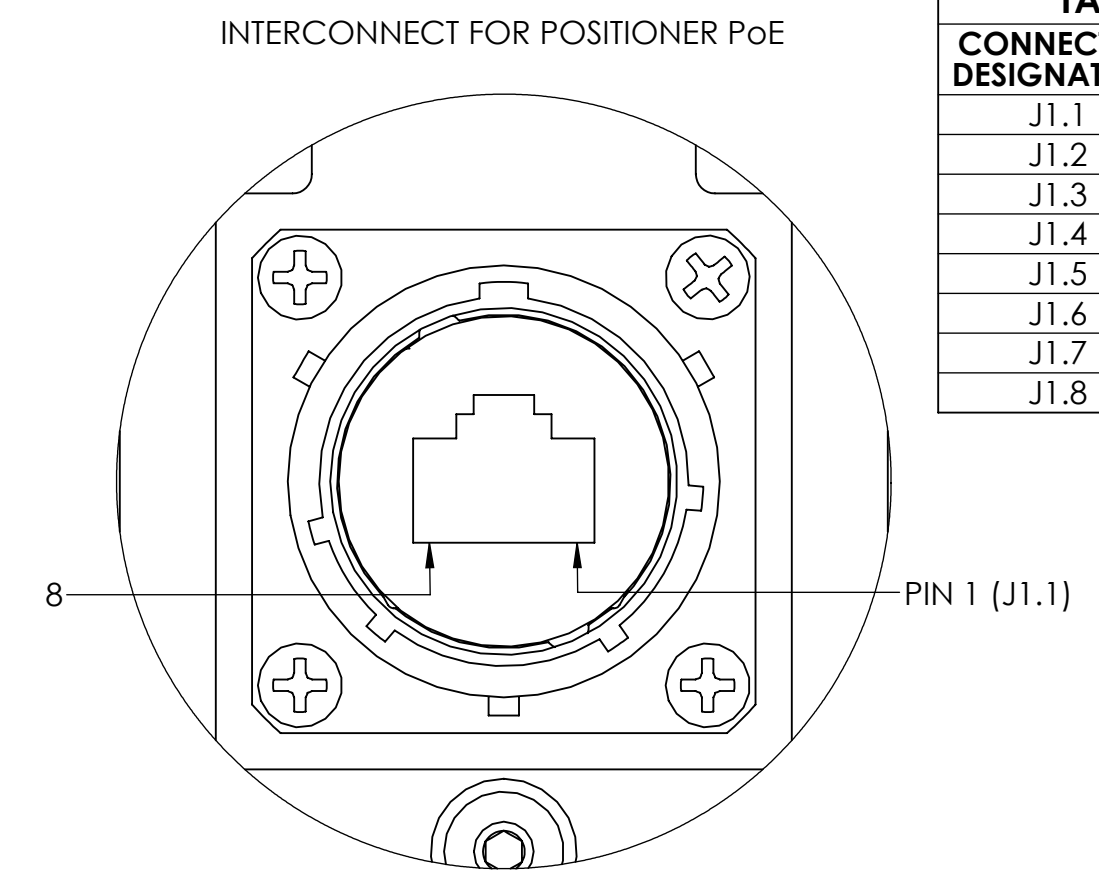
17



$\varnothing$ .030	D	E
--------------------	---	---

MINOR DIAMETER

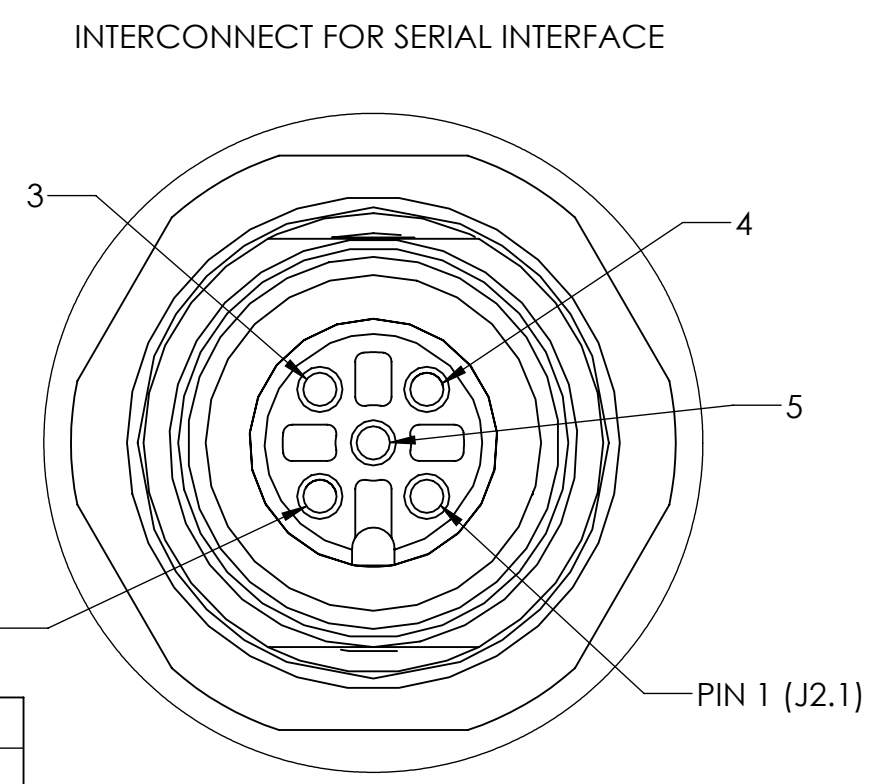
SECTION B-B  
SHEET 2  
ZONE F-1



J1 CONNECTOR SHOWN FROM MATING SIDE  
MATES WITH AMPHENOL P/N - RJF6B

DETAIL C  
SCALE 2 : 1  
SEE TABLE II FOR PINOUT DETAILS

TABLE II (PoE CONNECTOR)	
CONNECTOR DESIGNATION	FUNCTION
J1.1	DATA PAIR 1
J1.2	DATA PAIR 1
J1.3	DATA PAIR 2
J1.4	+48-56VDC PoE POWER INPUT
J1.5	+48-56VDC PoE POWER INPUT
J1.6	DATA PAIR 2
J1.7	DC RETURN FOR PoE INPUT
J1.8	DC RETURN FOR PoE INPUT

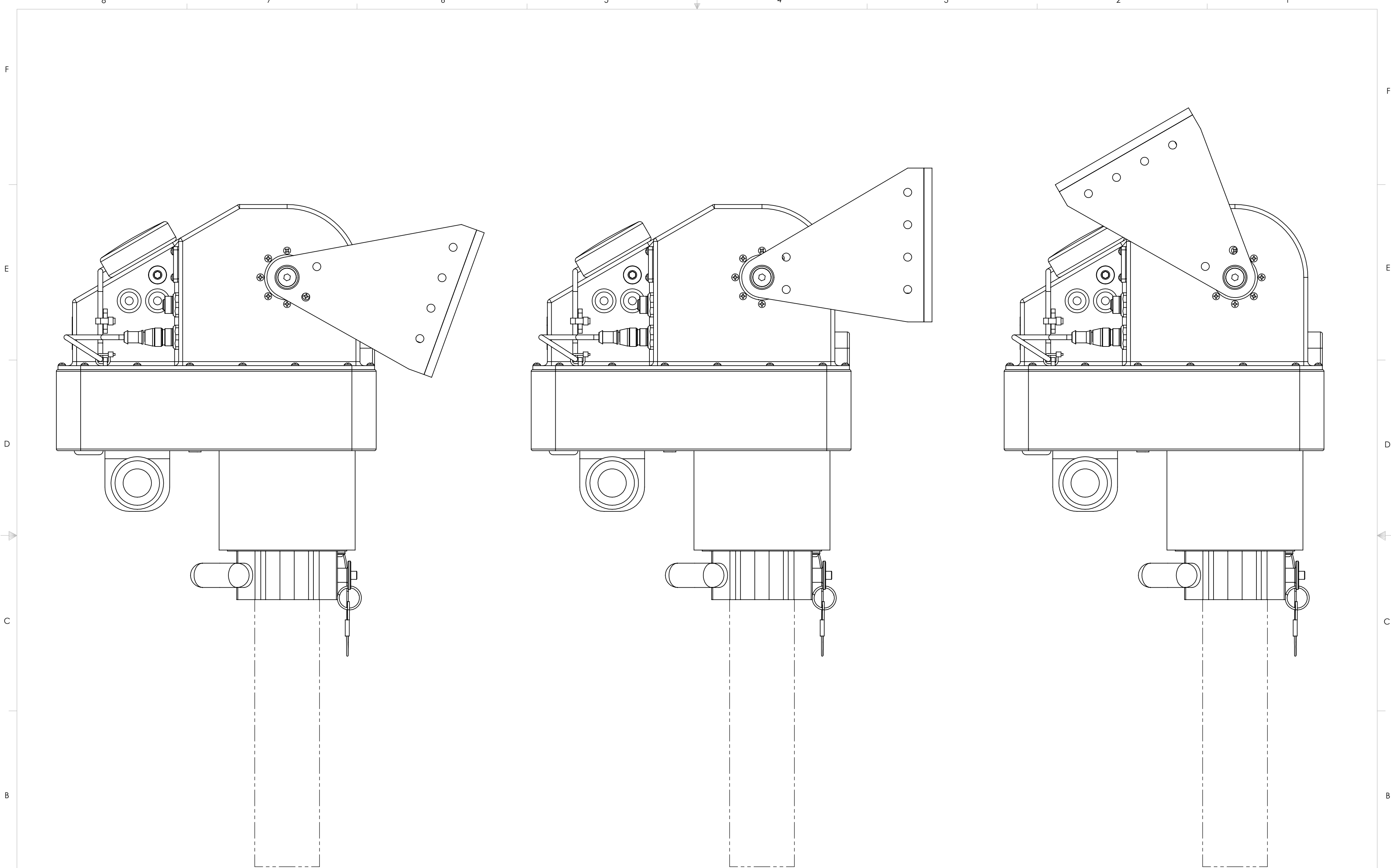


J2 CONNECTOR SHOWN FROM MATING SIDE  
MATES WITH TURCK P/N 8151-0/PG9

DETAIL D  
SCALE 4 : 1  
SEE TABLE III FOR PINOUT DETAILS

TABLE III (SERIAL CONNECTOR)	
CONNECTOR DESIGNATION	FUNCTION
J2.1	DC RETURN FOR NEXTMOVE JOYSTICK
J2.2	NOT USED
J2.3	(B) TxD-/RxD- DATA LINE
J2.4	(A) TxD+/RxD+ DATA LINE
J2.5	DC POWER FOR NEXTMOVE JOYSTICK

8 7 6 5 4 3 2 1



SHOWN AT -20° ELEVATION LIMIT

6

SHOWN AT 0° ELEVATION

SHOWN AT 120° ELEVATION LIMIT

6