

REV	DESCRIPTION	DATE	APPROVED
C	CN600564	2018-08-06	CLC

NOTES: UNLESS OTHERWISE SPECIFIED

1. LINKALIGN-60EBP-10 CONFIGURABLE OPTIONS PER TABLE I. PART NUMBER LA-60EBP-10-100 SHOWN THROUGHOUT THIS DRAWING. PoE CABLE SHOWN NOT TO SCALE
2. USE INTERFACE CONTROL DRAWING IN CONJUNCTION WITH DATASHEET N500131
3. 48 - 56VDC POWER SUPPLY INCLUDED WITH POSITIONER. NOT SHOWN IN DRAWING
4. HARD COAT ANODIZE ALUMINUM CONSTRUCTION WITH STAINLESS STEEL HARDWARE
5. 60° (+/-30°) AZIMUTH TRAVEL WITH 0.4°/SEC DRIVE RATE (NO LOAD)
6. 60° (+/-30°) ELEVATION TRAVEL WITH 0.4°/SEC DRIVE RATE (NO LOAD). POSITIONER CAN BE MOUNTED ON EITHER SIDE OF THE MAST. SOFTWARE FEATURES ALLOW FOR THE ELEVATION DIRECTION TO BE REVERSED
7. -22° TO 140°F (-30° TO 60°C) OPERATIONAL TEMPERATURE RANGE. -40 TO 158°F (-40 TO 70°C) NON-OPERATIONAL TEMPERATURE RANGE
8. 0.01° FEEDBACK RESOLUTION IN BOTH AXES
9. AZIMUTH / ELEVATION BACKLASH LESS THAN 0.1°
10. ENVELOPE DIMENSIONS WHEN MOUNTED TO A 4.5" O.D. MAST ARE 11.81" (30.0 cm) HIGH X 15.11" (38.4 cm) WIDE X 10.25" (26.0 cm) DEEP. DIMENSIONS APPLY WHEN POSITIONER IS AT 0° AZIMUTH AND 0° ELEVATION ANGLES
11. WEIGHT APPROXIMATELY 40 LBS (18.1 kg) NOT INCLUDING PoE CABLE
12. CENTER OF GRAVITY 5.2" (13.2 cm) IN THE X-DIRECTION, 0.9" (2.3 cm) IN THE Y-DIRECTION AND 0" IN THE Z-DIRECTION MEASURED FROM THE CORRESPONDING DATUM A, B, OR C
13. POSITIONER CLAMPS TO 3" - 4.5" OUTSIDE DIAMETER MAST (NOT INCLUDED). 4.5" O.D. MAST SHOWN THROUGHOUT THIS DRAWING
14. TORQUE THE INDICATED POSITIONER CLAMP FASTENERS (3/8-16 X 4.5" LONG STAINLESS STEEL HEX HEAD SCREWS) TO 236 IN-LBS OR 20 FT-LBS
15. PAYLOAD SHALL NOT EXCEED 100 LBS OR 50 FT-LBS OF OPERATIONAL TORQUE ABOUT THE AZIMUTH OR ELEVATION AXIS NOTED BY DATUM C AND B RESPECTIVELY
16. NON-OPERATIONAL WIND LOADING TORQUE SHALL NOT EXCEED 200 FT-LBS ON THE AZIMUTH OR ELEVATION AXIS NOTED BY DATUM C AND B RESPECTIVELY
17. ANTENNA MOUNTING PLATE VARIES TO SUPPORT ANTENNA PAYLOADS LISTED IN TABLE I. CUSTOM CONFIGURATIONS ARE ALSO AVAILABLE UPON REQUEST
18. TORQUE ANTENNA MOUNTING HARDWARE (5/16-18 X 1" LONG STAINLESS STEEL HEX HEAD SCREWS) TO 132 IN-LBS OR 11 FT-LBS

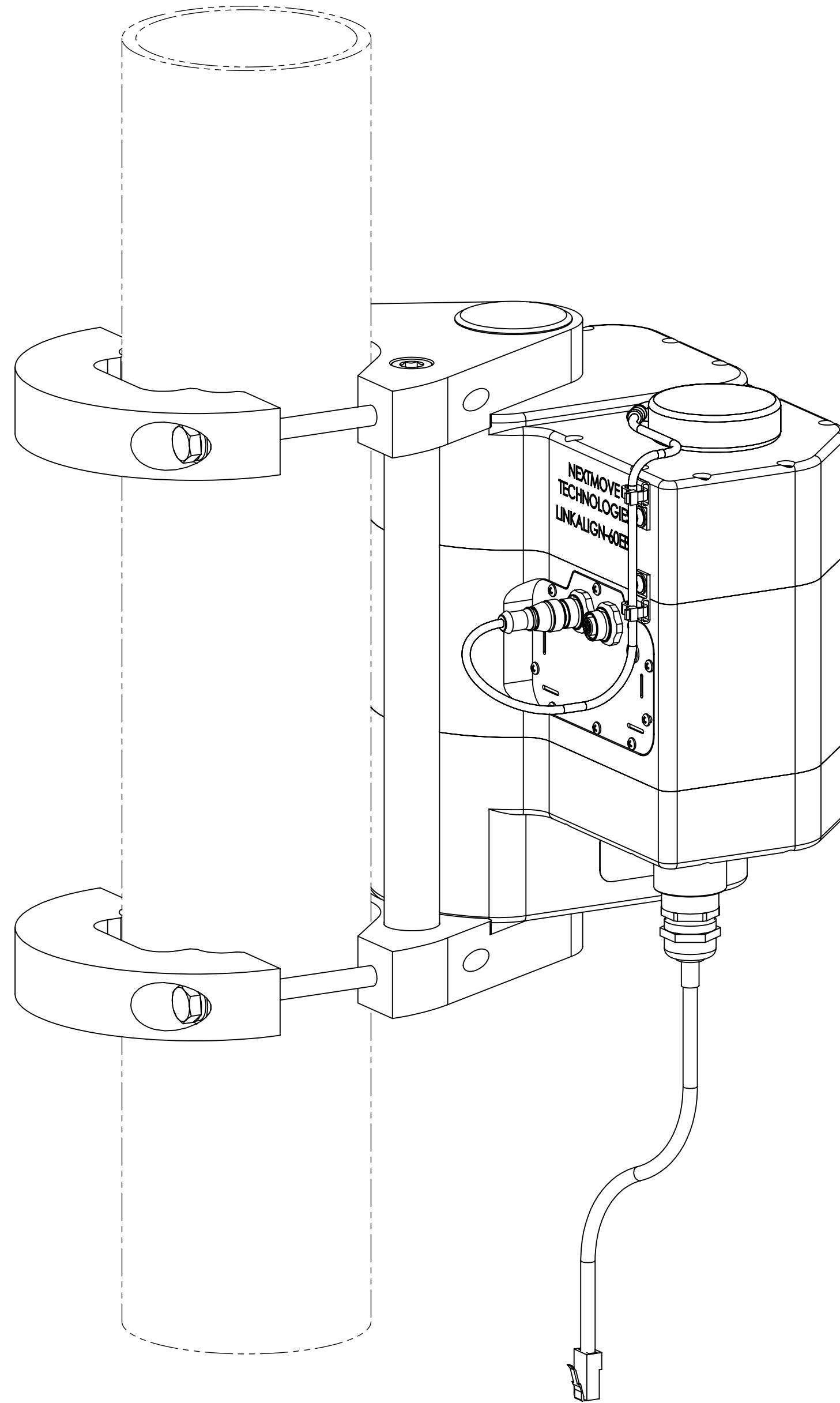
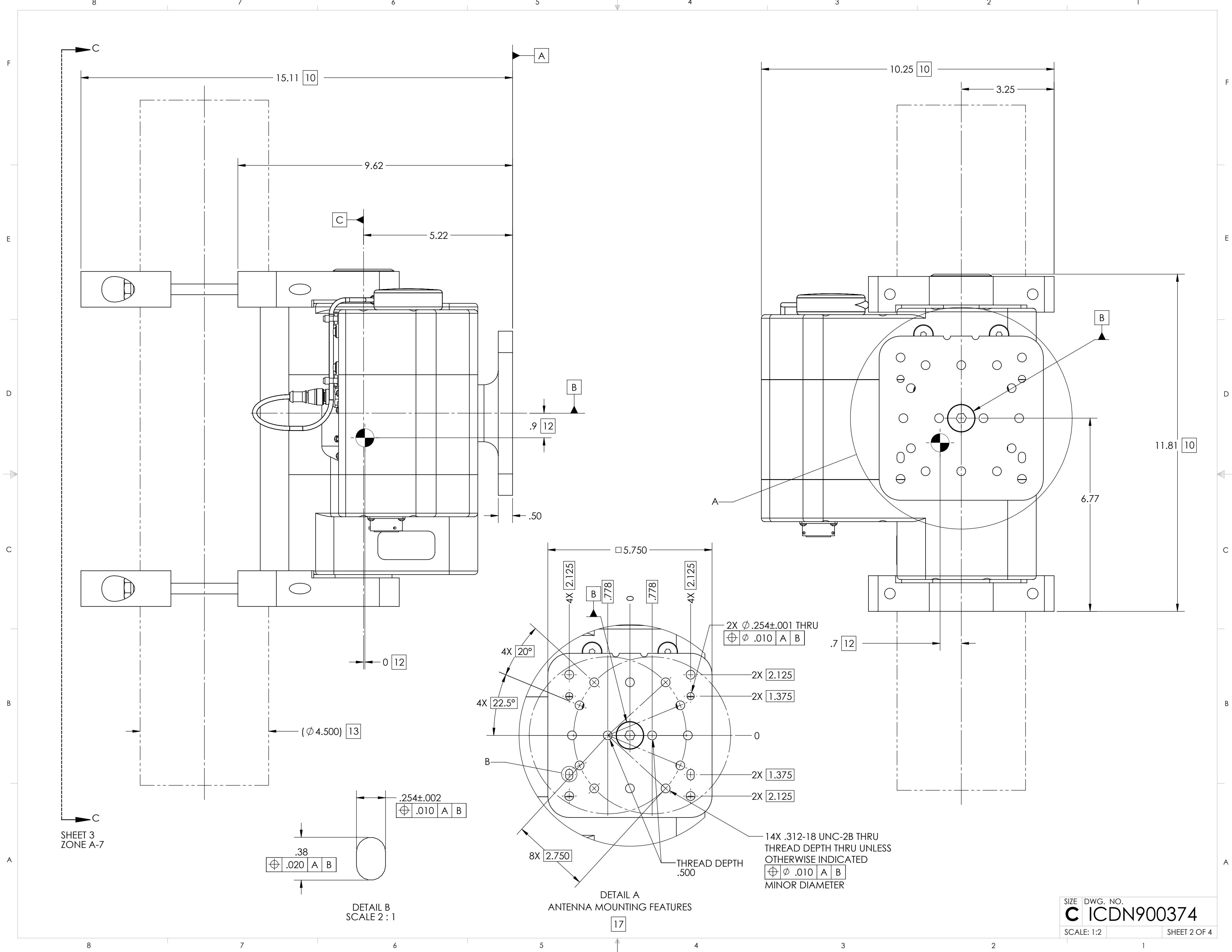


TABLE I	
<b>BUILDING A PART NUMBER</b>	<b>STANDARD OPTIONS</b>
LA-60EBP - 10 - 100	<<EXAMPLE
	<b>SHIELDED ETHERNET CABLE STANDARD LENGTHS</b>
	050 = 50 ft
	100 = 100 ft
	150 = 150 ft
	200 = 200 ft
	250 = 250 ft
	300 = 300 ft
	XXX = Custom length in feet
	XXXC = Add "C" to end of cable length for unterminated mating connector
	<b>CUSTOM CONFIGURATION</b>
	= Standard options - leave blank
	<b>MOTOR DRIVES AND PAYLOAD</b>
	10 = Az 50 ft-lbs @ 0.4°/s, El 50 ft-lbs @ 0.4°/s, 100 lb payload. Typically paired with 1-2 ft side arm mount antenna
	<b>MODEL</b>
	LA-60EBP = LinkAlign-60EBP (+/-30° azimuth, +/-30° elevation)

<b>SYMBOL KEY</b> <input type="checkbox"/> NOTE <input type="checkbox"/> PL ITEMS	<b>UNLESS OTHERWISE SPECIFIED:</b> DIMENSIONS ARE IN INCHES TOLERANCES: ANGLE ± 5 DEGREES TWO PLACE DECIMAL ±.030 THREE PLACE DECIMAL ±.010 INTERPRET DIM AND TOL PER ASME Y14.5M - 1994	DRAWN S. CHEYNE 2016-04-08 CHECKED C. CHEYNE 2018-08-06 ME APPR. S. CHEYNE 2016-04-08 EE APPR.	<b>NEXTMOVE TECHNOLOGIES</b>  TITLE: <b>LINKALIGN-60EBP-10 INTERFACE CONTROL DRAWING</b>
		PART NO. <b>SEE TABLE I</b>	
NEXTMOVE TECHNOLOGIES, LLC HOLLIS, NH 03049 www.nextmove.tech.com		DO NOT SCALE DRAWING	SCALE: 1:2 SHEET 1 OF 4

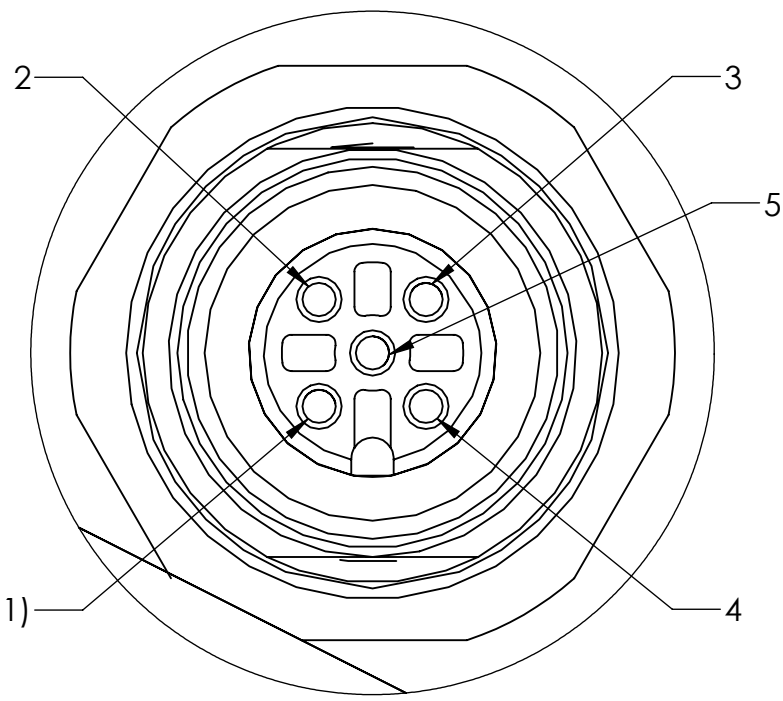


SHEET 3  
ZONE A-7

DETAIL B  
SCALE 2:1

DETAIL A  
ANTENNA MOUNTING FEATURES

INTERCONNECT FOR SERIAL / OPTIONAL PELCO-D JOYSTICK INTERFACE

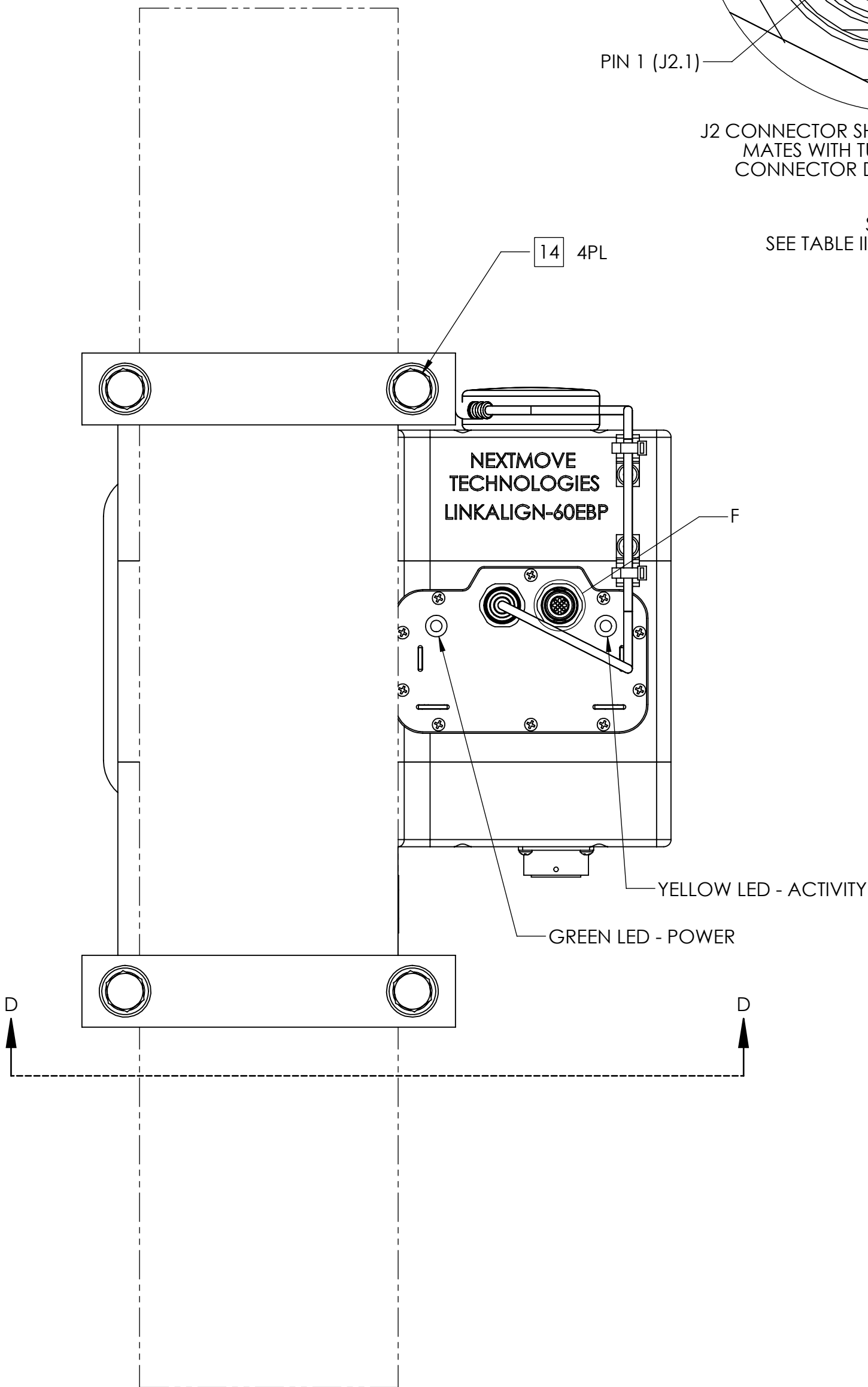


PIN 1 (J2.1)

J2 CONNECTOR SHOWN FROM MATING SIDE  
MATES WITH TURCK P/N 8151-0/PG9  
CONNECTOR DUST CAP NOT SHOWN

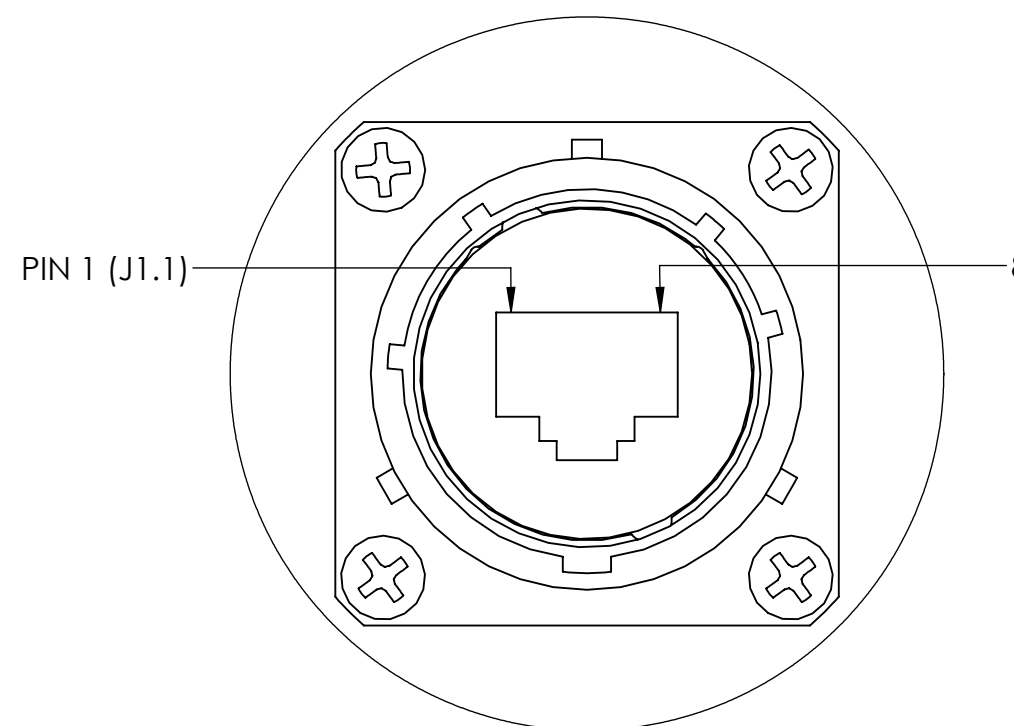
DETAIL F  
SCALE 4 : 1  
SEE TABLE III FOR PINOUT DETAILS

TABLE III (SERIAL CONNECTOR)	
CONNECTOR DESIGNATION	FUNCTION
J2.1	DC RETURN FOR NEXTMOVE JOYSTICK
J2.2	NOT USED
J2.3	(B) TxD-/RxD- DATA LINE
J2.4	(A) TxD+/RxD+ DATA LINE
J2.5	DC POWER FOR NEXTMOVE JOYSTICK



VIEW C-C  
SHEET 2  
ZONE A-8

INTERCONNECT FOR POSITIONER PoE

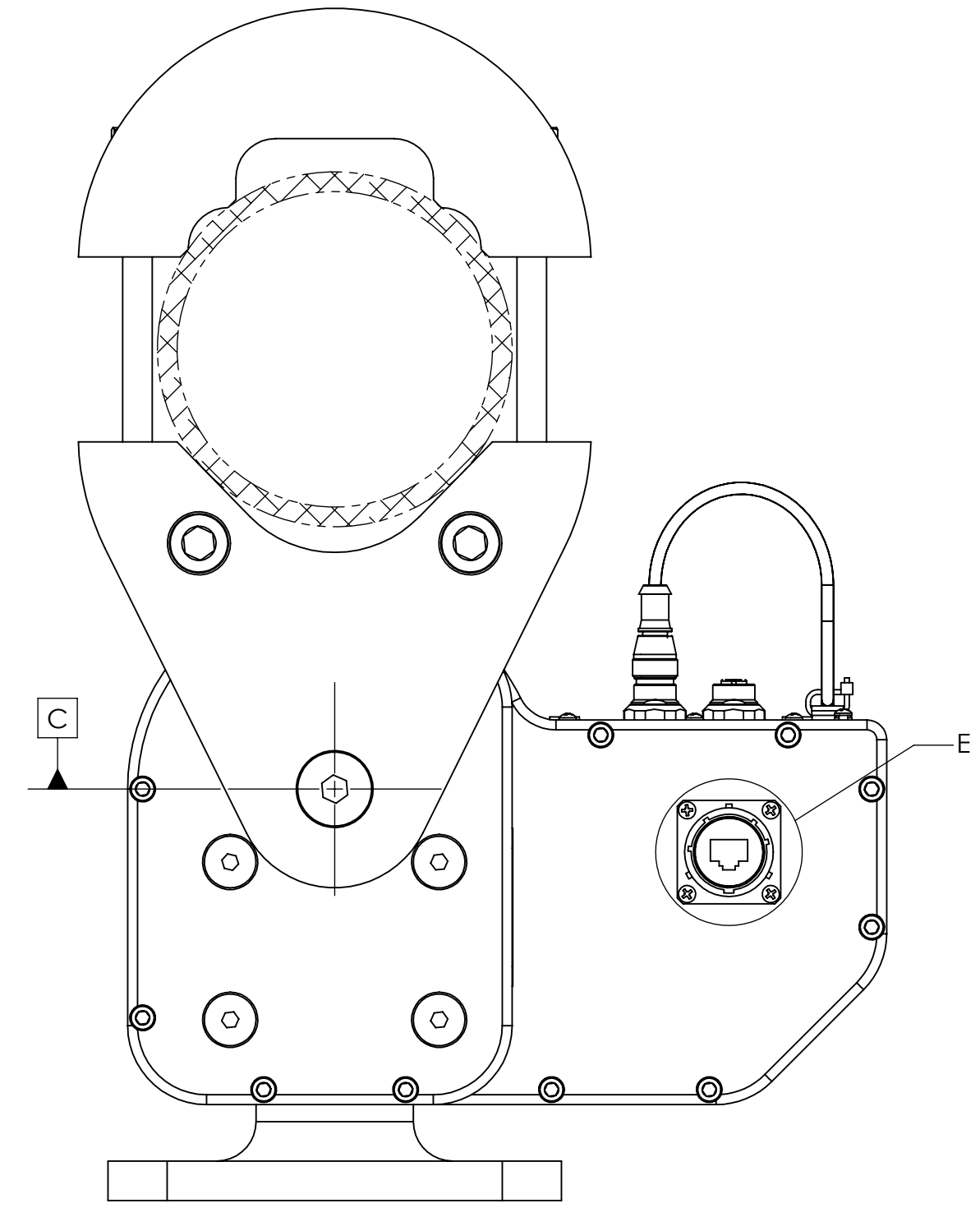


PIN 1 (J1.1)

J1 CONNECTOR SHOWN FROM MATING SIDE  
MATES WITH AMPHENOL P/N - RJF6B

DETAIL E  
SCALE 2 : 1  
SEE TABLE II FOR PINOUT DETAILS

TABLE II (PoE CONNECTOR)	
CONNECTOR DESIGNATION	FUNCTION
J1.1	DATA PAIR 1
J1.2	DATA PAIR 1
J1.3	DATA PAIR 2
J1.4	+48-56VDC PoE POWER INPUT
J1.5	+48-56VDC PoE POWER INPUT
J1.6	DATA PAIR 2
J1.7	DC RETURN FOR PoE INPUT
J1.8	DC RETURN FOR PoE INPUT



SECTION D-D

