

REV	DESCRIPTION	DATE	APPROVED
C	CN600564	2018-08-06	CLC

NOTES: UNLESS OTHERWISE SPECIFIED

- LINKALIGN-60EBP-30 CONFIGURABLE OPTIONS PER TABLE I. PART NUMBER LA-60EBP-30-100 SHOWN THROUGHOUT THIS DRAWING. PoE CABLE SHOWN IS NOT SHOWN
- USE INTERFACE CONTROL DRAWING IN CONJUNCTION WITH DATASHEET N500145
- 48 - 56VDC POWER SUPPLY INCLUDED WITH POSITIONER. NOT SHOWN IN DRAWING
- HARD COAT ANODIZE ALUMINUM CONSTRUCTION WITH STAINLESS STEEL HARDWARE
- 60° (+/-30°) AZIMUTH TRAVEL WITH 0.47°/SEC DRIVE RATE (NO LOAD)
- 60° (+/-30°) ELEVATION TRAVEL WITH 0.47°/SEC DRIVE RATE (NO LOAD). POSITIONER CAN BE MOUNTED ON EITHER SIDE OF THE MAST. SOFTWARE FEATURES ALLOW FOR THE ELEVATION DIRECTION TO BE REVERSED
- 22° TO 140°F (-30° TO 60°C) OPERATIONAL TEMPERATURE RANGE. -40 TO 158°F (-40 TO 70°C) NON-OPERATIONAL TEMPERATURE RANGE
- 0.01° FEEDBACK RESOLUTION IN BOTH AXES
- AZIMUTH AND ELEVATION BACKLASH LESS THAN 0.03°
- ENVELOPE DIMENSIONS WHEN MOUNTED TO A 4.5" O.D. MAST ARE 20.58" (52.3 cm) HIGH X 13.85" (35.2 cm) WIDE X 16.69" (42.4 cm) DEEP. DIMENSIONS APPLY WHEN POSITIONER IS AT 0° AZIMUTH AND 0° ELEVATION ANGLES
- WEIGHT APPROXIMATELY 100.0 LBS (45.4 kg) NOT INCLUDING PoE CABLE
- CENTER OF GRAVITY 7.1" (18.0 cm) IN THE X-DIRECTION, 0.1" (0.3 cm) IN THE Y-DIRECTION AND 0.6" (1.5 cm) IN THE Z-DIRECTION FROM THE CORRESPONDING DATUM A, B, OR C
- POSITIONER CLAMPS TO 3" - 4.5" OUTSIDE DIAMETER MAST (NOT INCLUDED). 4.5" O.D. MAST SHOWN THROUGHOUT THIS DRAWING
- TORQUE THE INDICATED POSITIONER CLAMP FASTENERS (1/2-13 X 5.0" LONG STAINLESS STEEL HEX HEAD SCREWS) TO 45 FT-LBS
- PAYLOAD SHALL NOT EXCEED 300 LBS OR 150 FT-LBS OF OPERATIONAL TORQUE ABOUT THE AZIMUTH OR ELEVATION AXIS NOTED BY DATUM C AND B RESPECTIVELY
- NON-OPERATIONAL WIND LOADING TORQUE SHALL NOT EXCEED 1500 FT-LBS ON THE AZIMUTH OR ELEVATION AXIS NOTED BY DATUM C AND B RESPECTIVELY
- ANTENNA MOUNTING PLATE VARIES TO SUPPORT ANTENNA PAYLOADS LISTED IN TABLE I. CUSTOM CONFIGURATIONS ARE ALSO AVAILABLE UPON REQUEST
- TORQUE ANTENNA MOUNTING HARDWARE (5/8-11 X 1.5" LONG STAINLESS STEEL HEX HEAD SCREWS) TO 150 FT-LB

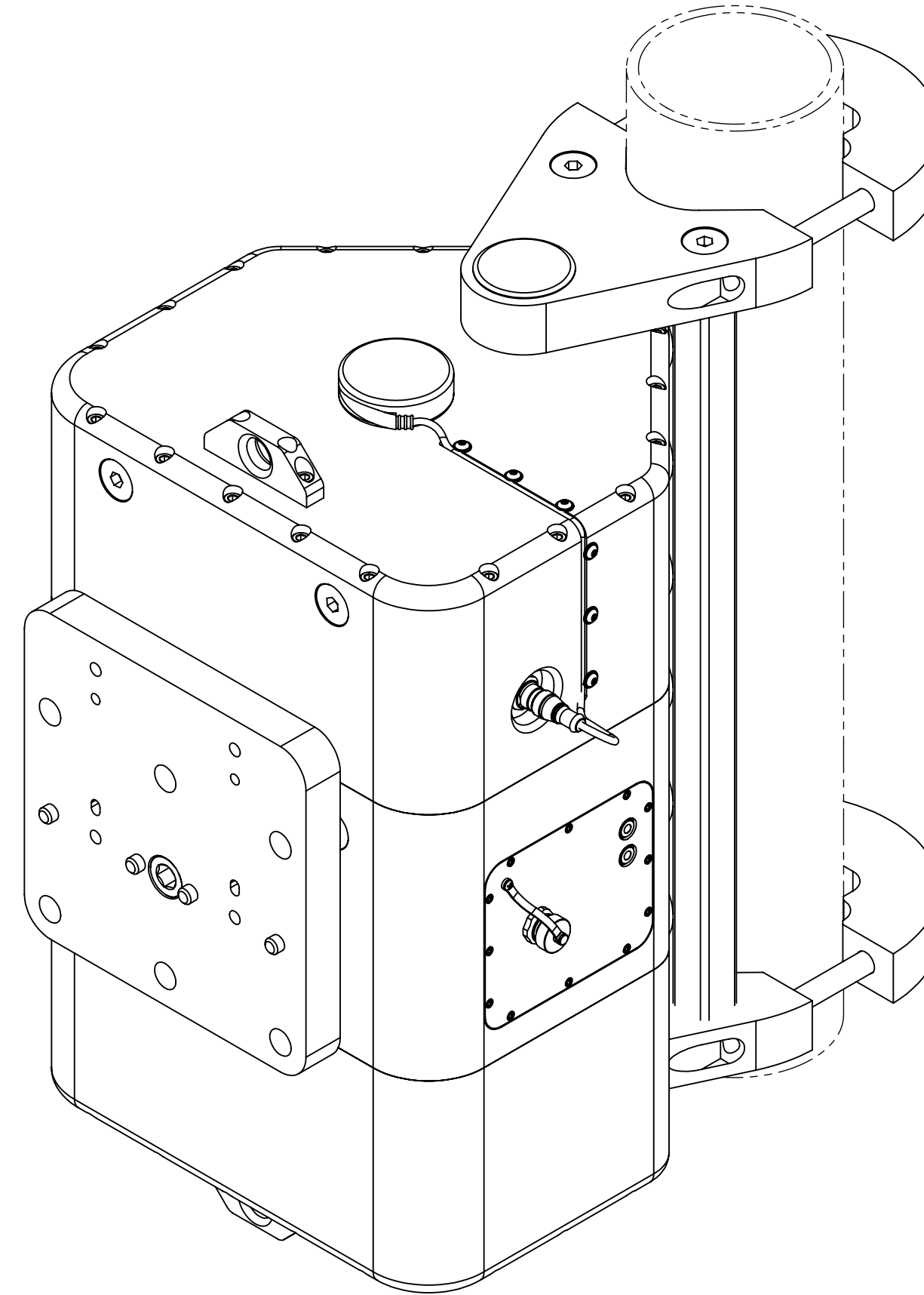
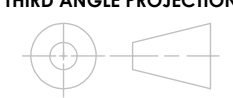
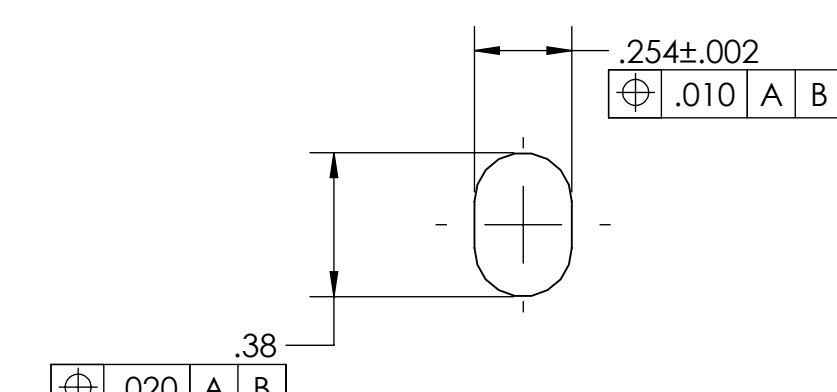
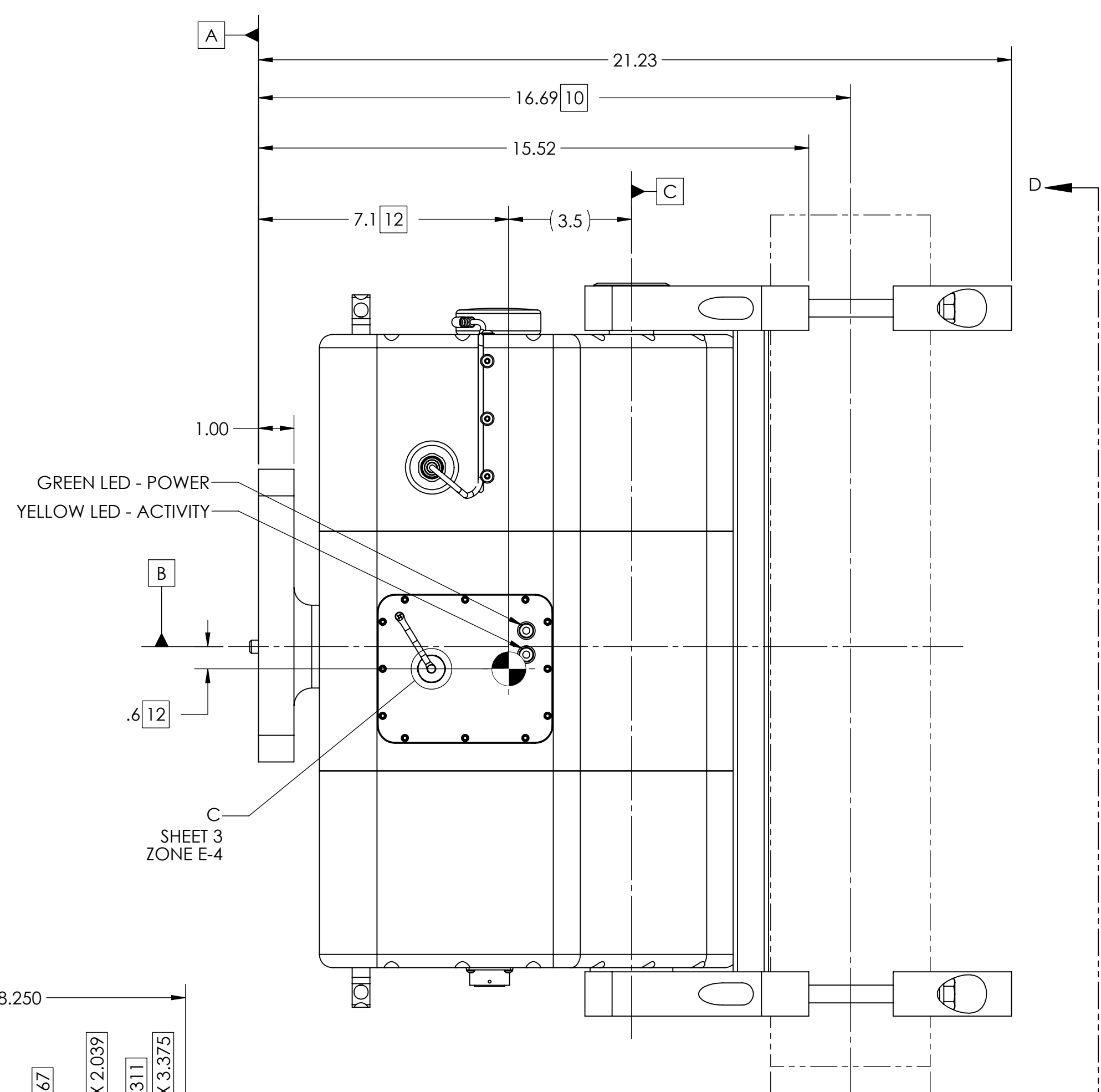
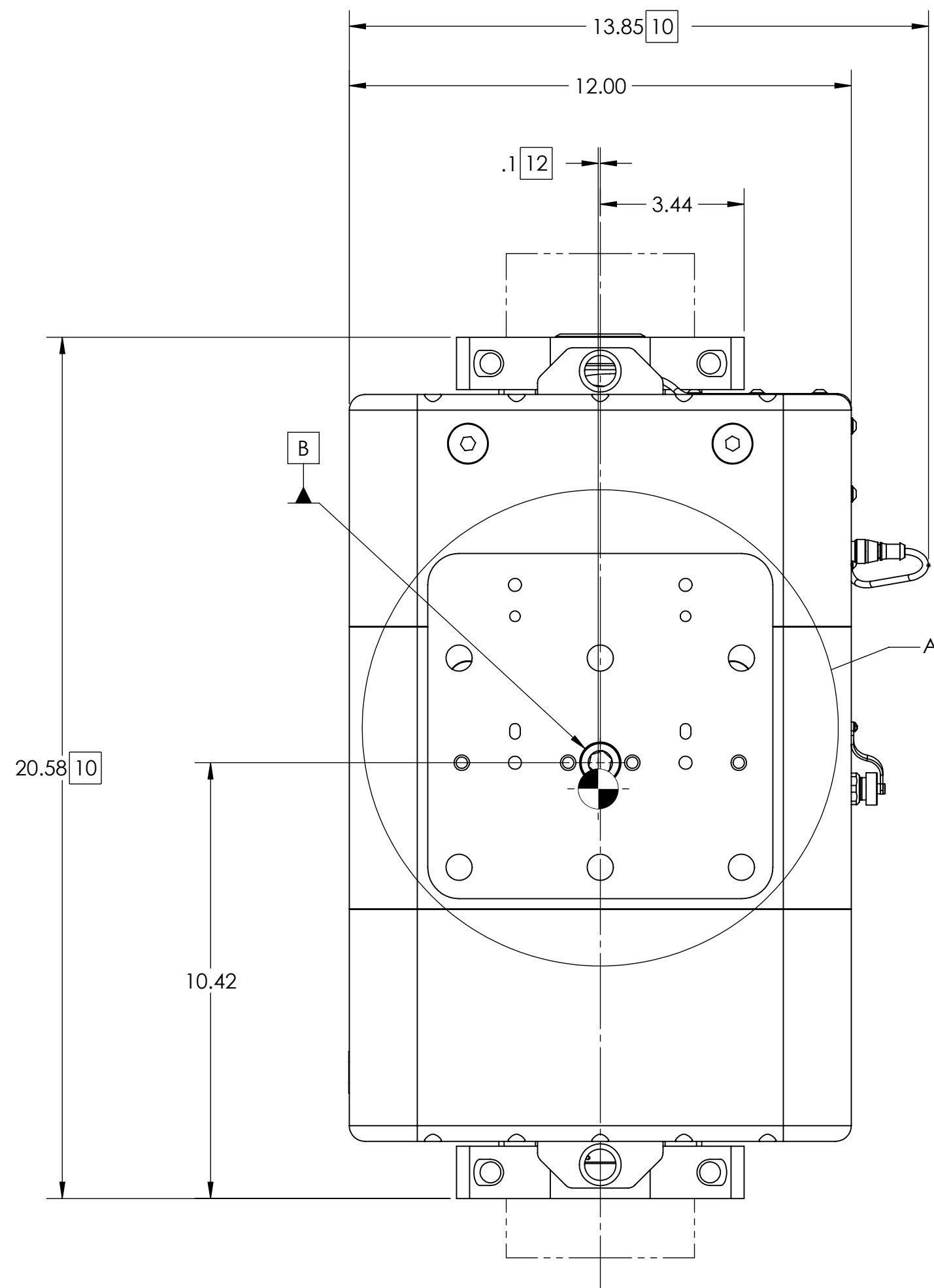
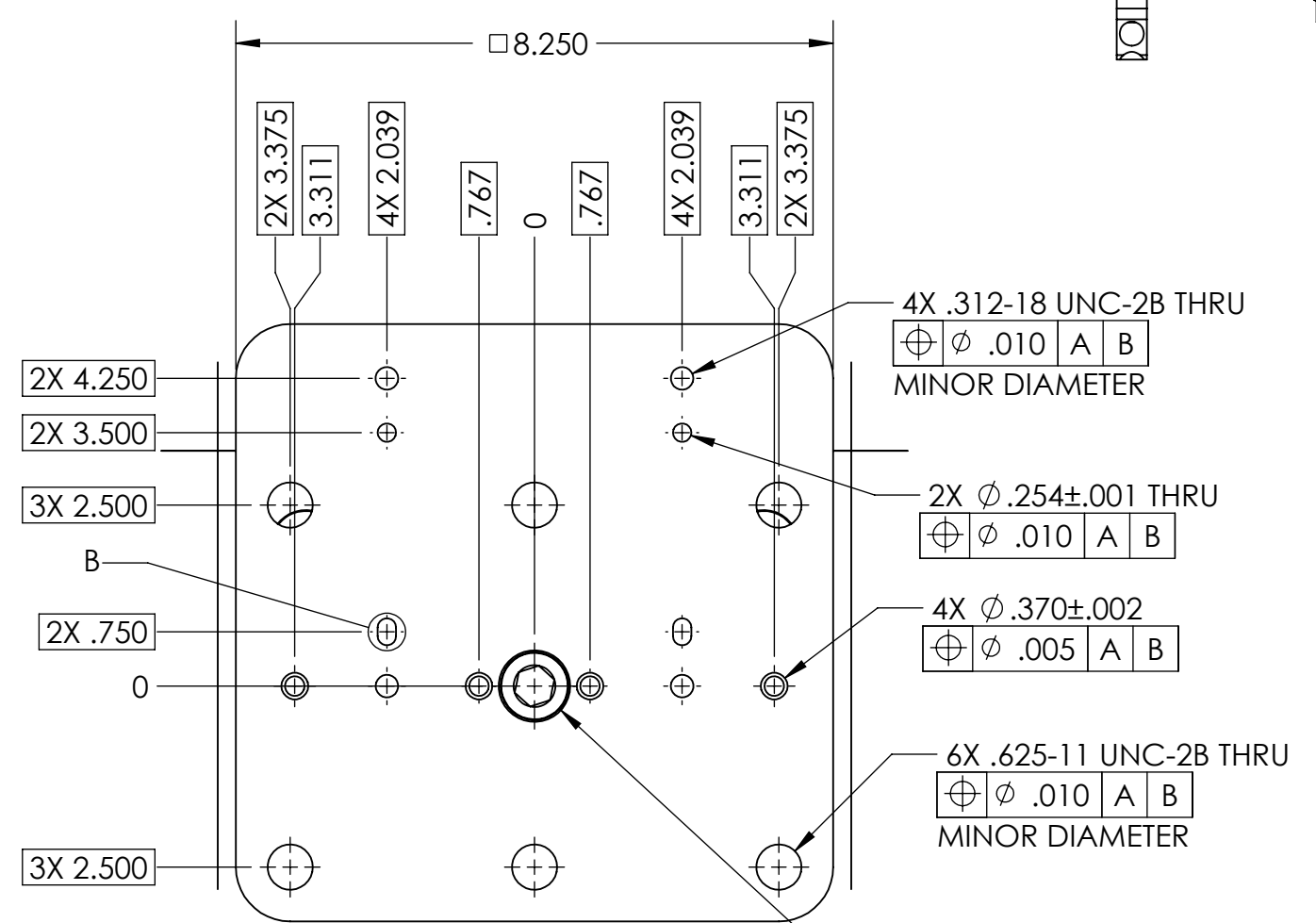


TABLE I	
BUILDING A PART NUMBER	STANDARD OPTIONS
LA-60EBP - 30 - - 100	<<EXAMPLE
	SHIELDED ETHERNET CABLE STANDARD LENGTHS
	050 = 50 ft
	100 = 100 ft
	150 = 150 ft
	200 = 200 ft
	250 = 250 ft
	300 = 300 ft
	XXX = Custom length in feet
	XXXC = Add "C" to end of cable length for unterminated mating connector
	CUSTOM CONFIGURATION
	= Standard options - leave blank
	MOTOR DRIVES AND PAYLOAD
	30 = Az 100 ft-lbs @ 0.1°/s, El 100 ft-lbs @ 0.1°/s, 200 lb payload.
	Typically paired with 3 ft side arm mount antenna
	MODEL
	LA-60EBP = LinkAlign-60EBP (+/-30° azimuth, +/-30° elevation)

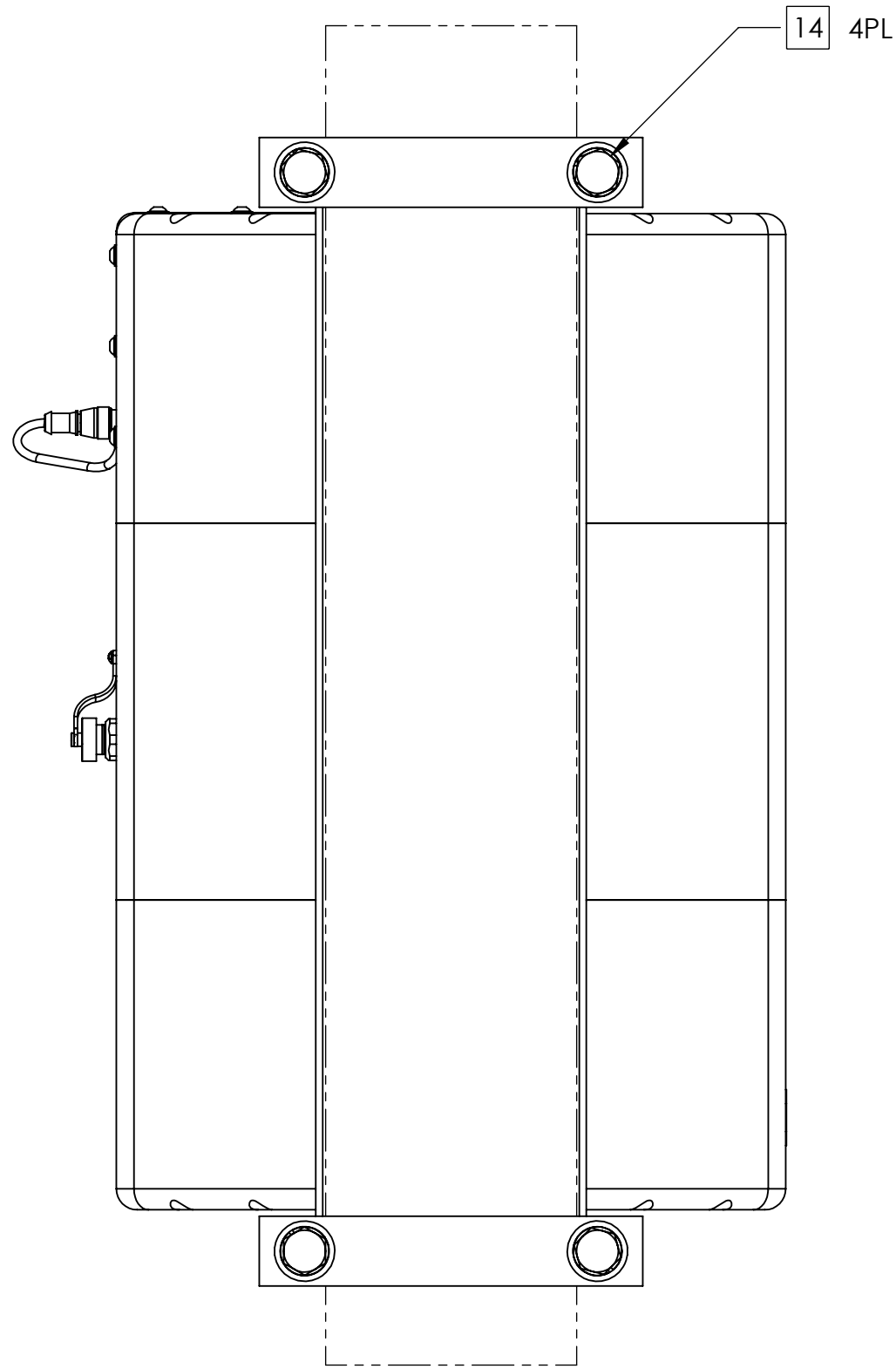
SYMBOL KEY <input type="checkbox"/> NOTE <input type="checkbox"/> PL ITEMS PROPRIETARY AND CONFIDENTIAL THE INFORMATION CONTAINED IN THIS DRAWING IS THE SOLE PROPERTY OF NEXTMOVE TECHNOLOGIES. ANY REPRODUCTION IN PART OR AS A WHOLE WITHOUT THE WRITTEN PERMISSION OF NEXTMOVE TECHNOLOGIES IS PROHIBITED. NEXTMOVE TECHNOLOGIES, LLC MILFORD, NH 03055 www.nextmove.tech.com	UNLESS OTHERWISE SPECIFIED: DIMENSIONS ARE IN INCHES TOLERANCES: ANGLE ± .5 DEGREES TWO PLACE DECIMAL ±.030 THREE PLACE DECIMAL ±.010 INTERPRET DIM AND TOL PER ASME Y14.5M - 1994 THIRD ANGLE PROJECTION  DO NOT SCALE DRAWING	DRAWN C. CHEYNE 2018-05-01 CHECKED S. CHEYNE 2018-05-01 ME APPR. C. CHEYNE 2018-05-01 EE APPR.	NEXTMOVE TECHNOLOGIES TITLE: LINKALIGN-60EBP-30 INTERFACE CONTROL DRAWING
		PART NO. SEE TABLE I	SIZE DWG. NO. REV C ICDN900498 C



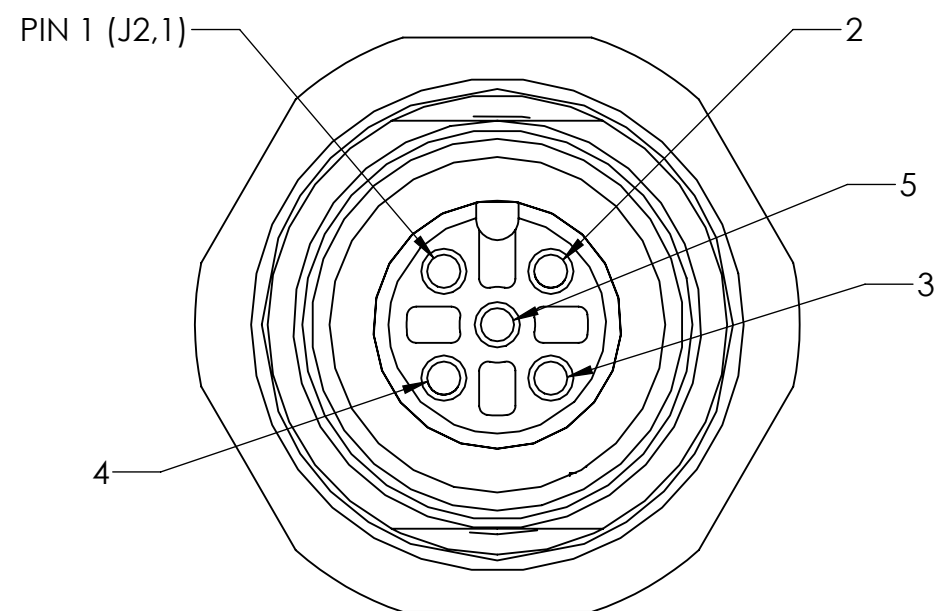
DETAIL B
SCALE 2 : 1
2 PLACES



DETAIL A
SCALE 2 : 5
ANTENNA MOUNTING FEATURES



VIEW D-D
SHEET 2
ZONE B-1

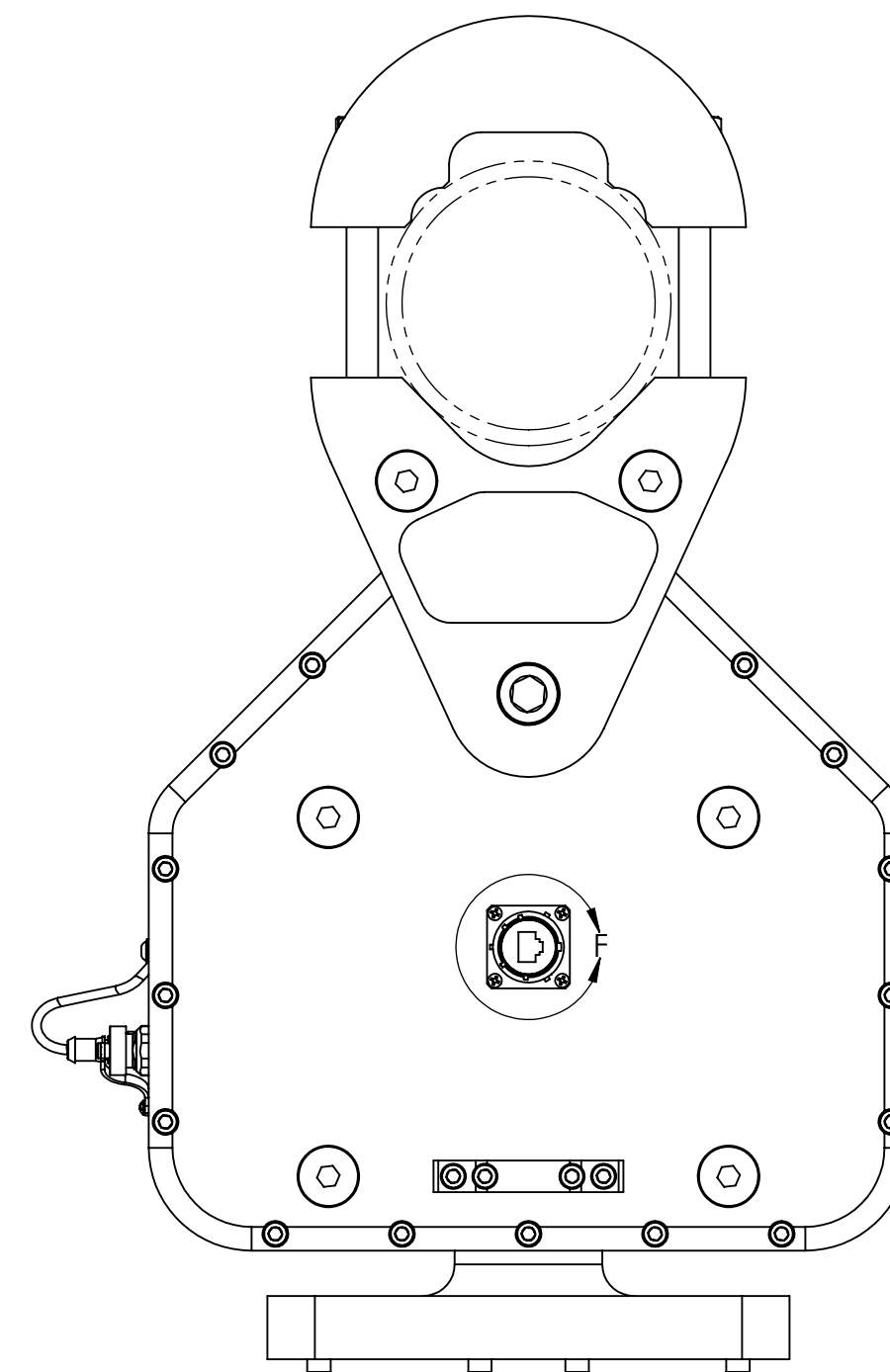


INTERCONNECT FOR SERIAL/OPTIONAL PELCO-D JOYSTICK INTERFACE

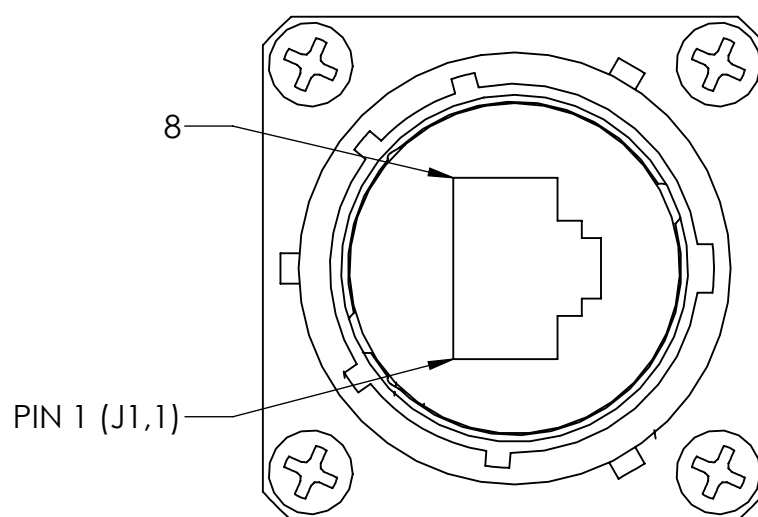
J2 CONNECTOR SHOWN FROM MATING SIDE
MATES WITH TURCK P/N 8151-0/PG9
CONNECTOR DUST CAP NOT SHOWN

DETAIL C
SCALE 4 : 1
SHEET 2
ZONE C-4
SEE TABLE III FOR PINOUT DETAILS
SCALE 4 : 1

TABLE III (SERIAL CONNECTOR)	
CONNECTOR DESIGNATION	FUNCTION
J2.1	DC RETURN FOR NEXTMOVE JOYSTICK
J2.2	NOT USED
J2.3	(B) TxD-/RxD- DATA LINE
J2.4	(A) TxD+/RxD+ DATA LINE
J2.5	DC POWER FOR NEXTMOVE JOYSTICK



VIEW E-E



INTERCONNECT FOR POSITIONER PoE

J1 CONNECTOR SHOWN FROM MATING SIDE
MATES WITH AMPHENOL P/N - RJF6B

DETAIL F
SCALE 2 : 1
SEE TABLE II FOR PINOUT DETAILS

TABLE II (PoE CONNECTOR)	
CONNECTOR DESIGNATION	FUNCTION
J1.1	DATA PAIR 1
J1.2	DATA PAIR 1
J1.3	DATA PAIR 2
J1.4	+48-56VDC PoE POWER INPUT
J1.5	+48-56VDC PoE POWER INPUT
J1.6	DATA PAIR 2
J1.7	DC RETURN FOR PoE INPUT
J1.8	DC RETURN FOR PoE INPUT