

REV	DESCRIPTION	DATE	APPROVED
B	CN600564	2018-08-02	CLC

NOTES: UNLESS OTHERWISE SPECIFIED

- LINKALIGN-360FER-20 CONFIGURABLE OPTIONS PER TABLE I. PART NUMBER LA-360FER-20-100 SHOWN THROUGHOUT THIS DRAWING. PoE CABLE SHOWN NOT TO SCALE
- USE INTERFACE CONTROL DRAWING IN CONJUNCTION WITH DATASHEET AS DENOTED IN TABLE II
- 48 - 56VDC POWER SUPPLY INCLUDED WITH POSITIONER. NOT SHOWN IN DRAWING
- HARD COAT ANODIZE ALUMINUM CONSTRUCTION WITH STAINLESS STEEL HARDWARE
- 400° (+/-200°) AZIMUTH TRAVEL WITH 2.2°/SEC DRIVE RATE (NO LOAD)
- 140° (+120°/-20°) ELEVATION TRAVEL WITH 2.2°/SEC DRIVE RATE (NO LOAD)
- 22° TO 140°F (-30° TO 60°C) OPERATIONAL TEMPERATURE RANGE. -40 TO 158°F (-40 TO 70°C) NON-OPERATIONAL TEMPERATURE RANGE
- 0.1° FEEDBACK RESOLUTION IN ALL AXES
- AZIMUTH AND ELEVATION BACKLASH LESS THAN 0.15°
- 13.08" (33.2 cm) HIGH X 8.59" (21.8 cm) WIDE X 12.38" (31.4 cm) DEEP. DIMENSIONS APPLY WHEN POSITIONER IS AT 0° AZIMUTH AND 0° ELEVATION ANGLES
- WEIGHT APPROXIMATELY 23.5 LBS (10.7 kg) NOT INCLUDING PoE CABLE
- PAYLOAD SHALL NOT EXCEED 70 LBS OR 60 FT-LBS OF TORQUE ABOUT THE ELEVATION AXIS. TO CALCULATE TORQUE, TAKE THE DISTANCE FROM THE PAYLOAD CENTER OF GRAVITY TO DATUM -H- IN FEET AND MULTIPLY BY THE PAYLOAD WEIGHT. SEVERAL ANTENNA BRACKET OPTIONS AVAILABLE THAT INTERFACE DIRECTLY WITH FEATURES SHOWN. GO TO www.nextmovetech.com TO LEARN MORE
- RADIO OR AUXILIARY MOUNTING HOLES (BOTH SIDES). 30 LBS MAX. IF MOUNTED TO THE ELEVATION BRACKET, TOTAL PAYLOAD (INCLUDING ANTENNA) MUST NOT EXCEED 60 FT-LBS
- CENTER OF GRAVITY 0.1" (0.25 cm) IN THE X-DIRECTION, 6.6" (16.8 cm) IN THE Y-DIRECTION AND 0.6" (1.5 cm) IN THE Z-DIRECTION. X & Z MEASURED FROM THE CENTER OF THE 2.00" DIAMETER MOUNTING POLE
- FOR PERMANENT INSTALLATIONS, IT IS RECOMMENDED THAT THE (2) INDICATED 5/16-18 THREADED KNOBS BE REPLACED WITH (2) 5/16-18 X 1.000" LONG STAINLESS STEEL HEX HEAD FASTENERS. HARDWARE PROVIDED WITH UNIT. TORQUE TO 132 IN-LBS
- POSITIONER IS AT AZIMUTH PEDESTAL 0° WHEN INDICATED FASTENER IS AT POSITION SHOWN WITH CLAMPING KNOBS IN THE BACK AS SHOWN
- POSITIONER CLAMPS TO STANDARD 2" OUTSIDE DIAMETER MAST (NOT INCLUDED). OPTIONAL MIDMOUNT KIT AVAILABLE TO ADAPT TO MAST DIAMETERS UP TO 6". GO TO www.nextmovetech.com TO LEARN MORE
- 5/16" QUICK RELEASE PIN TO SECURE POSITIONER TO MAST AND PREVENT ROTATION

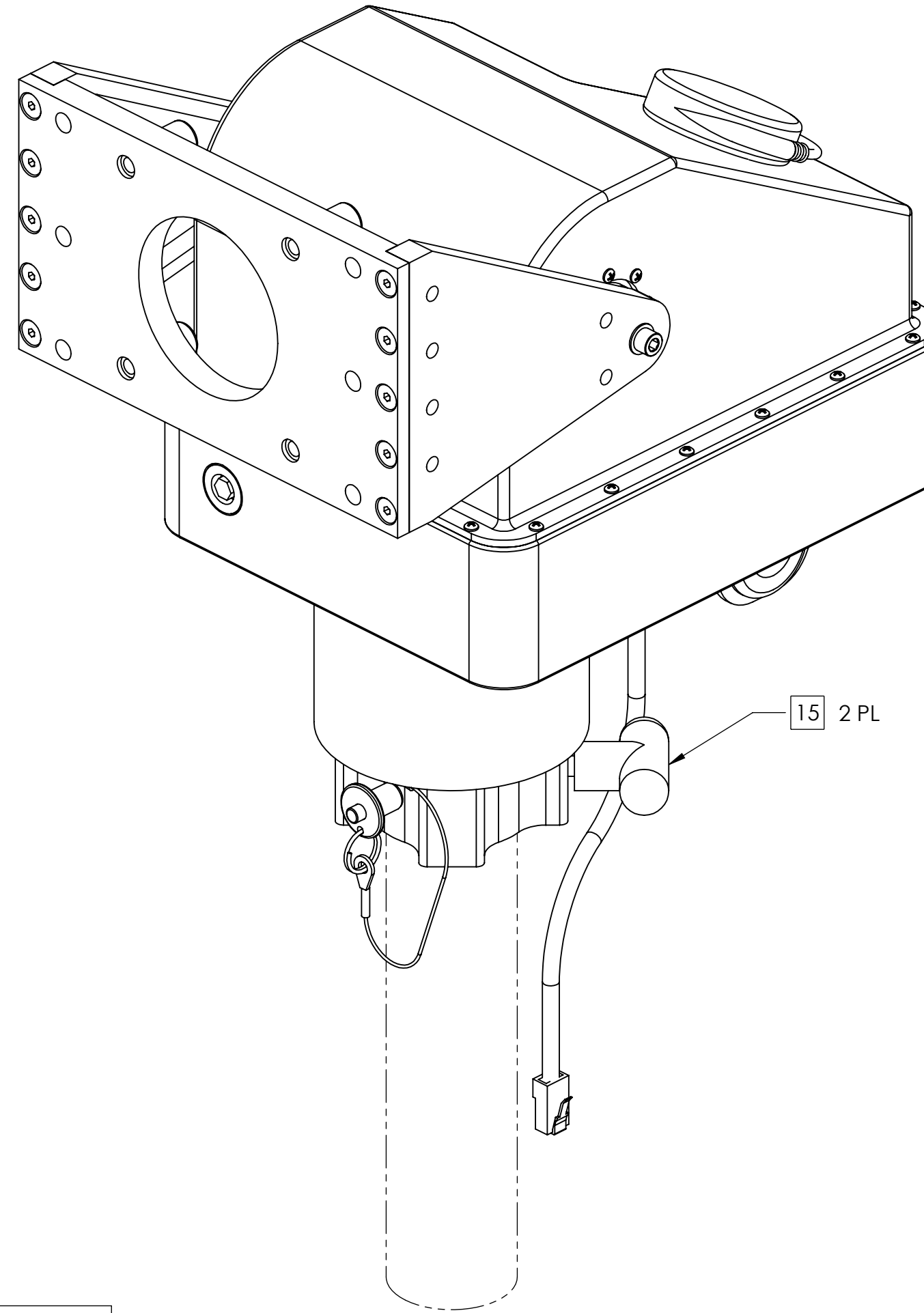
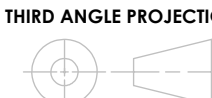


TABLE I	
BUILDING A PART NUMBER	STANDARD OPTIONS
LA-360FER - 20 - - 100	<<EXAMPLE
	SHIELDED ETHERNET CABLE STANDARD LENGTHS
	050 = 50 ft
	100 = 100 ft
	150 = 150 ft
	200 = 200 ft
	250 = 250 ft
	300 = 300 ft
	XXX = Custom length in feet
	XXXC = Add "C" to end of cable length for unterminated mating connector
	CUSTOM CONFIGURATION
	= Standard options - leave blank
	MOTOR DRIVES AND PAYLOAD
	20 = Az 60 ft-lbs @ 2.2°/s, El 60 ft-lbs @ 2.2°/s, 70 lb payload. Typically paired with 2-3 ft antenna
	21 = Az 30 ft-lbs @ 13°/s, El 60 ft-lbs @ 2.2°/s, 70 lb payload. Typically paired with 2-3 ft antenna
	MODEL
	LA-360FER = LinkAlign-360FER (+/-200° azimuth, +120/-20° elevation)

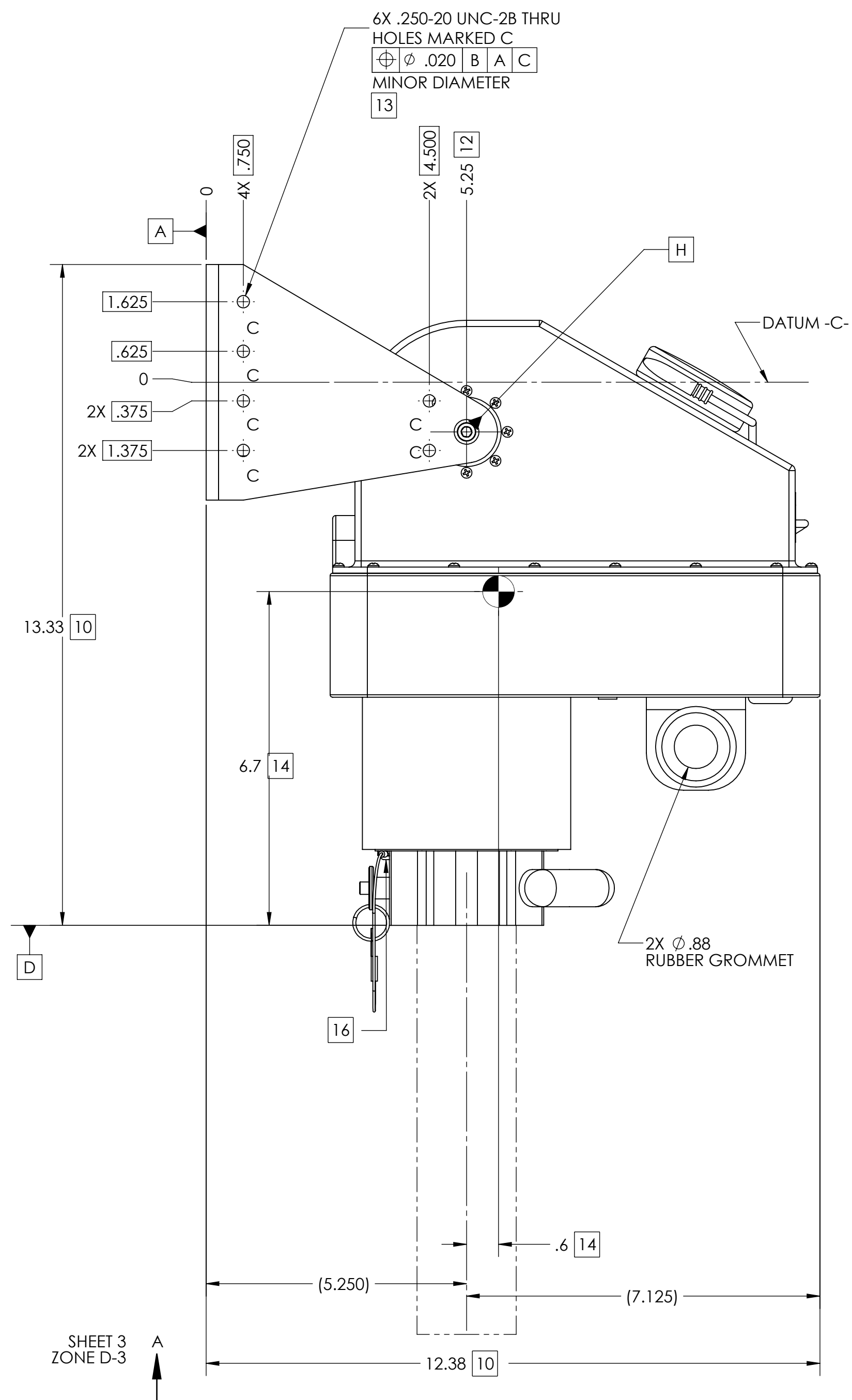
TABLE II	
PART NUMBER	DATASHEET NUMBER
LA-360FER-20	N500120
LA-360FER-21	N500149

SYMBOL KEY <input type="checkbox"/> NOTE <input type="checkbox"/> PL ITEMS PROPRIETARY AND CONFIDENTIAL THE INFORMATION CONTAINED IN THIS DRAWING IS THE SOLE PROPERTY OF NEXTMOVE TECHNOLOGIES. ANY REPRODUCTION IN PART OR AS A WHOLE WITHOUT THE WRITTEN PERMISSION OF NEXTMOVE TECHNOLOGIES IS PROHIBITED. NEXTMOVE TECHNOLOGIES, LLC HOLLIS, NH 03049 www.nextmovetech.com	UNLESS OTHERWISE SPECIFIED: DIMENSIONS ARE IN INCHES TOLERANCES: ANGLE ± 5 DEGREES TWO PLACE DECIMAL ±.030 THREE PLACE DECIMAL ±.010 INTERPRET DIM AND TOL PER ASME Y14.5M - 1994 THIRD ANGLE PROJECTION  DO NOT SCALE DRAWING	DRAWN S. CHEYNE 2015-10-15 CHECKED C. CHEYNE 2018-08-02 ME APPR. S. CHEYNE 2015-10-15 EE APPR.	NEXTMOVE TECHNOLOGIES TITLE: LINKALIGN-360FER-20 INTERFACE CONTROL DRAWING
		PART NO. SEE TABLE I	SIZE DWG. NO. REV C ICDN900346 B
		SCALE: 1:2	SHEET 1 OF 4

B

B

A



6X .250-20 UNC-2B THRU
HOLES MARKED C
 ± 0.020 B A C
MINOR DIAMETER
13

DATUM -C-

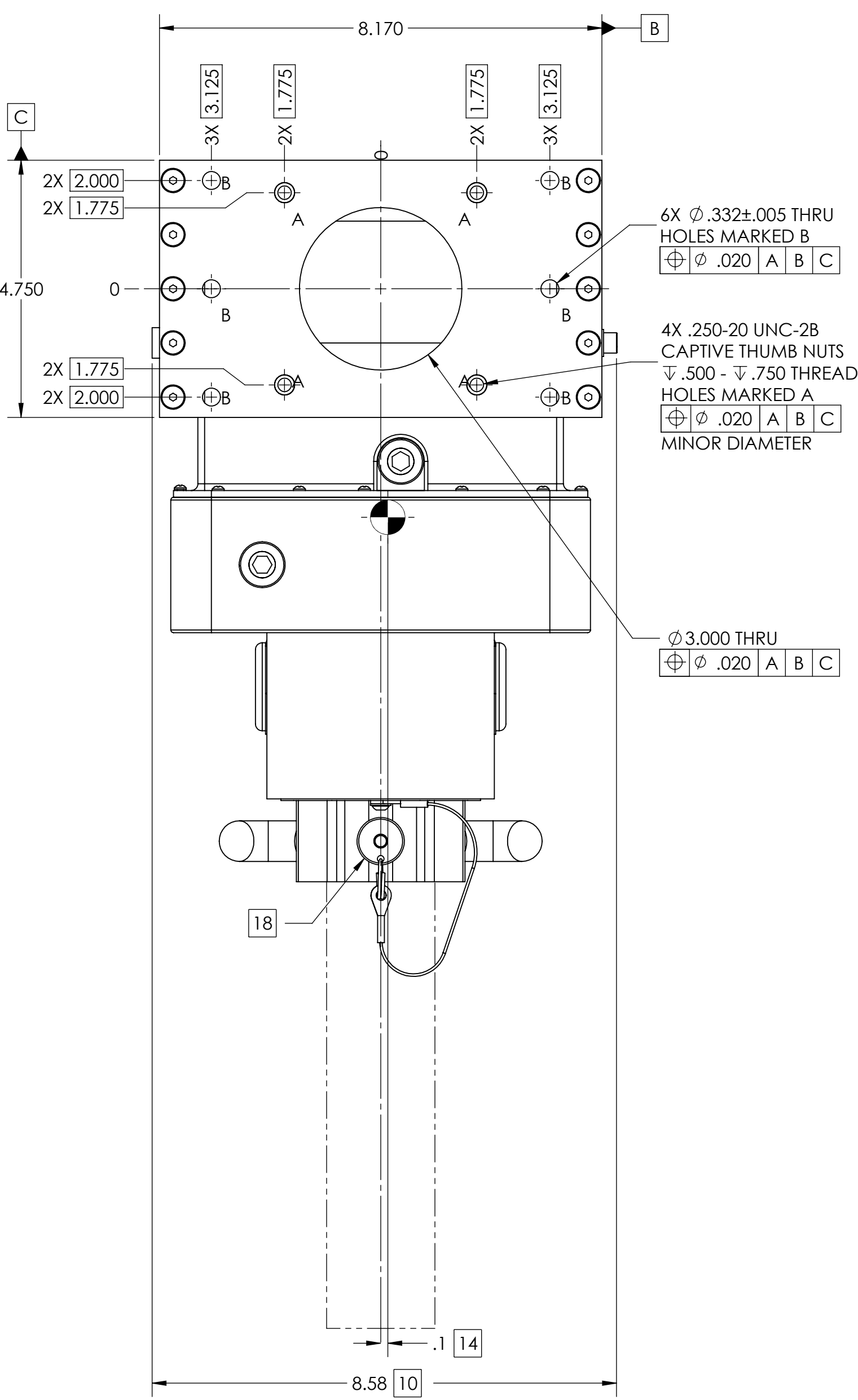
2X $\phi .88$
RUBBER GROMMET

SHEET 3
ZONE D-3

RADIO OR AUXILIARY MOUNTING FEATURES

13

F
E
D
C
B
A



6X $\phi .332 \pm .005$ THRU
HOLES MARKED B
 ± 0.020 A B C

4X .250-20 UNC-2B
CAPTIVE THUMB NUTS
 $\nabla .500 - \nabla .750$ THREAD
HOLES MARKED A
 ± 0.020 A B C
MINOR DIAMETER

$\phi 3.000$ THRU
 ± 0.020 A B C

ANTENNA MOUNTING FEATURES

12

4X .250-20 UNC-2B
 ▽.375 MIN THREAD
 HOLES MARKED E

⊕	⊕	A	B	C
⊕	⊕	A		

MINOR DIAMETER
 13

INTERCONNECT FOR
 OPTIONAL POLARIZATION
 ROTATOR (LA-360POL-1)

⌀ 2.000±.040
 ⌀ .375 THRU
 3.000±.020

E
 ⌀ 2.050 X ▽ 3.75 17

SECTION A-A
 SHEET 2
 ZONE A-3

4X .250-20 UNC-2B
 ▽.375 MIN THREAD
 HOLES MARKED D

⊕	⊕	D	E
---	---	---	---

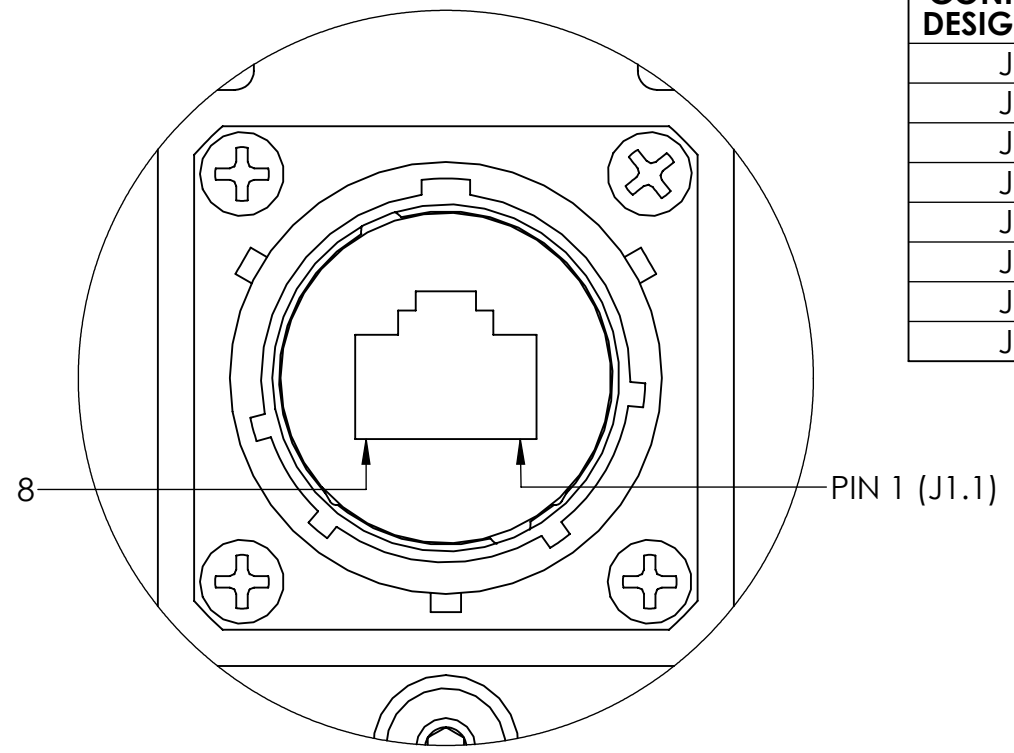
MINOR DIAMETER

SUGGESTED POSITIONER
 MAST DIMENSIONS

17

SECTION B-B
 SHEET 2
 ZONE F-1

INTERCONNECT FOR POSITIONER PoE

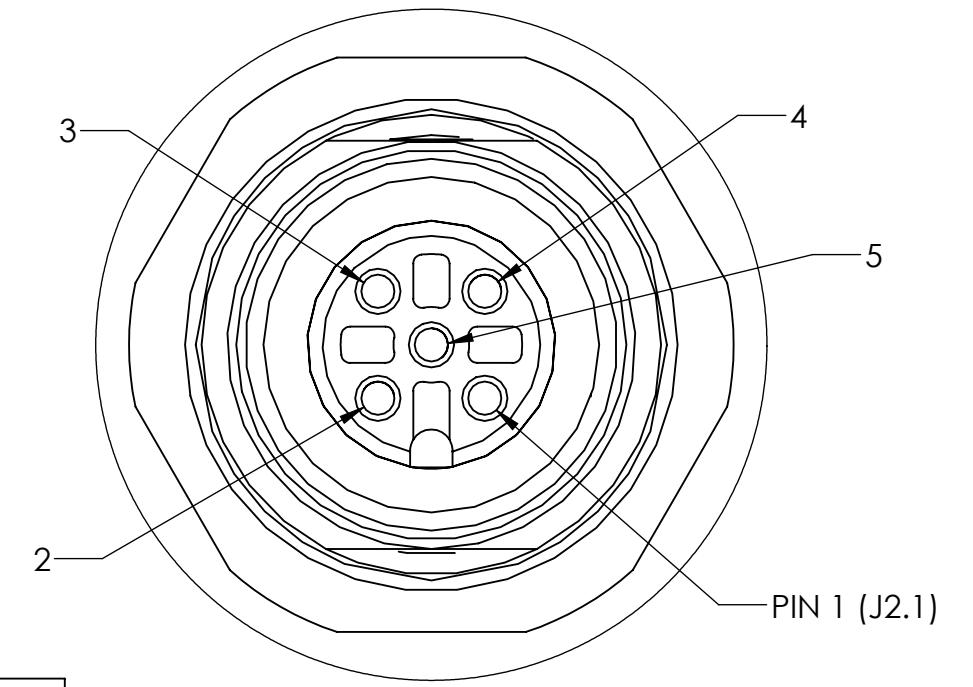


J1 CONNECTOR SHOWN FROM MATING SIDE
 MATES WITH AMPHENOL P/N - RJF6B

DETAIL C
 SCALE 2 : 1
 SEE TABLE II FOR PINOUT DETAILS

TABLE II (PoE CONNECTOR)	
CONNECTOR DESIGNATION	FUNCTION
J1.1	DATA PAIR 1
J1.2	DATA PAIR 1
J1.3	DATA PAIR 2
J1.4	+48-56VDC PoE POWER INPUT
J1.5	+48-56VDC PoE POWER INPUT
J1.6	DATA PAIR 2
J1.7	DC RETURN FOR PoE INPUT
J1.8	DC RETURN FOR PoE INPUT

INTERCONNECT FOR SERIAL INTERFACE



J2 CONNECTOR SHOWN FROM MATING SIDE
 MATES WITH TURCK P/N - 8151-0/PG9

DETAIL D
 SCALE 4 : 1
 SEE TABLE III FOR PINOUT DETAILS

TABLE III (SERIAL CONNECTOR)	
CONNECTOR DESIGNATION	FUNCTION
J2.1	DC RETURN FOR NEXTMOVE JOYSTICK
J2.2	NOT USED
J2.3	(B) TxD-/RxD- DATA LINE
J2.4	(A) TxD+/RxD+ DATA LINE
J2.5	DC POWER FOR NEXTMOVE JOYSTICK

8

7

6

5

4

3

2

1

F

E

D

C

B

A

F

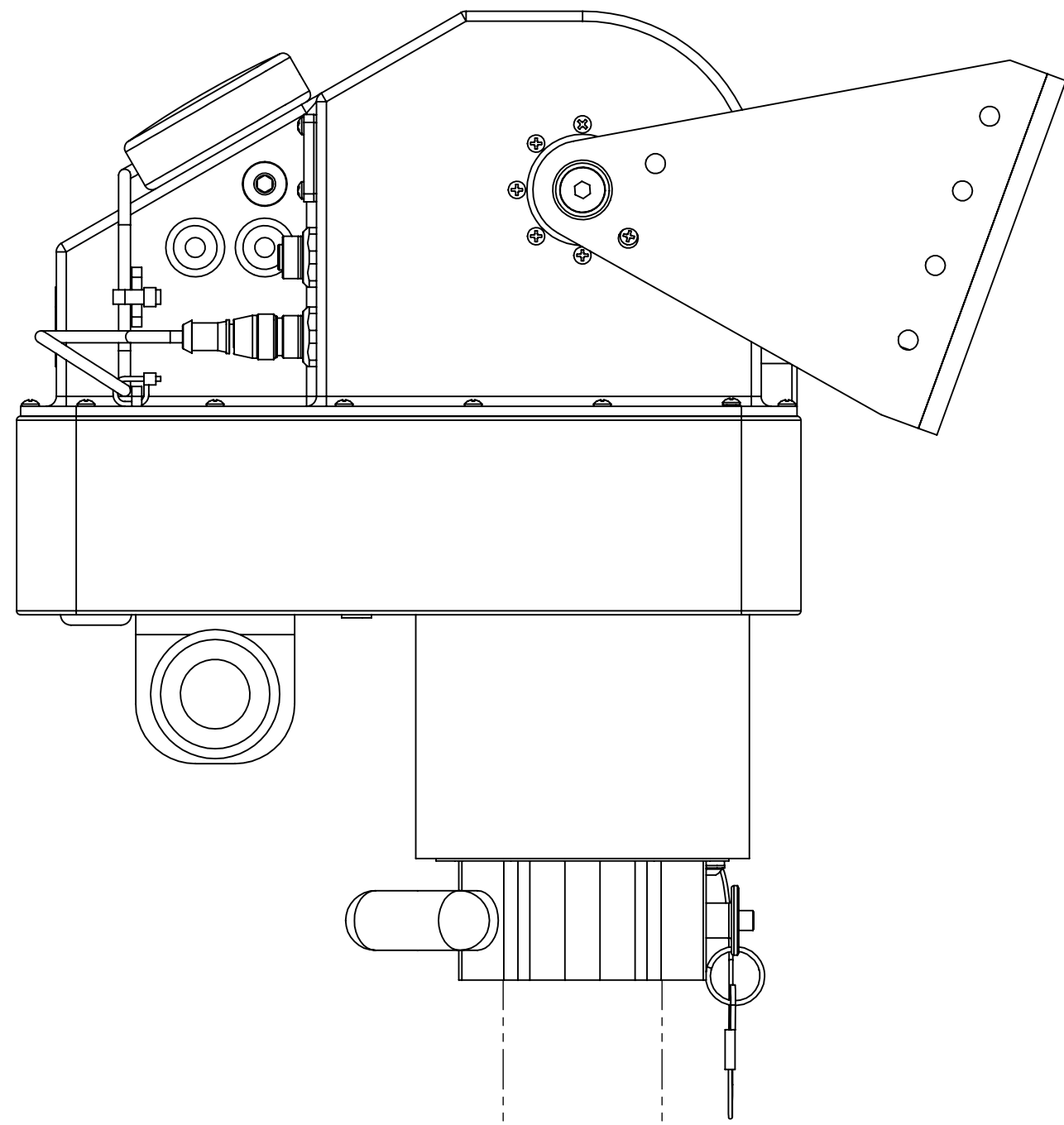
E

D

C

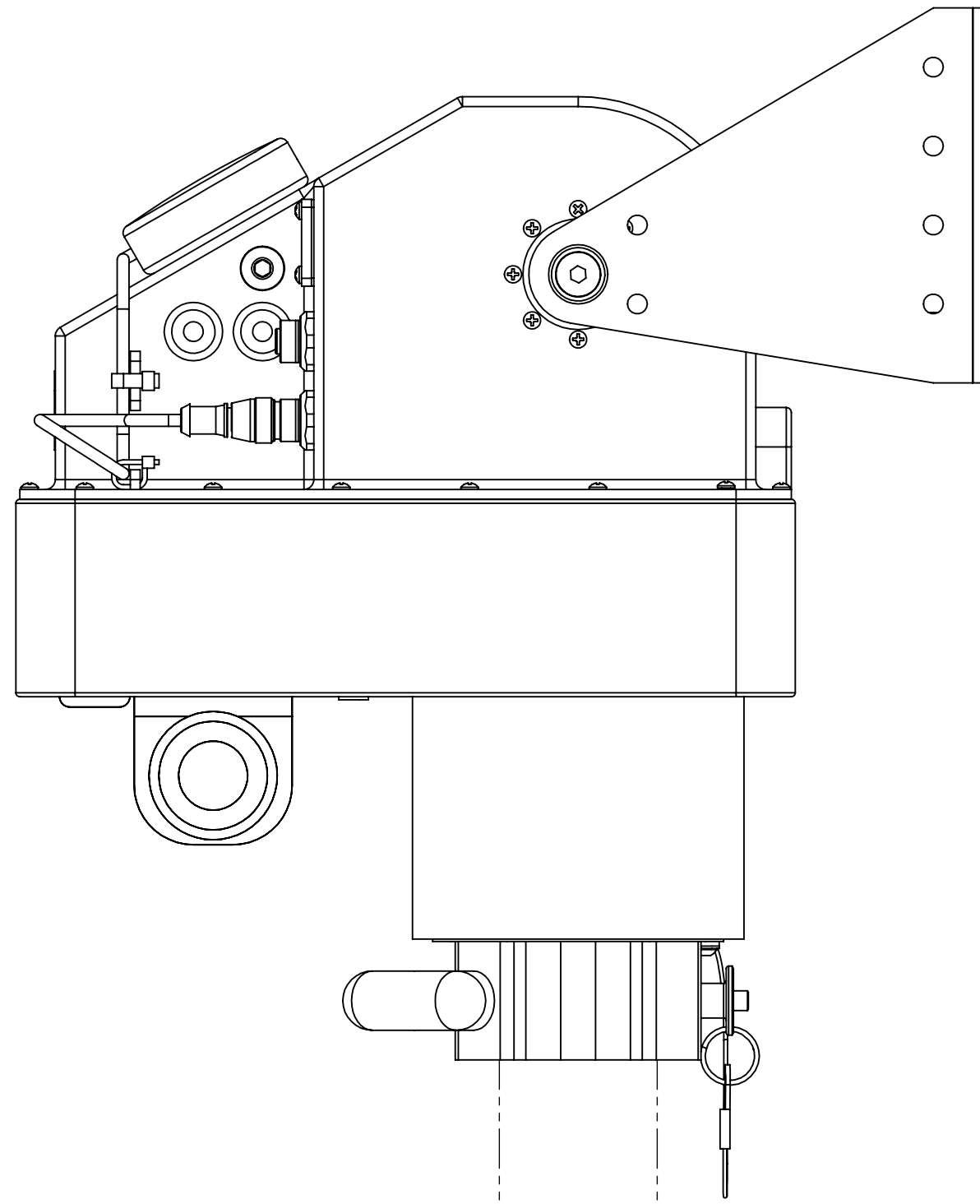
B

A

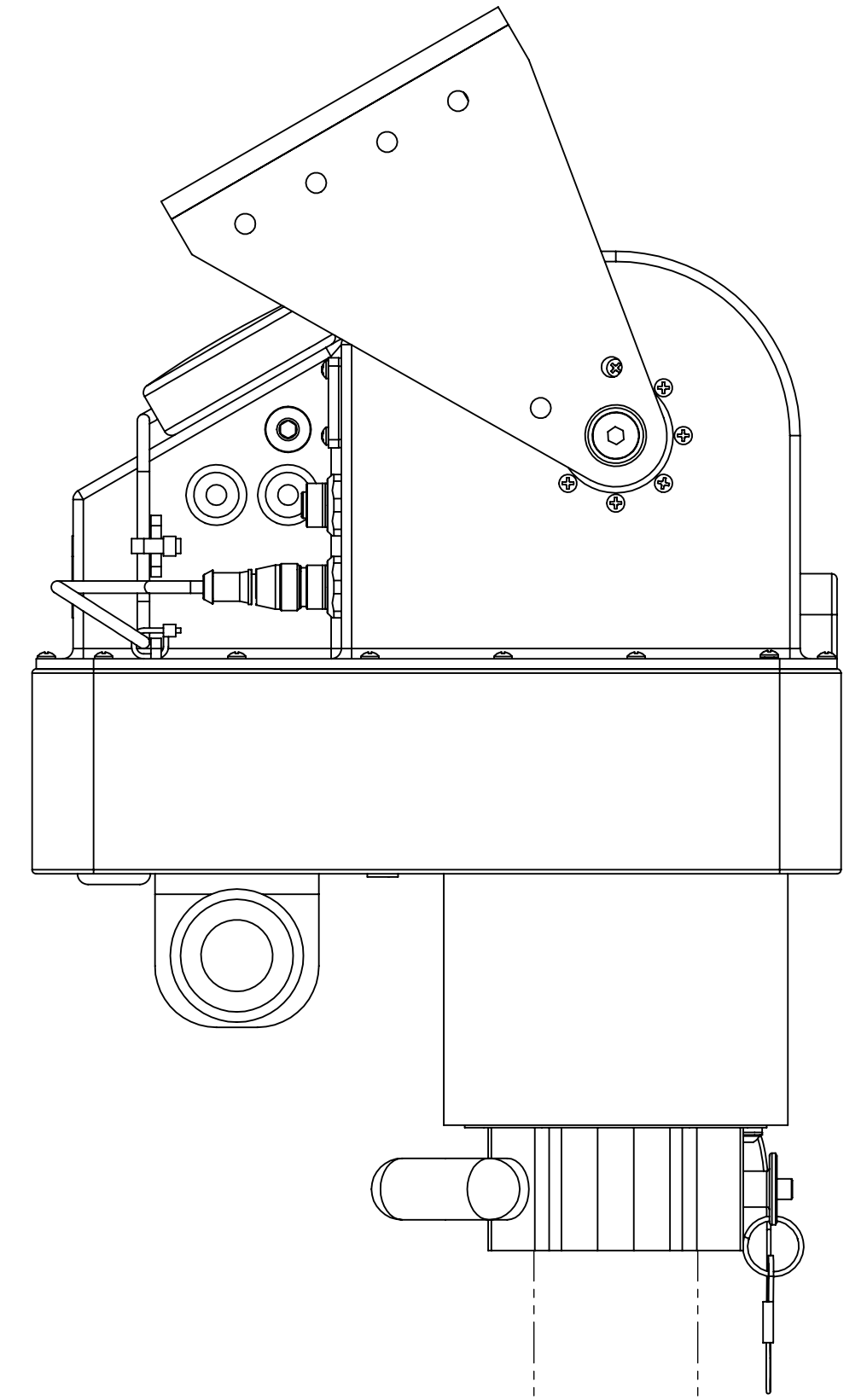


SHOWN AT -20° ELEVATION LIMIT

6



SHOWN AT 0° ELEVATION



SHOWN AT 120° ELEVATION LIMIT

6

8

7

6

5

4

3

2

1