

REV	DESCRIPTION	DATE	APPROVED
H	CN600594	2018-08-07	CLC

NOTES: UNLESS OTHERWISE SPECIFIED

- LINKALIGN-60LPT-10 CONFIGURABLE OPTIONS PER TABLE I. PART NUMBER LA-60LPT-10-200-100 SHOWN THROUGHOUT THIS DRAWING. PoE CABLE SHOWN NOT TO SCALE
- USE INTERFACE CONTROL DRAWING IN CONJUNCTION WITH DATASHEET N500112
- 48-56VDC POWER SUPPLY INCLUDED WITH POSITIONER. NOT SHOWN IN DRAWING
- HARD COAT ANODIZE ALUMINUM CONSTRUCTION WITH STAINLESS STEEL HARDWARE
- 60° (+/-30°) AZIMUTH TRAVEL WITH 3.0°/SEC DRIVE RATE (NO LOAD)
- 15° (+/-7.5°) ELEVATION TRAVEL WITH 1.5°/SEC DRIVE RATE (NO LOAD)
- 22° TO 140°F (-30° TO 60°C) OPERATIONAL TEMPERATURE RANGE. -40 TO 158°F (-40 TO 70°C) NON-OPERATIONAL TEMPERATURE RANGE
- 0.1° FEEDBACK RESOLUTION IN ALL AXES
- AZIMUTH BACKLASH LESS THAN 2°. ELEVATION BACKLASH LESS THAN 1°
- 15.00" (38.1 cm) HIGH X 13.56" (34.4 cm) WIDE X 13.66" (34.7 cm) DEEP. DEPTH MEASURED TO CENTER OF 2.00" DIAMETER MOUNTING POLE
- WEIGHT APPROXIMATELY 16.0 LBS NOT INCLUDING PoE CABLE AND QUICK MOUNT PLATE ASSEMBLY. WEIGHT APPROXIMATELY 18.5 LBS INCLUDING QUICK MOUNT PLATE ASSEMBLY WITH 2.00" U-BOLTS
- PAYLOAD SHALL NOT EXCEED 20 LBS OR 20 FT-LBS OF TORQUE ABOUT THE ELEVATION AXIS. TO CALCULATE TORQUE, TAKE THE DISTANCE FROM THE PAYLOAD CENTER OF GRAVITY TO DATUM -D- IN FEET AND MULTIPLY BY THE PAYLOAD WEIGHT. SEVERAL ANTENNA BRACKET OPTIONS AVAILABLE THAT INTERFACE DIRECTLY WITH FEATURES SHOWN. GO TO www.nextmovetech.com TO LEARN MORE
- TORQUE INDICATED 3/8-16 NUTS TO 21 FT-LBS
- HANDLE MAY BE USED AS A LIFT POINT
- CENTER OF GRAVITY 0.3" (0.8 cm) IN THE X-DIRECTION, 0.7" (1.8 cm) IN THE Y-DIRECTION AND 6.7" (17.0 cm) IN THE Z-DIRECTION MEASURED FROM THE CENTER OF THE 2.00" DIAMETER MOUNTING POLE
- FOR PERMANENT INSTALLATIONS, IT IS RECOMMENDED THAT THE (4) INDICATED .250-20 THREADED KNOBS BE REPLACED WITH (4) 1/4-20 X .625" LONG STAINLESS STEEL HEX HEAD FASTENERS WITH CORRESPONDING WASHER AND LOCK WASHER. HARDWARE PROVIDED WITH UNIT. TORQUE TO 75 IN-LBS

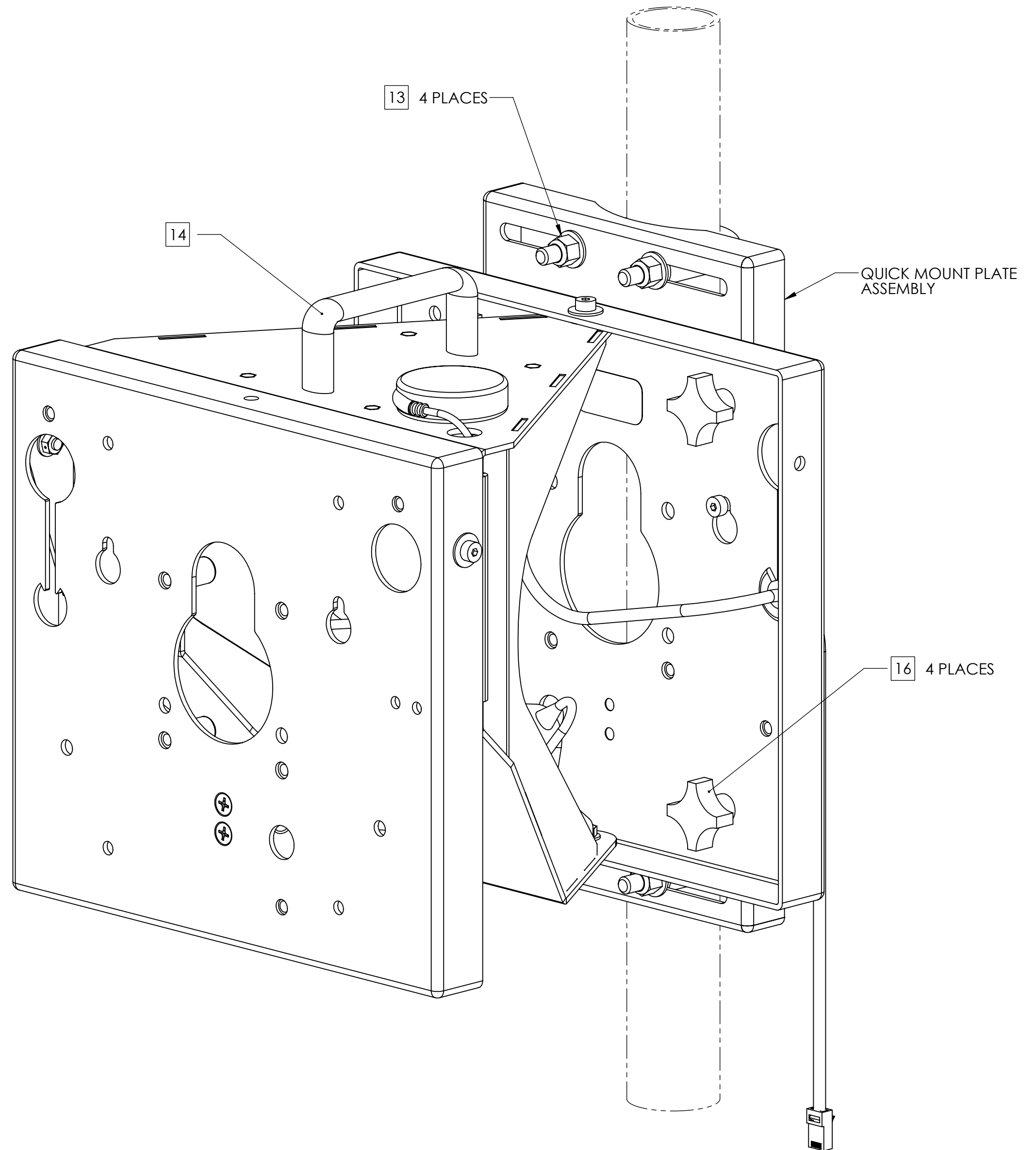
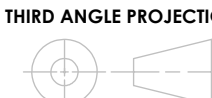
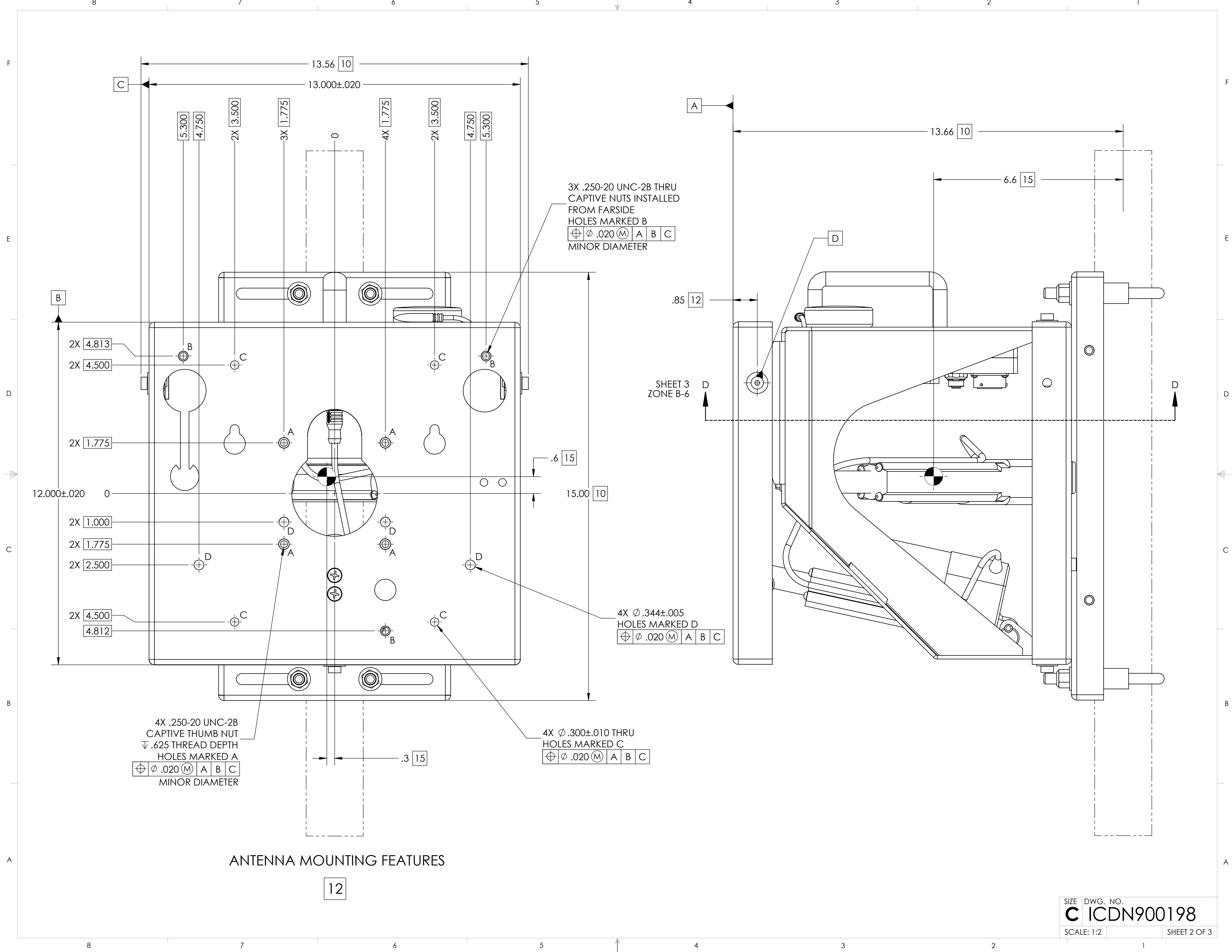


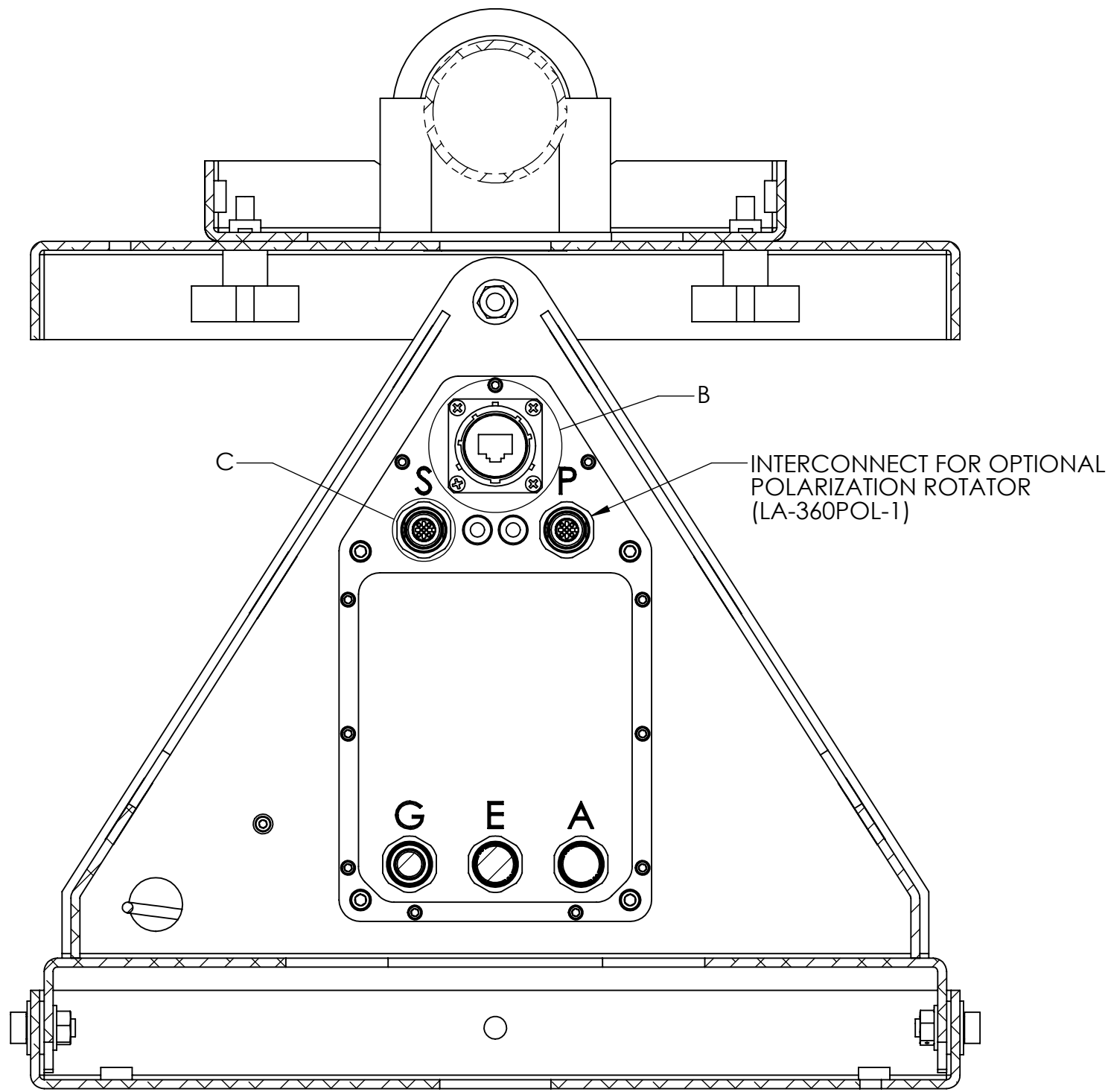
TABLE I	
BUILDING A PART NUMBER	STANDARD OPTIONS
LA-60LPT - 10 - 200 - 100	<<EXAMPLE
	SHIELDED ETHERNET CABLE STANDARD LENGTHS
	050 = 50 ft
	100 = 100 ft
	150 = 150 ft
	200 = 200 ft
	250 = 250 ft
	300 = 300 ft
	XXX = Custom length in feet
	XXXC = Add "C" to end of cable length for unterminated mating connector
	MOUNTING MAST O.D.
	200 = 2.00 in
	225 = 2.25 in
	250 = 2.50 in
	275 = 2.75 in
	300 = 3.00 in
	325 = 3.25 in
	350 = 3.50 in
	400 = 4.00 in
	450 = 4.50 in
	500 = 5.00 in
	550 = 5.50 in
	600 = 6.00 in
	CUSTOM CONFIGURATION
	= Standard options - leave blank
	MOTOR DRIVES AND PAYLOAD
	10 = Az 20 ft-lbs @ 3°/s, El 40 ft-lbs @ 1.5°/s, 20 lb payload. Typically paired with 1-2 ft antenna
	MODEL
	LA-60LPT = LinkAlign-60LPT (+/-30° azimuth, +/-7.5° elevation)

SYMBOL KEY □ NOTE ○ PL ITEMS PROPRIETARY AND CONFIDENTIAL THE INFORMATION CONTAINED IN THIS DRAWING IS THE SOLE PROPERTY OF NEXTMOVE TECHNOLOGIES. ANY REPRODUCTION IN PART OR AS A WHOLE WITHOUT THE WRITTEN PERMISSION OF NEXTMOVE TECHNOLOGIES IS PROHIBITED. NEXTMOVE TECHNOLOGIES, LLC HOLLIS, NH 03049 www.nextmovetech.com	UNLESS OTHERWISE SPECIFIED: DIMENSIONS ARE IN INCHES TOLERANCES: ANGLE ± 5 DEGREES TWO PLACE DECIMAL ±.030 THREE PLACE DECIMAL ±.010 INTERPRET DIM AND TOL PER ASME Y14.5M - 1994 THIRD ANGLE PROJECTION  DO NOT SCALE DRAWING	DRAWN S. CHEYNE 2013-11-04 CHECKED C. CHEYNE 2013-11-04 ME APPR. S. CHEYNE 2013-11-04 EE APPR.	NEXTMOVE TECHNOLOGIES TITLE: LINKALIGN-60LPT-10 INTERFACE CONTROL DRAWING	
		PART NO. SEE TABLE I	SIZE DWG. NO. C ICDN900198	REV H
		SCALE: 1:2	SHEET 1 OF 3	



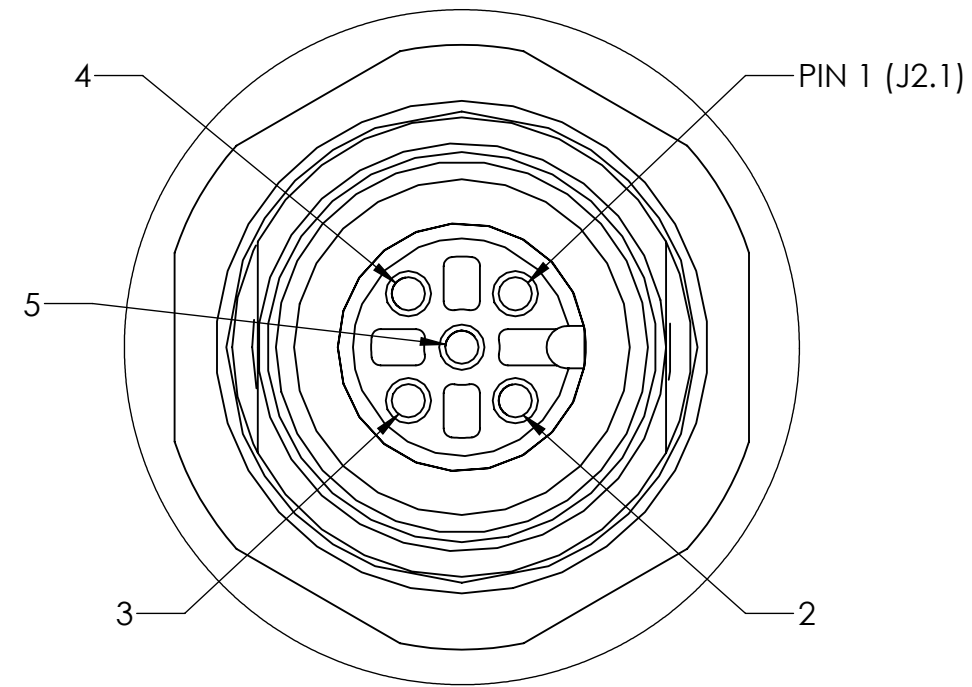
ANTENNA MOUNTING FEATURES

12



SECTION D-D
SHEET 2
ZONE D-4

INTERCONNECTION FOR SERIAL INTERFACE

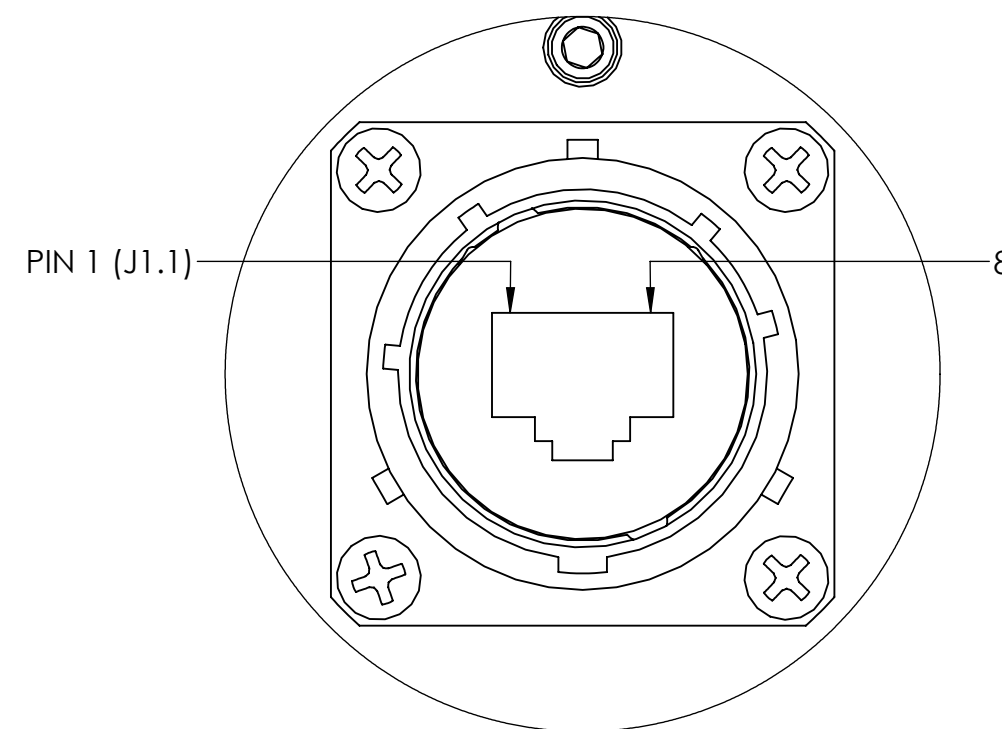


J2 CONNECTOR SHOWN FROM MATING SIDE
MATES WITH TURCK P/N - 8515-0/PG-9

DETAIL C
SCALE 4 : 1
SEE TABLE III FOR PINOUT DETAILS

TABLE III (SERIAL CONNECTOR)	
CONNECTOR DESIGNATION	FUNCTION
J2.1	DC RETURN FOR NEXTMOVE JOYSTICK
J2.2	NOT USED
J2.3	(B) TxD-/RxD- DATA LINE
J2.4	(A) TxD+/RxD+ DATA LINE
J2.5	DC POWER FOR NEXTMOVE JOYSTICK

INTERCONNECT FOR POSITIONER PoE



J1 CONNECTOR SHOWN FROM MATING SIDE
MATES WITH AMPHENOL P/N - RJF6B

DETAIL B
SCALE 2 : 1
SEE TABLE II FOR PINOUT DETAILS

TABLE II (PoE CONNECTOR)	
CONNECTOR DESIGNATION	FUNCTION
J1.1	DATA PAIR 1
J1.2	DATA PAIR 1
J1.3	DATA PAIR 2
J1.4	+48-56VDC PoE POWER INPUT
J1.5	+48-56VDC PoE POWER INPUT
J1.6	DATA PAIR 2
J1.7	DC RETURN FOR PoE INPUT
J1.8	DC RETURN FOR PoE INPUT