

REV	DESCRIPTION	DATE	APPROVED
B	CN600564	2018-07-26	CLC

NOTES: UNLESS OTHERWISE SPECIFIED

1. LINKALIGN-ALTE-01 CONFIGURABLE OPTIONS PER TABLE I. PART NUMBER LA-ALTE-01-020 SHOWN THROUGHOUT THIS DRAWING. RF AND PoE CABLES SHOWN NOT TO SCALE
2. USE INTERFACE CONTROL DRAWING IN CONJUNCTION WITH DATASHEET N500143
3. 48 - 56VDC POWER SUPPLY INCLUDED WITH POSITIONER. NOT SHOWN IN DRAWING
4. HARD COAT ANODIZE ALUMINUM CONSTRUCTION
5. 360° AZIMUTH COVERAGE
6. 55° (+/-27.5°) ELEVATION BEAMWIDTH
7. -22° TO 140°F (-30° TO 60°C) OPERATIONAL TEMPERATURE RANGE. -40 TO 158°F (-40 TO 70°C) NON-OPERATIONAL TEMPERATURE RANGE
- 8 ENVELOPE DIMENSIONS WHEN MOUNTED TO A 2.0" O.D. MAST ARE 20.43" (52.0 cm) OUTSIDE DIAMETER X 10.10" (25.7 cm) HIGH
9. WEIGHT APPROXIMATELY 32 LBS (14.5 kg) NOT INCLUDING PoE CABLE
- 10 CENTER OF GRAVITY 2.4" (6.1 cm) IN THE X-DIRECTION, 0" IN THE Y-DIRECTION AND 5.8" (14.7 cm) IN THE Z-DIRECTION MEASURED FROM THE CORRESPONDING DATUM A OR B
- 11 POSITIONER CLAMPS TO 2" OUTSIDE DIAMETER MAST (NOT INCLUDED)
- 12 TORQUE THE INDICATED POSITIONER CLAMP HARDWARE (5/16-18 ZINC PLATED STEEL NUTS) TO 492 IN-LBS OR 41 FT-LBS
13. OPERATIONAL WIND LOAD SHALL NOT EXCEED 65 MPH

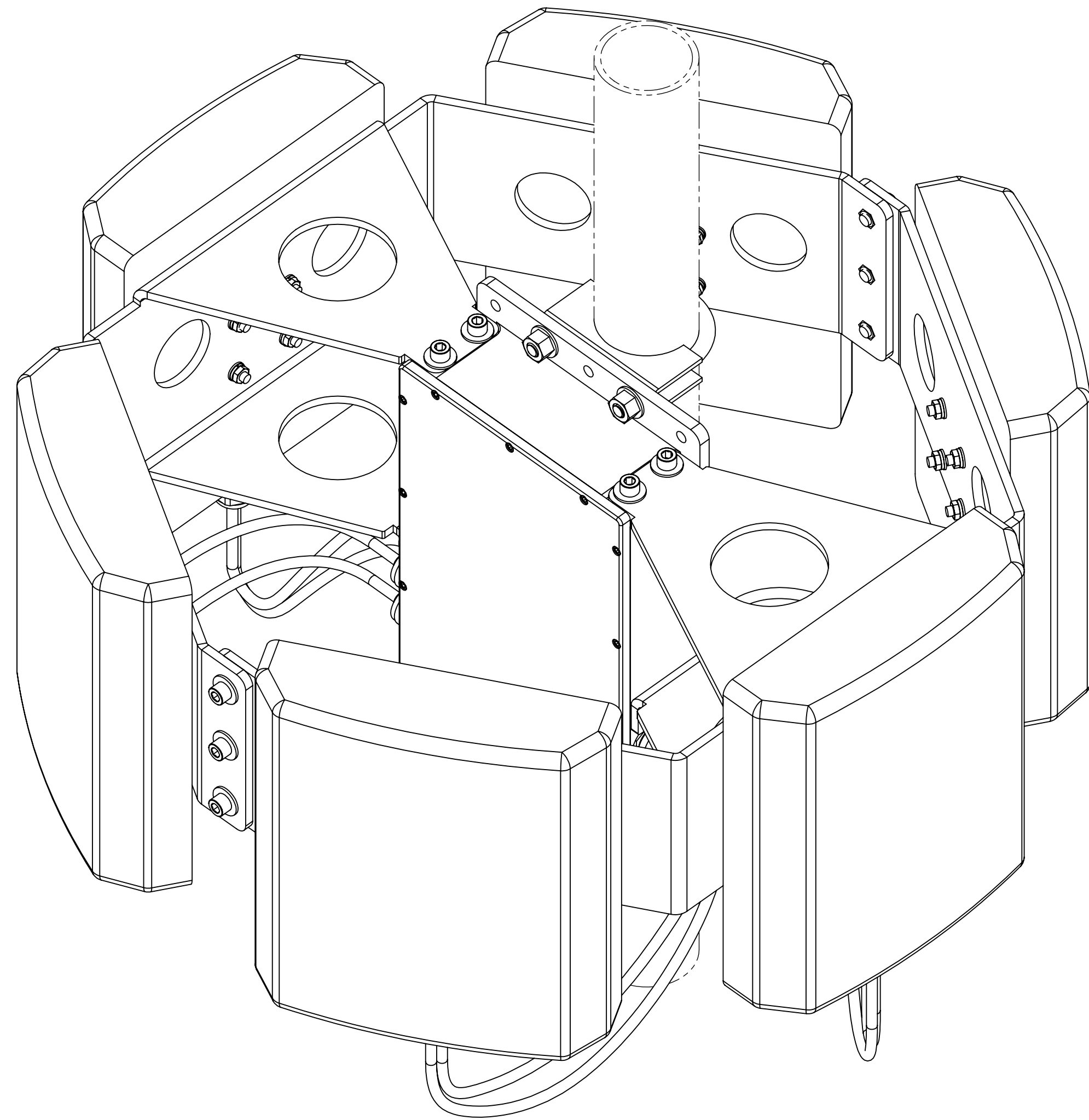
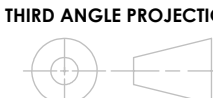
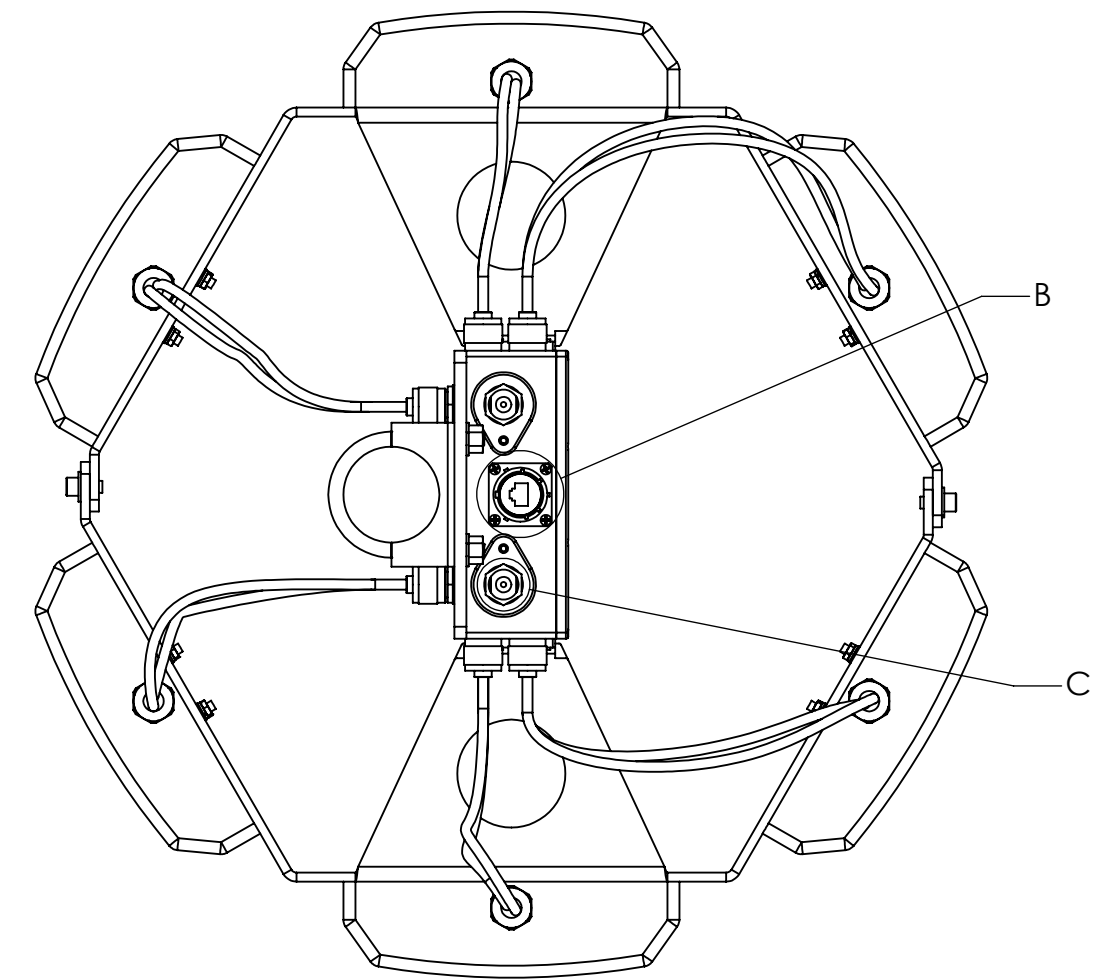
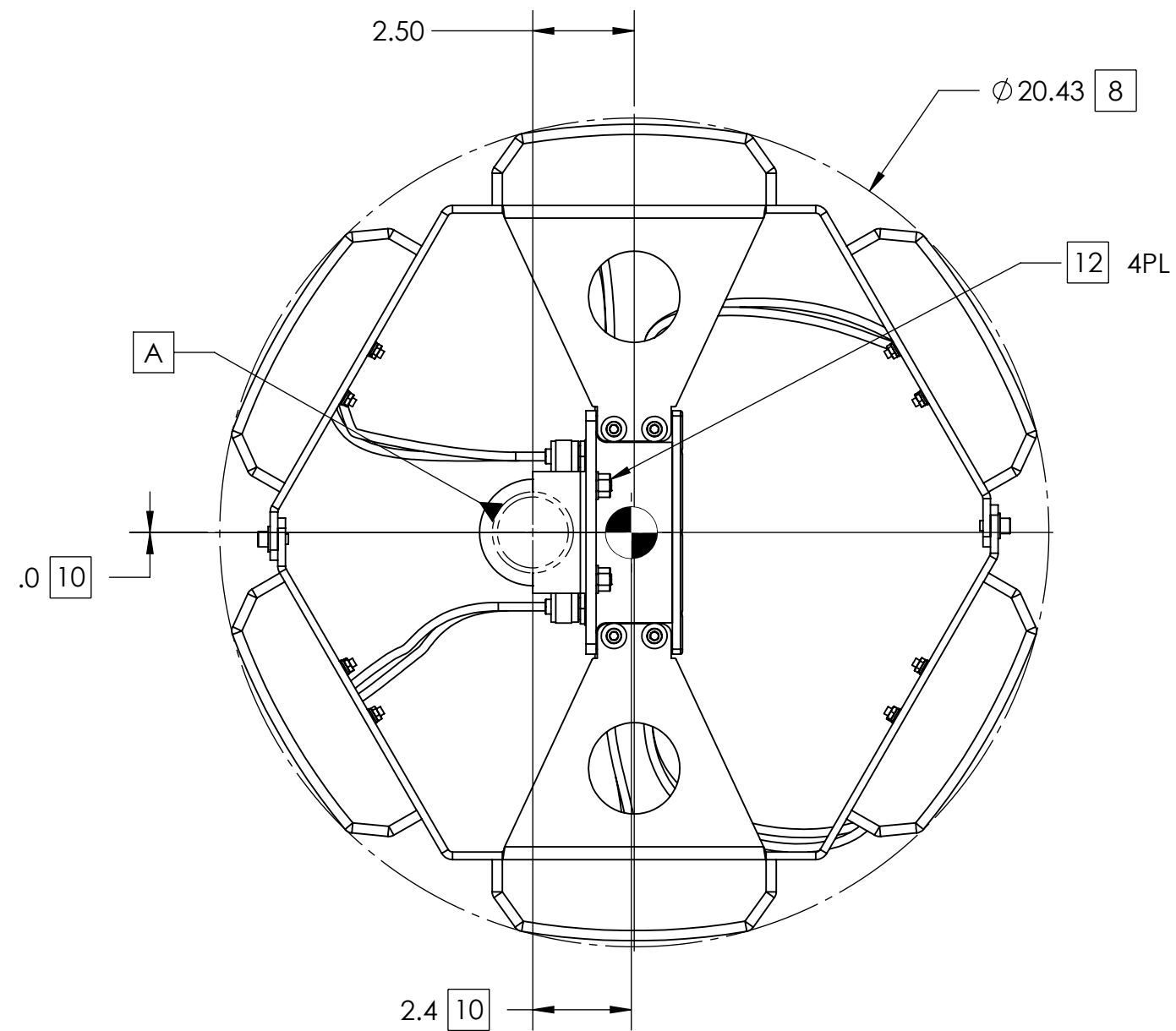
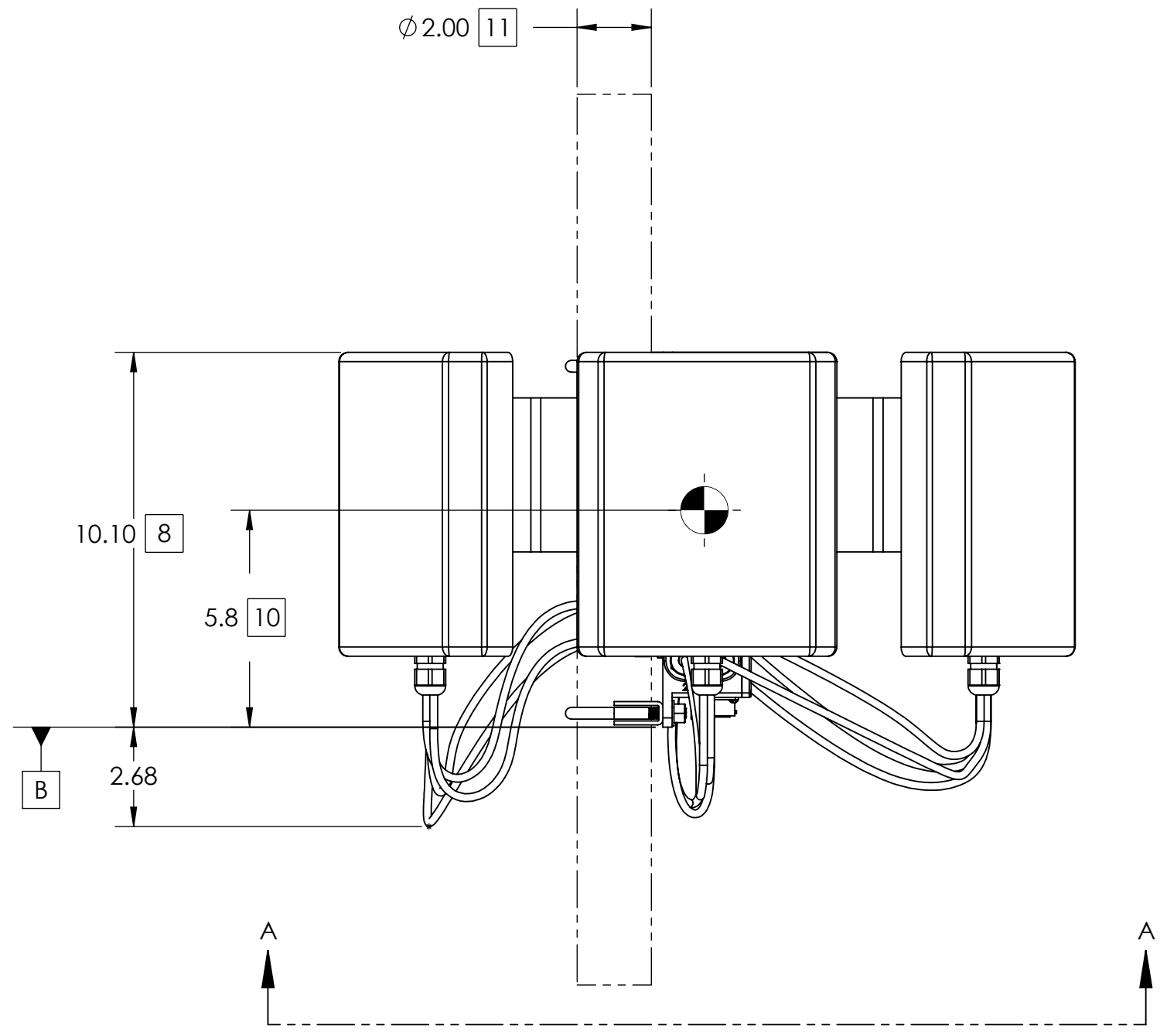


TABLE I	
BUILDING A PART NUMBER	STANDARD OPTIONS
LA-ALTE-01 - - 020	<<EXAMPLE
	SHIELDED ETHERNET & RF CABLE STANDARD LENGTHS
	020 = 20 ft
	050 = 50 ft
	CUSTOM CONFIGURATION
	= Standard options - leave blank
	MODEL
	LA-ALTE-01 = LinkAlign-ALTE-01 (360° azimuth, 55° elevation beamwidth)

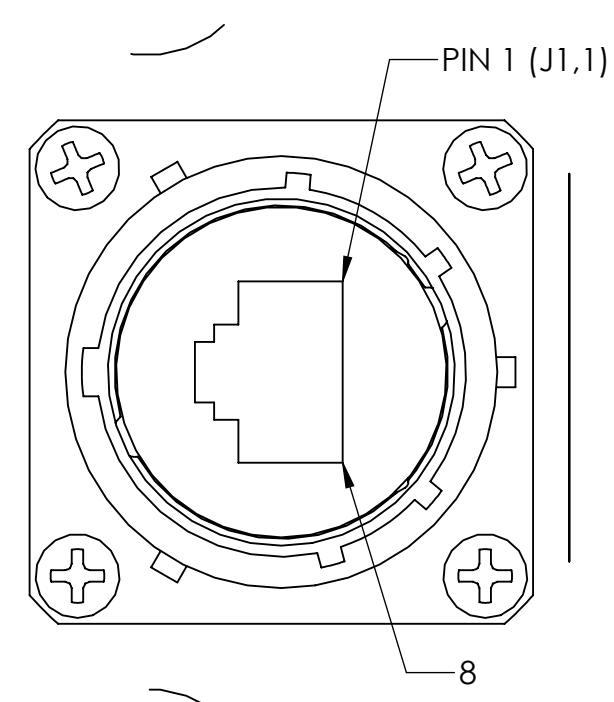
SYMBOL KEY <input type="checkbox"/> NOTE <input type="checkbox"/> PL ITEMS PROPRIETARY AND CONFIDENTIAL THE INFORMATION CONTAINED IN THIS DRAWING IS THE SOLE PROPERTY OF NEXTMOVE TECHNOLOGIES. ANY REPRODUCTION IN PART OR AS A WHOLE WITHOUT THE WRITTEN PERMISSION OF NEXTMOVE TECHNOLOGIES IS PROHIBITED. NEXTMOVE TECHNOLOGIES, LLC MILFORD, NH 03055 www.nextmove.tech.com	UNLESS OTHERWISE SPECIFIED: DIMENSIONS ARE IN INCHES TOLERANCES: ANGLE ± 5 DEGREES TWO PLACE DECIMAL ±.030 THREE PLACE DECIMAL ±.010 INTERPRET DIM AND TOL PER ASME Y14.5M - 1994 THIRD ANGLE PROJECTION  DO NOT SCALE DRAWING	DRAWN C. CHEYNE 2018-06-20 CHECKED S. CHEYNE 2018-06-20 ME APPR. S. CHEYNE 2018-06-20 EE APPR.	NEXTMOVE TECHNOLOGIES TITLE: LINKALIGN-ALTE-01 INTERFACE CONTROL DRAWING
		PART NO. SEE TABLE I	SIZE DWG. NO. REV C ICDN900464 B



VIEW A-A

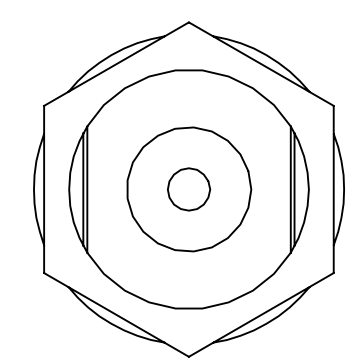


INTERCONNECT FOR POSITIONER PoE



J1 CONNECTOR SHOWN FROM MATING SIDE
MATES WITH AMPHENOL P/N - RJF6B
DETAIL B
SCALE 2 : 1
SEE TABLE II FOR PINOUT POSITIONS

INTERCONNECT FOR RF OUTPUT



J2/J3 CONNECTOR SHOWN FROM MATING SIDE
MATES WITH N-TYPE RF CONNECTOR
DETAIL C
SCALE 2 : 1
2 PLACES

TABLE II (PoE CONNECTOR)	
CONNECTOR DESIGNATION	FUNCTION
J1.1	DATA PAIR 1
J1.2	DATA PAIR 1
J1.3	DATA PAIR 2
J1.4	+48-56VDC PoE POWER INPUT
J1.5	+48-56VDC PoE POWER INPUT
J1.6	DATA PAIR 2
J1.7	DC RETURN FOR PoE INPUT
J1.8	DC RETURN FOR PoE INPUT