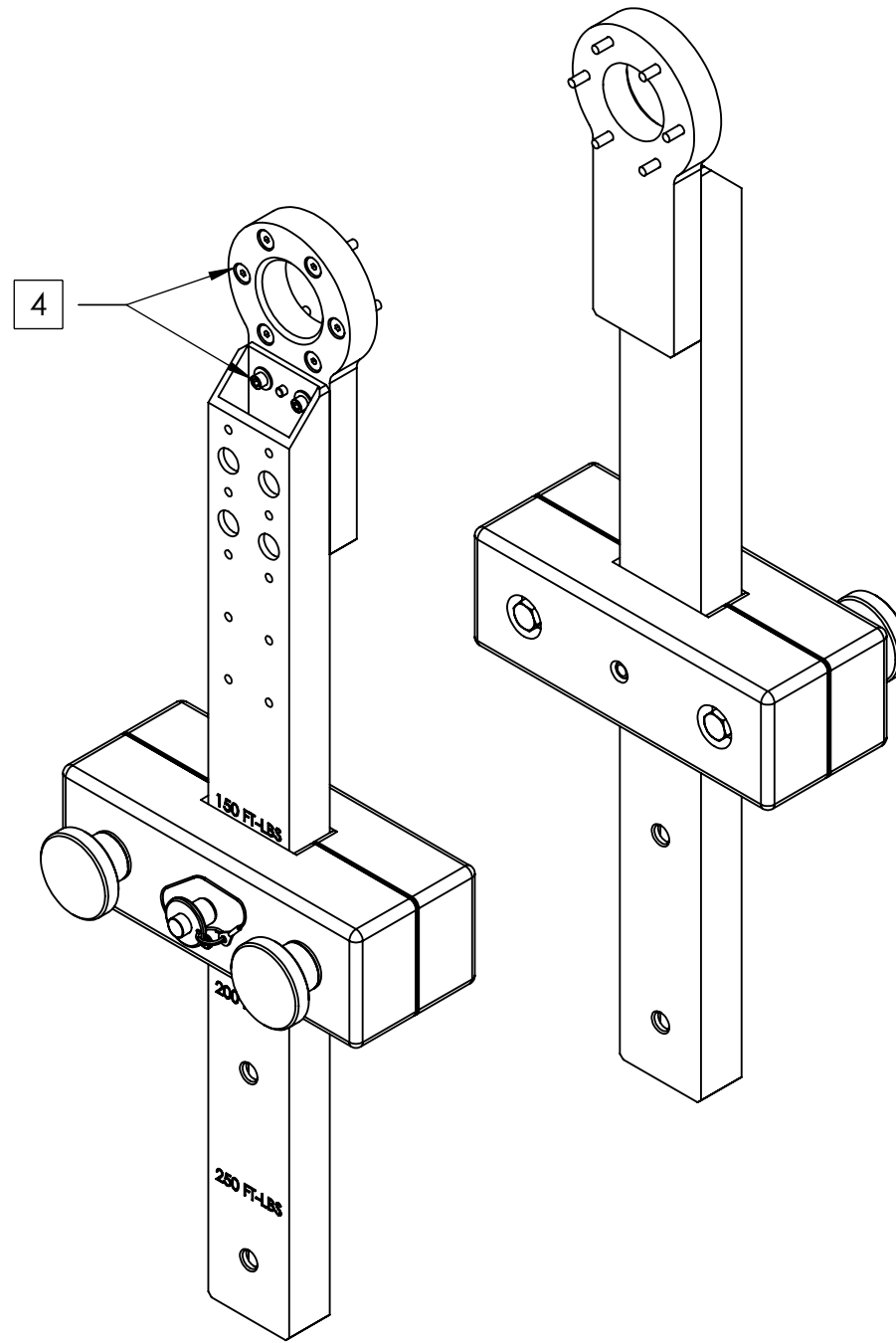


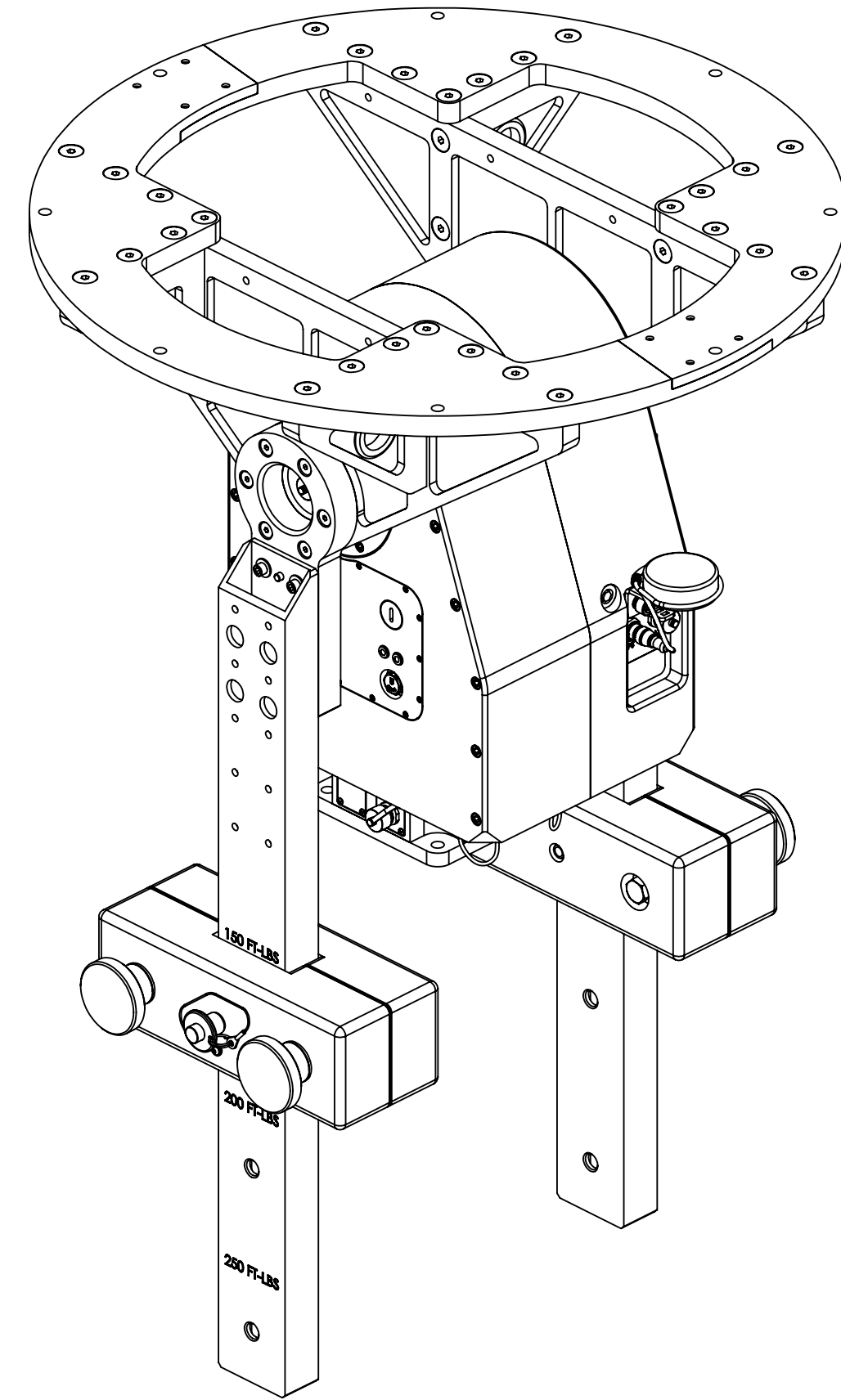
| REV | DESCRIPTION | DATE | APPROVED |
|-----|-------------|------------|----------|
| A | IR800705 | 2021-04-13 | CLC |

NOTES: UNLESS OTHERWISE SPECIFIED

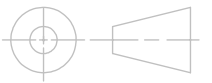
- COUNTERWEIGHT KIT MATES DIRECTLY WITH LINKALIGN-360FER-50-XXX
- HARD COAT ANODIZE ALUMINUM CONSTRUCTION WITH STAINLESS STEEL HARDWARE
- WEIGHT: 112 LBS
- KIT INCLUDES THE FOLLOWING MOUNTING HARDWARE (12) 1/4-20 FLAT HEAD SCREWS, (12) 1/4-20 SOCKET HEAD SCREWS AND (12) FLAT WASHERS. TORQUE TO 70 IN-LBS OR 5.8 FT-LBS
- ADJUSTABLE COUNTERWEIGHTS PROVIDE 150 FT-LBS, 200 FT-LBS, OR 250 FT-LBS OF ADDITIONAL TORQUE ABOUT THE ELEVATION AXIS. NET TORQUE MUST NOT EXCEED 100 FT-LBS. ADJUST COUNTERWEIGHTS AS NEEDED. SEE ICDN900448 FOR ADDITIONAL DETAILS
- SEE N500175, COUNTERWEIGHT ASSEMBLY GUIDE, FOR DETAILS ON HOW TO INTEGRATE WITH POSITIONER



ACC-N900416-1



SHOWN WITH LA-360FER-50-XXX

| | | | |
|---|--|---|---|
| SYMBOL KEY □ NOTE ○ PL ITEMS PROPRIETARY AND CONFIDENTIAL THE INFORMATION CONTAINED IN THIS DRAWING IS THE SOLE PROPERTY OF NEXTMOVE TECHNOLOGIES. ANY REPRODUCTION IN PART OR AS A WHOLE WITHOUT THE WRITTEN PERMISSION OF NEXTMOVE TECHNOLOGIES IS PROHIBITED. NEXTMOVE TECHNOLOGIES, LLC HOLLIS, NH 03049 www.nextmove.tech.com | UNLESS OTHERWISE SPECIFIED: DIMENSIONS ARE IN INCHES TOLERANCES: ANGLE ± 5 DEGREES TWO PLACE DECIMAL ±.030 THREE PLACE DECIMAL ±.010 INTERPRET DIM AND TOL PER ASME Y14.5M - 1994 THIRD ANGLE PROJECTION  DO NOT SCALE DRAWING | DRAWN C. CHEYNE 2021-04-12 CHECKED S. CHEYNE 2021-04-12 ME APPR. C. CHEYNE 2021-04-12 EE APPR. | NEXTMOVE TECHNOLOGIES TITLE: COUNTERWEIGHT KIT, LA-360FER-50 |
| | | PART NO. ACC-N900416-1 | SIZE DWG. NO. REV C ICDN900416 A |
| | | SCALE: 1:5 | SHEET 1 OF 2 |

