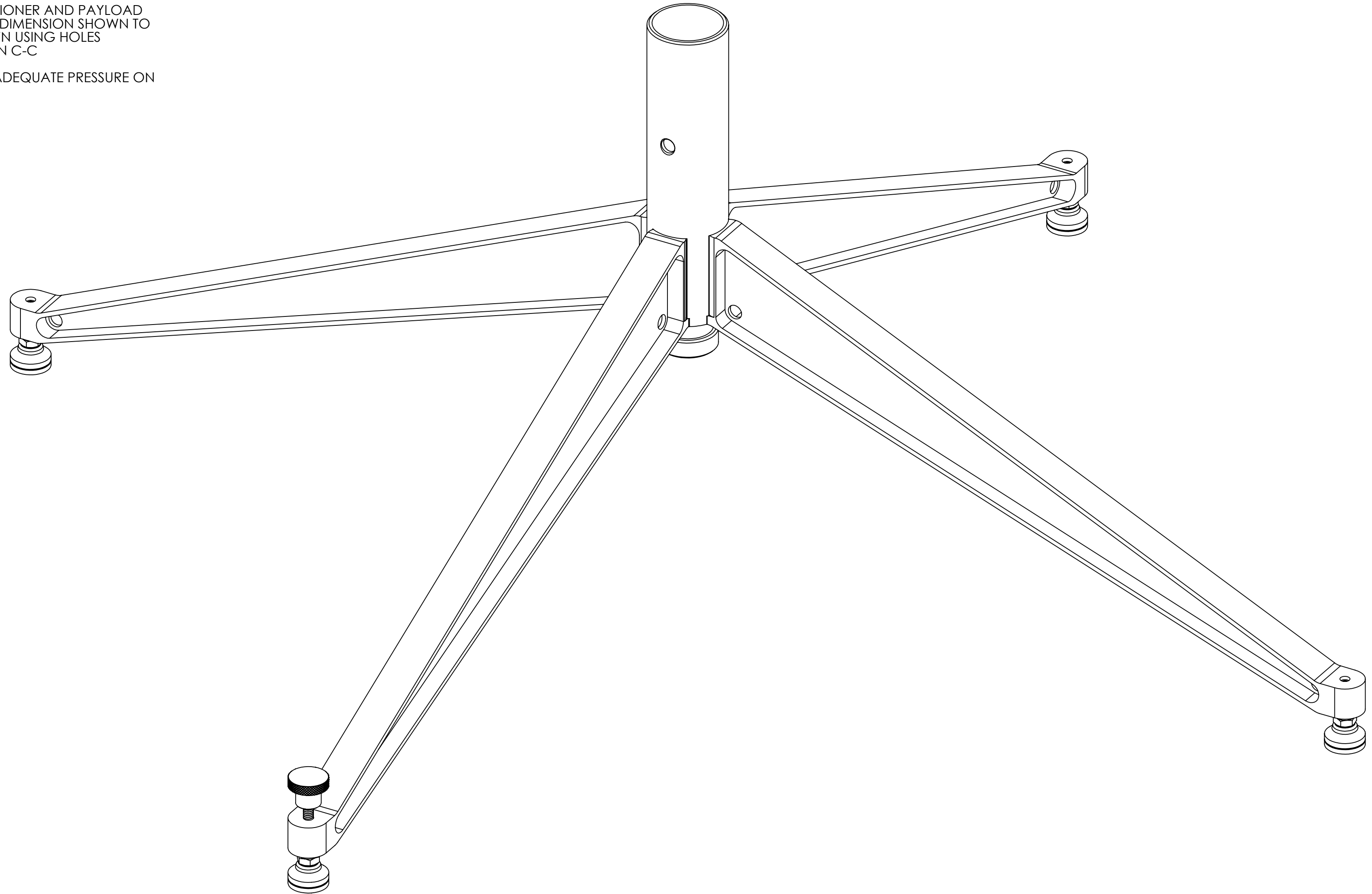


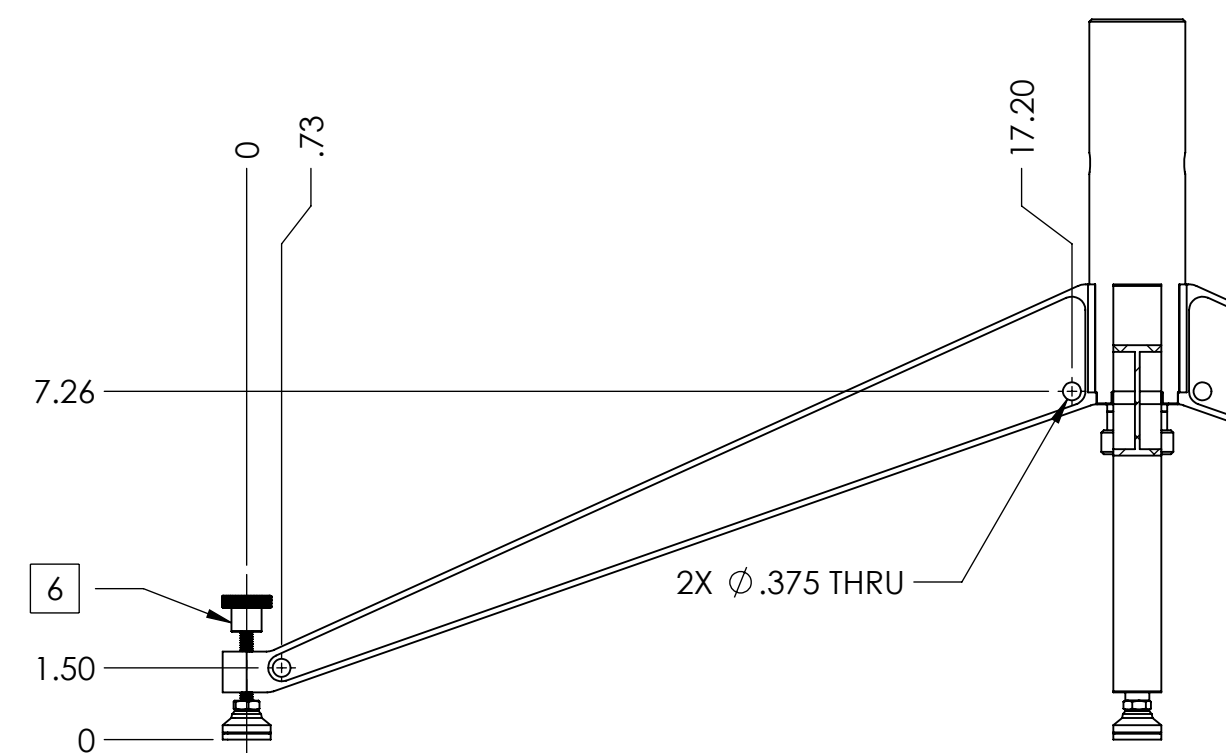
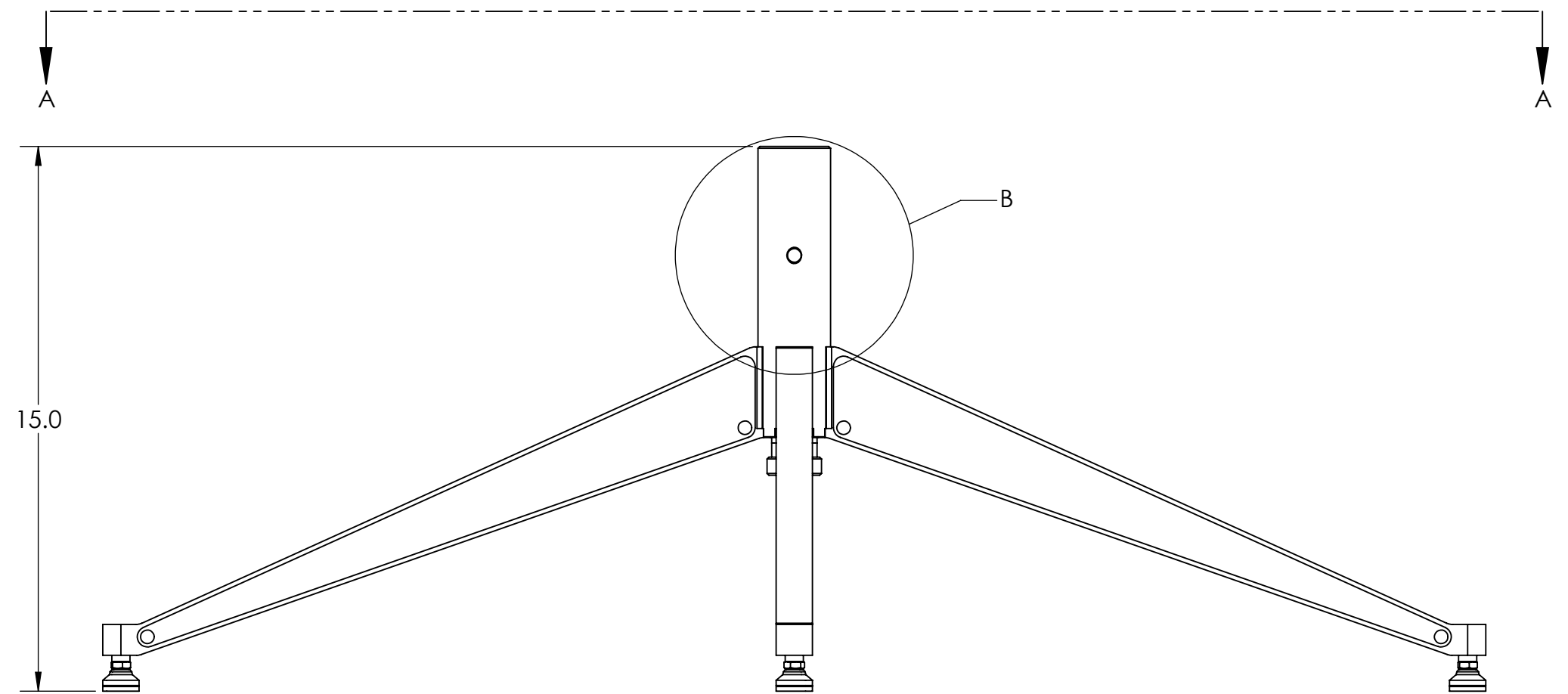
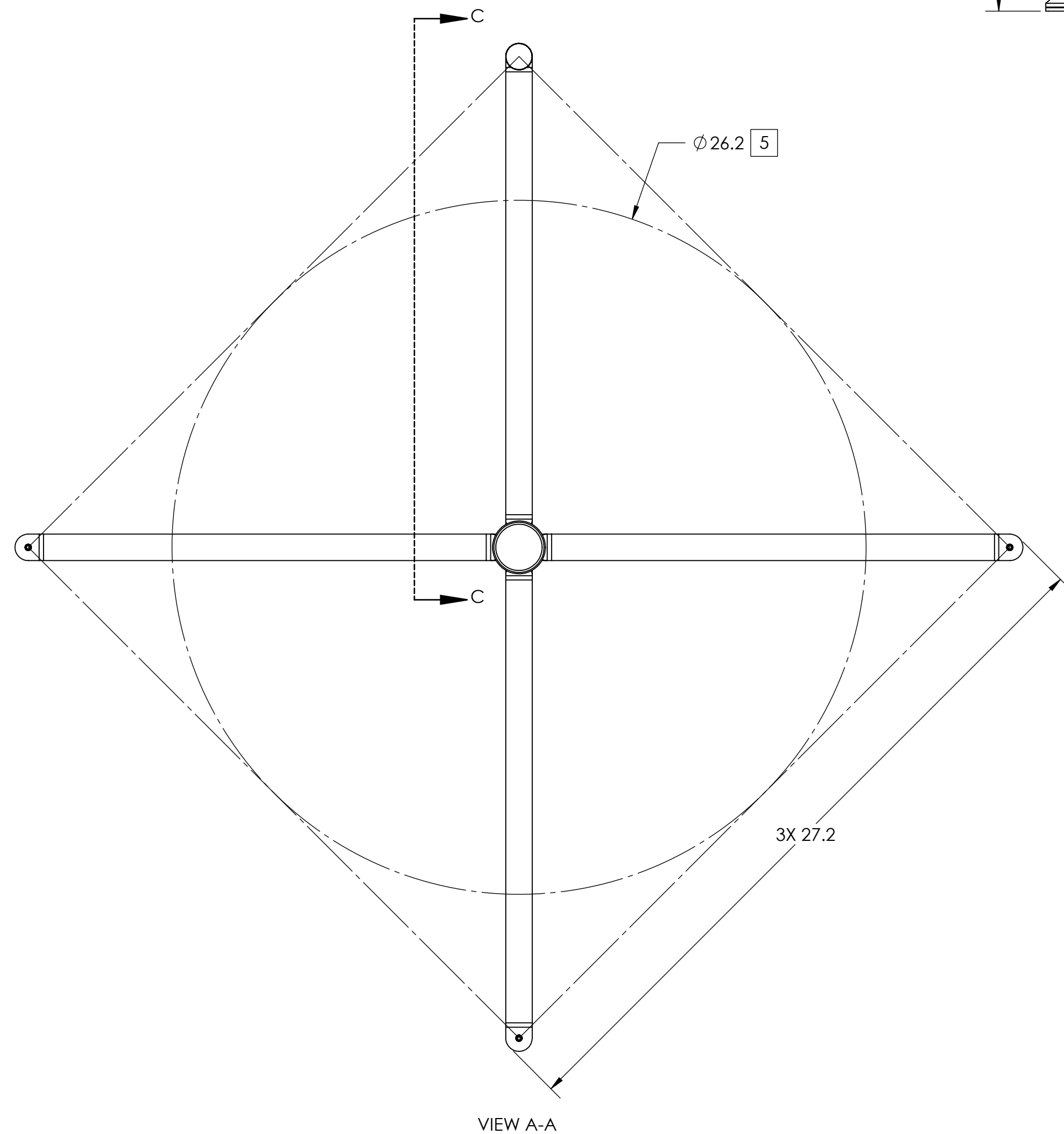
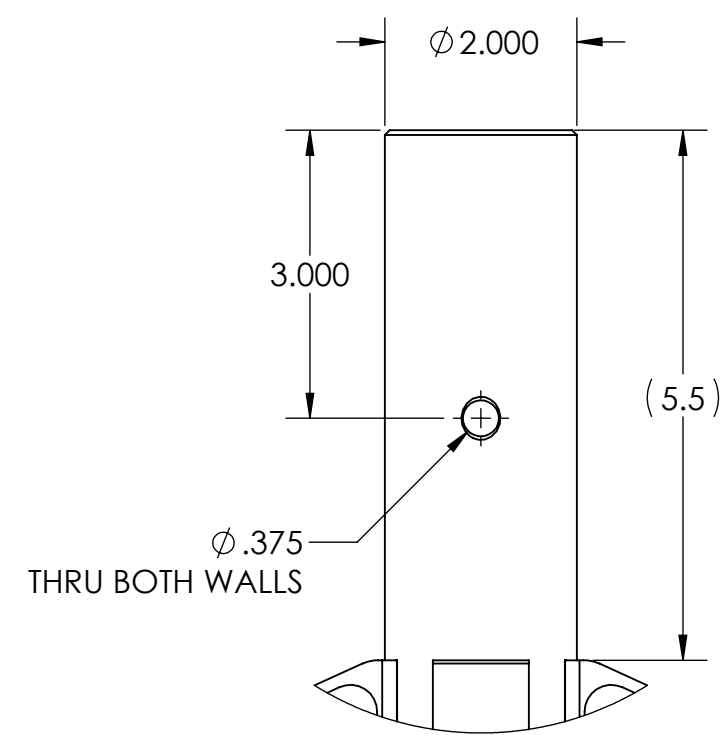
REV	DESCRIPTION	DATE	APPROVED
A	IR800690	2021-03-02	SRC

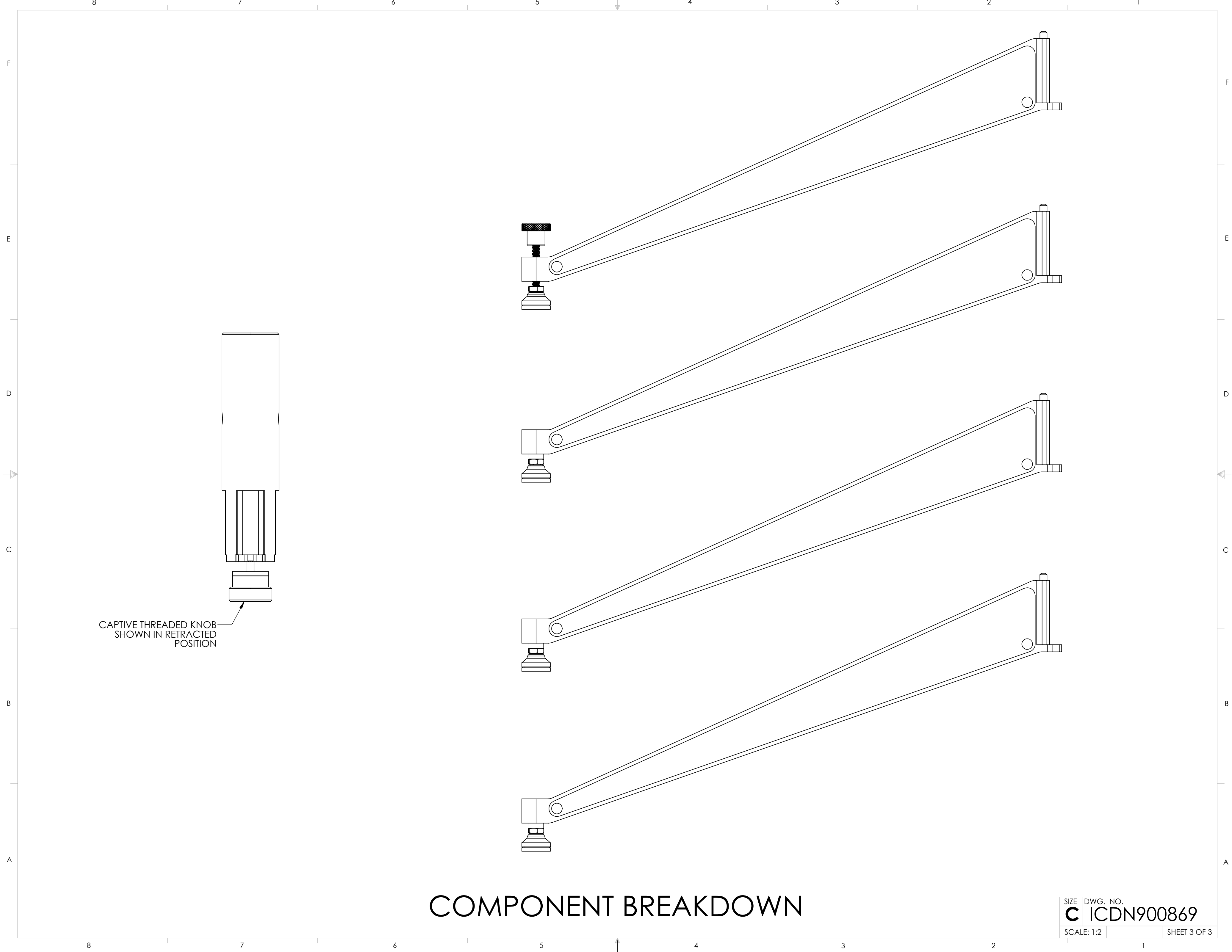
NOTES: UNLESS OTHERWISE SPECIFIED

1. QUADPOD INTERFACES DIRECTLY WITH ALL LINKALIGN AND LINKSAT POSITIONERS THAT NATIVELY HAVE A 2 INCH SOCKET MOUNT OR WITH A 2 INCH SOCKET ADAPTER FOR POSITIONERS WITH TABLE TOP MOUNTS. NO TOOLS REQUIRED
2. HARD COAT ANODIZE ALUMINUM CONSTRUCTION WITH STAINLESS STEEL HARDWARE
3. WEIGHT APPROXIMATELY 5.3 LBS
4. MAXIMUM PAYLOAD OF 100 LBS, INCLUDING POSITIONER
5. CENTER OF GRAVITY OF POSITIONER AND PAYLOAD MUST NOT EXCEED DIAMETER DIMENSION SHOWN TO PREVENT TIPPING. STAKE DOWN USING HOLES DETAILED ON SHEET 2, SECTION C-C
6. ADJUSTABLE LEG TO ENSURE ADEQUATE PRESSURE ON ALL FOUR LEGS



<b>SYMBOL KEY</b> <input type="checkbox"/> NOTE <input type="checkbox"/> PL ITEMS	<b>UNLESS OTHERWISE SPECIFIED:</b> DIMENSIONS ARE IN INCHES TOLERANCES: ANGLE ± 5 DEGREES TWO PLACE DECIMAL ±.030 THREE PLACE DECIMAL ±.010 INTERPRET DIM AND TOL PER ASME Y14.5M - 1994	DRAWN S. CHEYNE 2021-03-02	<b>NEXTMOVE TECHNOLOGIES</b>  <b>TITLE:</b> QUADPOD ASSEMBLY LIGHTWEIGHT, 2 INCH O.D. MAST, ICD
		CHECKED C. CHEYNE 2021-03-02 ME APPR. S. CHEYNE 2021-03-02 EE APPR.	
<b>PROPRIETARY AND CONFIDENTIAL</b> THE INFORMATION CONTAINED IN THIS DRAWING IS THE SOLE PROPERTY OF NEXTMOVE TECHNOLOGIES. ANY REPRODUCTION IN PART OR AS A WHOLE WITHOUT THE WRITTEN PERMISSION OF NEXTMOVE TECHNOLOGIES IS PROHIBITED.  NEXTMOVE TECHNOLOGIES, LLC HOLLIS, NH 03049 www.nextmove.tech.com	<b>THIRD ANGLE PROJECTION</b>  DO NOT SCALE DRAWING	PART NO. <b>ACC-N900869-1</b>	SIZE DWG. NO. <b>C ICDN900869</b>
		REV <b>A</b>	SCALE: 1:2 SHEET 1 OF 3





CAPTIVE THREADED KNOB  
SHOWN IN RETRACTED  
POSITION

# COMPONENT BREAKDOWN

SIZE	DWG. NO.
<b>C</b>	ICDN900869
SCALE: 1:2	SHEET 3 OF 3