

REV	DESCRIPTION	DATE	APPROVED
A	IR800711	2021-05-04	CLC

NOTES: UNLESS OTHERWISE SPECIFIED

1. LINKASAT-360FER-30 CONFIGURABLE OPTIONS PER TABLE I. PoE CABLE SHOWN NOT TO SCALE
2. USE INTERFACE CONTROL DRAWING IN CONJUNCTION WITH DATASHEET N500201
3. SEE TABLE II FOR AVAILABLE LINKASAT-360FER-30 ACCESSORY OPTIONS
4. POSITIONER POWERED BY POWER OVER ETHERNET 50-57 VDC, 4 PAIR, PASSIVE (INDOOR RATED 50 VDC POWER SUPPLY INCLUDED WITH POSITIONER. NOT SHOWN IN DRAWING). OPTIONAL DC POWER INPUT MAY BE USED AS ALTERNATE CUSTOM CONFIGURATION, 20-60 V. STANDBY POWER DRAWS LESS THAN 10 W. MAXIMUM POWER DRAW, 60 W
5. EXTERNAL CONSTRUCTION COMPRESSED OF HARD COAT ANODIZE ALUMINUM WITH STAINLESS STEEL HARDWARE
6. 400° (+/-200°) AZIMUTH TRAVEL WITH 2.2°/SEC DRIVE RATE (NO LOAD)
7. 140° (+120°/-20°) ELEVATION TRAVEL WITH 1.1°/SEC DRIVE RATE (NO LOAD)
8. -19° TO 140°F (-28° TO 60°C) OPERATIONAL TEMPERATURE RANGE. -40 TO 158°F (-40 TO 70°C) NON-OPERATIONAL TEMPERATURE RANGE
9. 0.1° FEEDBACK RESOLUTION
10. AZIMUTH AND ELEVATION BACKLASH LESS THAN 0.15°
- 11 14.08" (35.8 cm) HIGH X 8.57" (21.8 cm) WIDE X 11.38" (28.9 cm) DEEP. DIMENSIONS APPLY WHEN POSITIONER IS AT 0° AZIMUTH AND 0° ELEVATION ANGLES
12. WEIGHT APPROXIMATELY 24.7 LBS (11.2 kg) NOT INCLUDING PoE CABLE
- 13 PAYLOAD SHALL NOT EXCEED 70 LBS (31.8 kg) OR 90 FT-LBS (122 Nm) OF TORQUE ABOUT THE ELEVATION AXIS. TO CALCULATE TORQUE, TAKE THE DISTANCE FROM THE PAYLOAD CENTER OF GRAVITY TO DATUM -H- IN FEET AND MULTIPLY BY THE PAYLOAD WEIGHT. MAXIMUM OPERATING TORQUE MAY BE REDUCED AT TEMPERATURES BELOW -11°F (-24°C) AND/OR WITH PERIPHERAL DEVICES
- 14 AUXILIARY MOUNTING HOLES. 30 LBS MAX
- 15 CENTER OF GRAVITY 0" IN THE X-DIRECTION, 6.6" (16.8 cm) IN THE Y-DIRECTION AND 0.5" (1.3 cm) IN THE Z-DIRECTION. X & Z MEASURED FROM THE CENTER OF THE 2.00" DIAMETER MOUNTING POLE
- 16 FOR PERMANENT INSTALLATIONS, IT IS RECOMMENDED THAT THE (2) INDICATED 5/16-18 THREADED KNOBS BE REPLACED WITH (2) 5/16-18 X 1.000" LONG STAINLESS STEEL HEX HEAD FASTENERS. HARDWARE NOT PROVIDED WITH UNIT. TORQUE TO 122 IN-LBS
- 17 POSITIONER IS AT AZIMUTH PEDESTAL 0° WHEN INDICATED FASTENER IS AT POSITION SHOWN WITH CLAMPING KNOBS IN THE BACK AS SHOWN
- 18 POSITIONER CLAMPS TO STANDARD 2" OUTSIDE DIAMETER MAST (NOT INCLUDED)
- 19 5/16" QUICK RELEASE PIN TO SECURE POSITIONER TO MAST
- 20 USE RED BUTTON TO "STOW" POSITIONER, GREEN BUTTON TO "ACQUIRE" SIGNAL AND PRESS BOTH RED AND GREEN BUTTON SIMULTANEOUSLY TO PERFORM COMPASS CALIBRATION

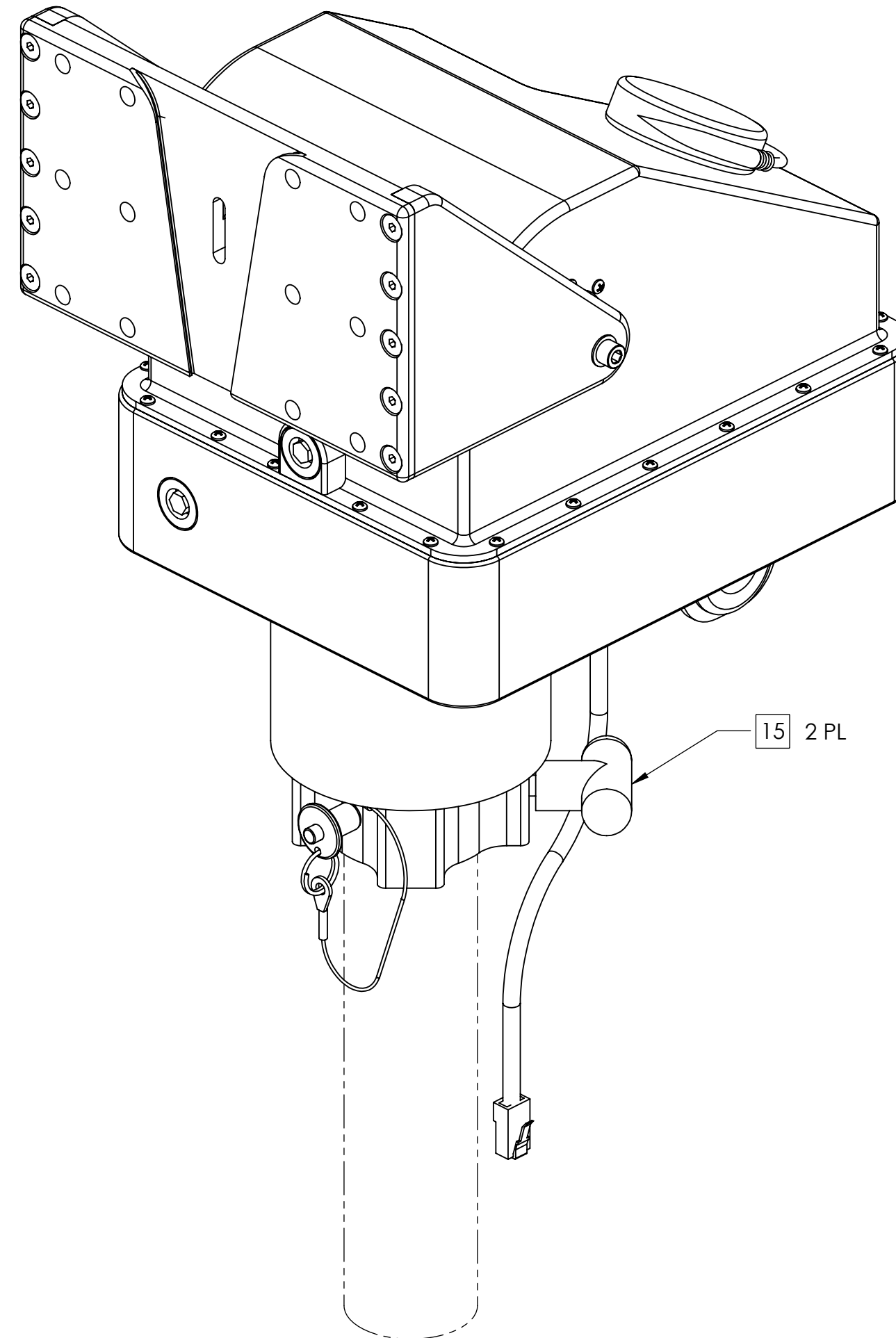

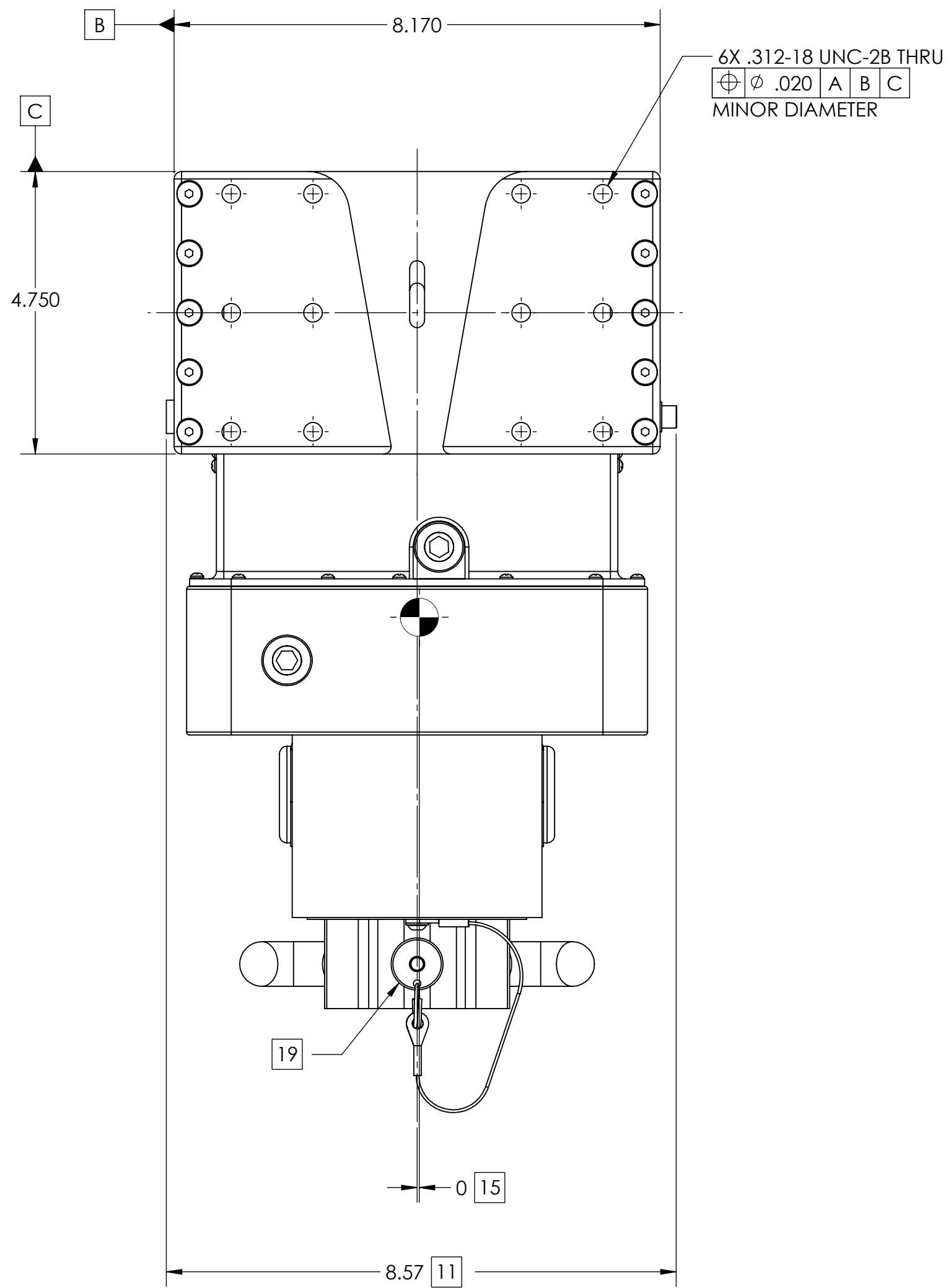


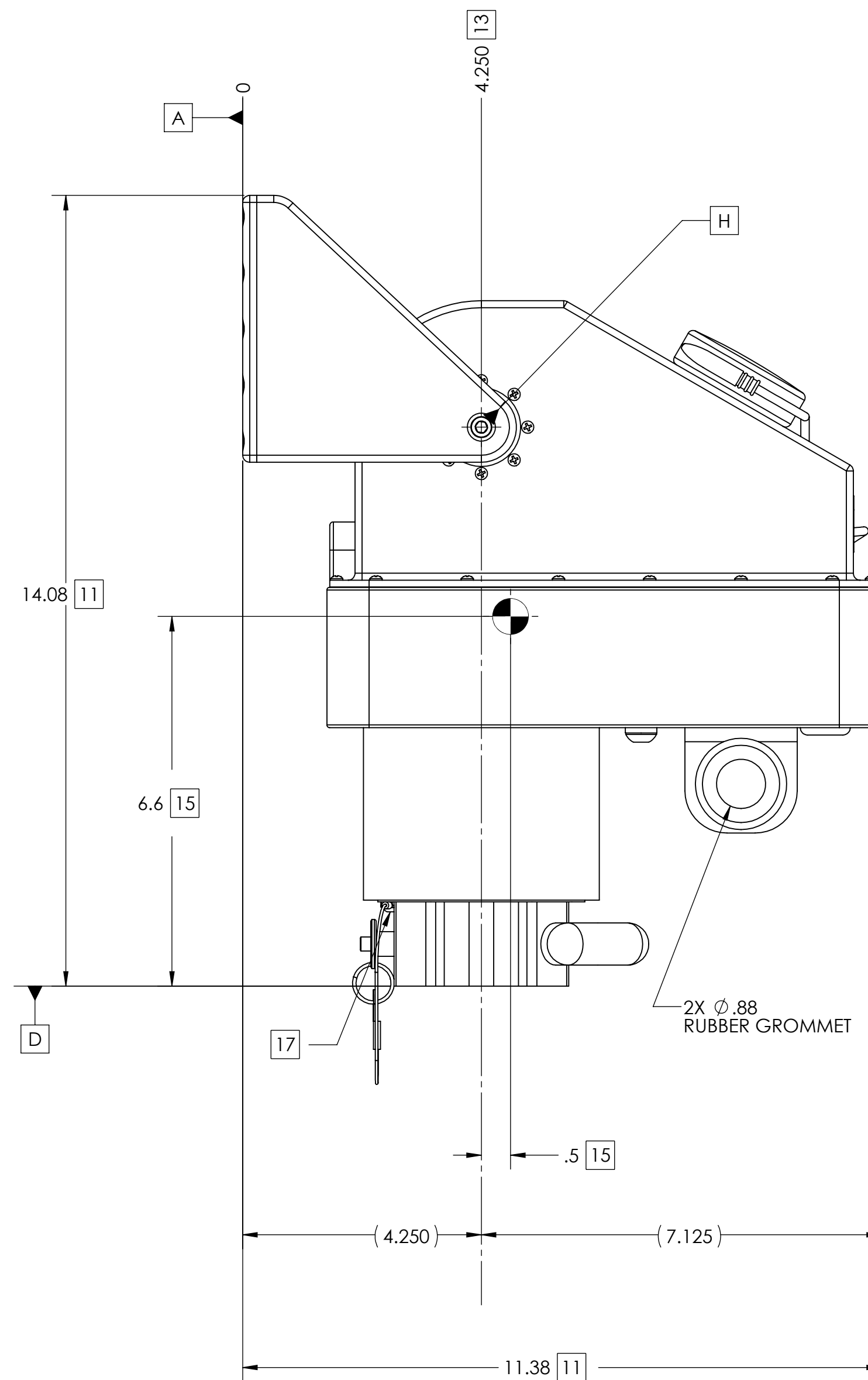
TABLE I	
BUILDING A PART NUMBER	STANDARD OPTIONS
LS-360FER - 30 - 100	<<EXAMPLE
	SHIELDED ETHERNET CABLE STANDARD LENGTHS
	050 = 50 ft
	100 = 100 ft
	150 = 150 ft
	200 = 200 ft
	250 = 250 ft
	300 = 300 ft
	XXX = Custom length in feet
	XXXC = Add "C" to end of cable length for unterminated mating connector
	CUSTOM CONFIGURATION
	= Standard options - leave blank
	MOTOR DRIVES AND PAYLOAD
	30 = Az travel 2°/s, EI 90 ft-lbs @ 1°/s, 70 lb payload. Typically paired with 2-3 ft antenna
	MODEL
	LS-360FER = LinkASat-360FER (+/-200° azimuth, +120/-20° elevation)

SYMBOL KEY <input type="checkbox"/> NOTE <input type="checkbox"/> PL ITEMS PROPRIETARY AND CONFIDENTIAL THE INFORMATION CONTAINED IN THIS DRAWING IS THE SOLE PROPERTY OF NEXTMOVE TECHNOLOGIES. ANY REPRODUCTION IN PART OR AS A WHOLE WITHOUT THE WRITTEN PERMISSION OF NEXTMOVE TECHNOLOGIES IS PROHIBITED. NEXTMOVE TECHNOLOGIES, LLC HOLLIS, NH 03049 www.nextmove.tech.com	UNLESS OTHERWISE SPECIFIED: DIMENSIONS ARE IN INCHES TOLERANCES: ANGLE ± 5 DEGREES TWO PLACE DECIMAL ±.030 THREE PLACE DECIMAL ±.010 INTERPRET DIM AND TOL PER ASME Y14.5M - 1994 THIRD ANGLE PROJECTION  DO NOT SCALE DRAWING	DRAWN C. CHEYNE 2021-05-04 CHECKED S. CHEYNE 2021-05-04 ME APPR. C. CHEYNE 2021-05-04 EE APPR.	NEXTMOVE TECHNOLOGIES TITLE: LINKASAT-360FER-30 INTERFACE CONTROL DRAWING
		PART NO. SEE TABLE I	SIZE DWG. NO. REV C ICDN900885 A
		SCALE: 1:2	SHEET 1 OF 4



ANTENNA MOUNTING FEATURES

13

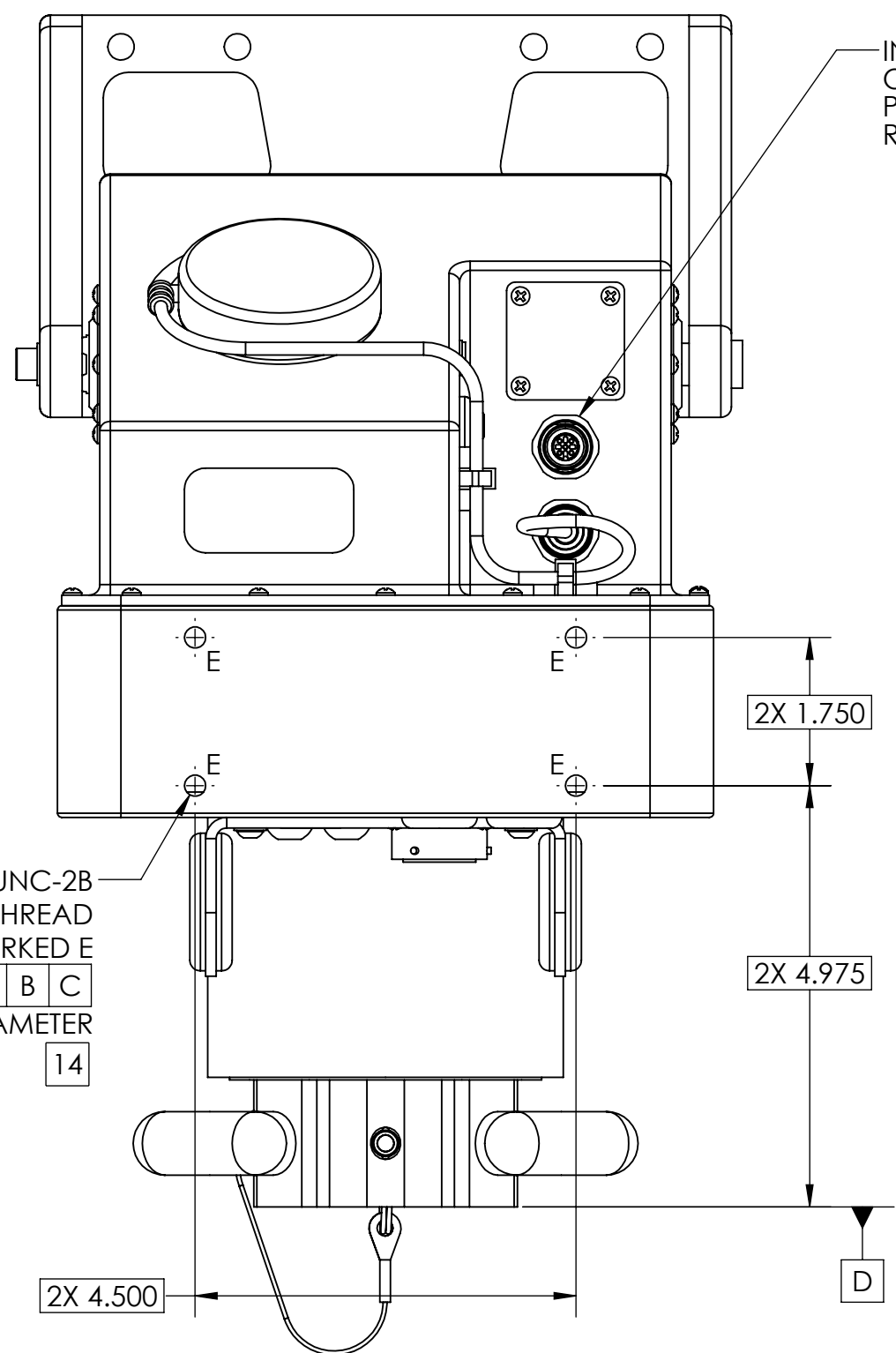


SHEET 3
 ZONE D-3

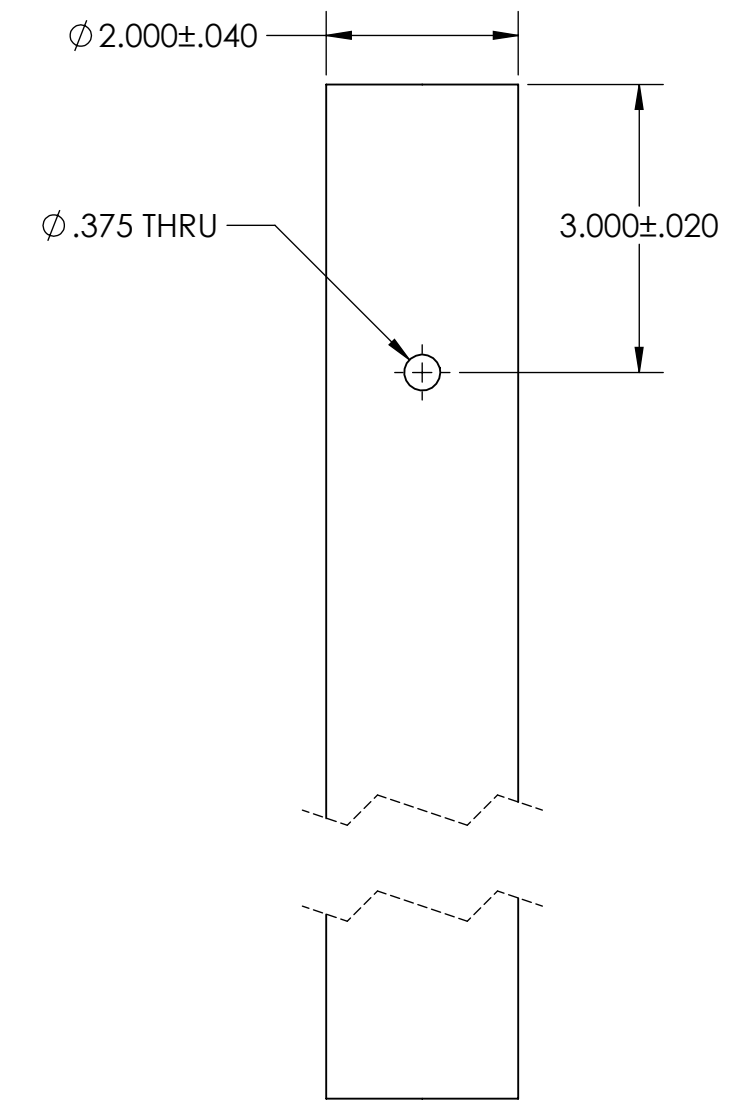
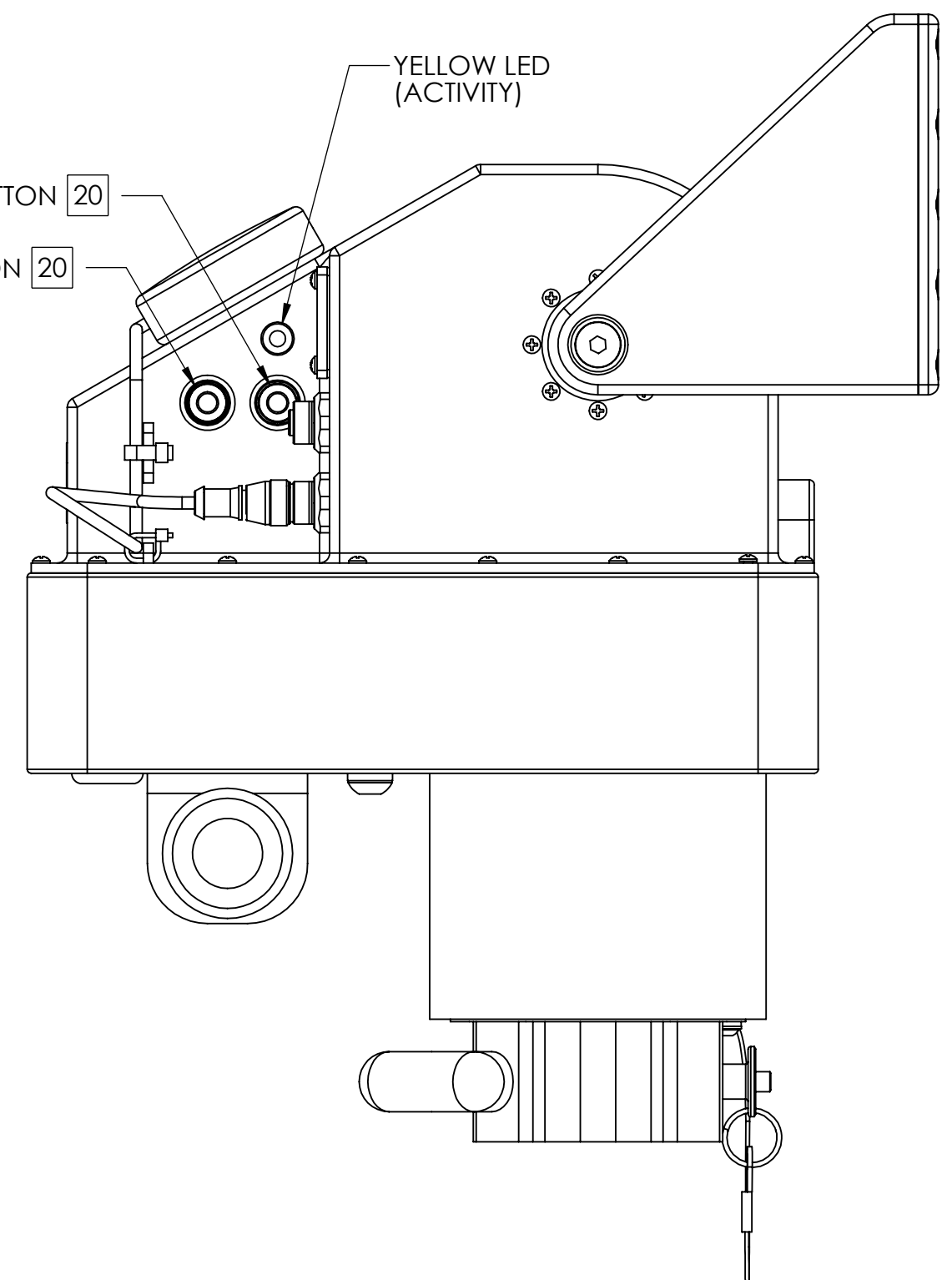
SHEET 3
 ZONE B-7

8 7 6 5 4 3 2 1

F
E
D
C
B
A



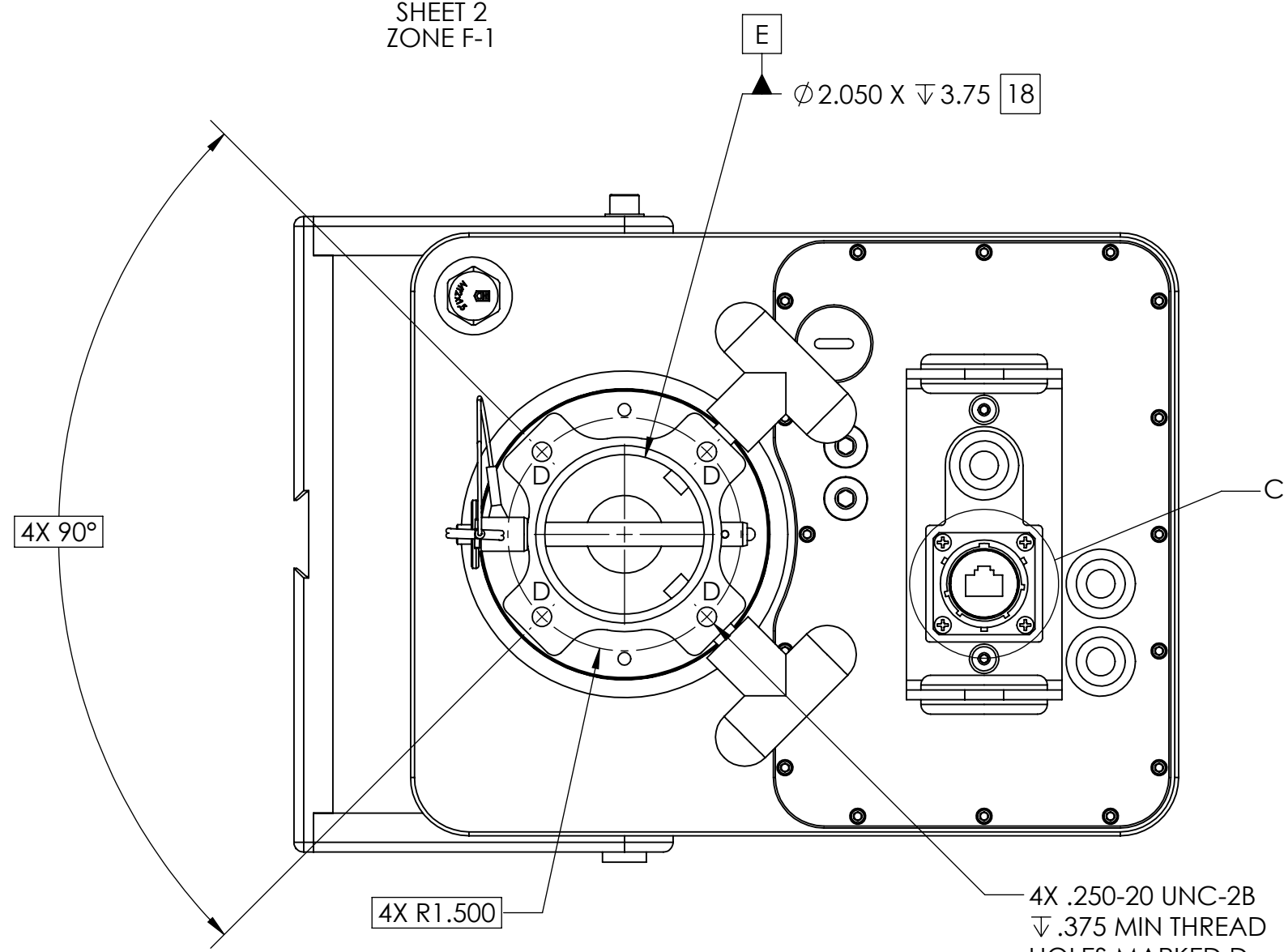
4X .250-20 UNC-2B
 ∇ .375 MIN THREAD
 HOLES MARKED E
 $\oplus \phi .020$ A B C
 MINOR DIAMETER
 14



SUGGESTED POSITIONER
 MAST DIMENSIONS

18

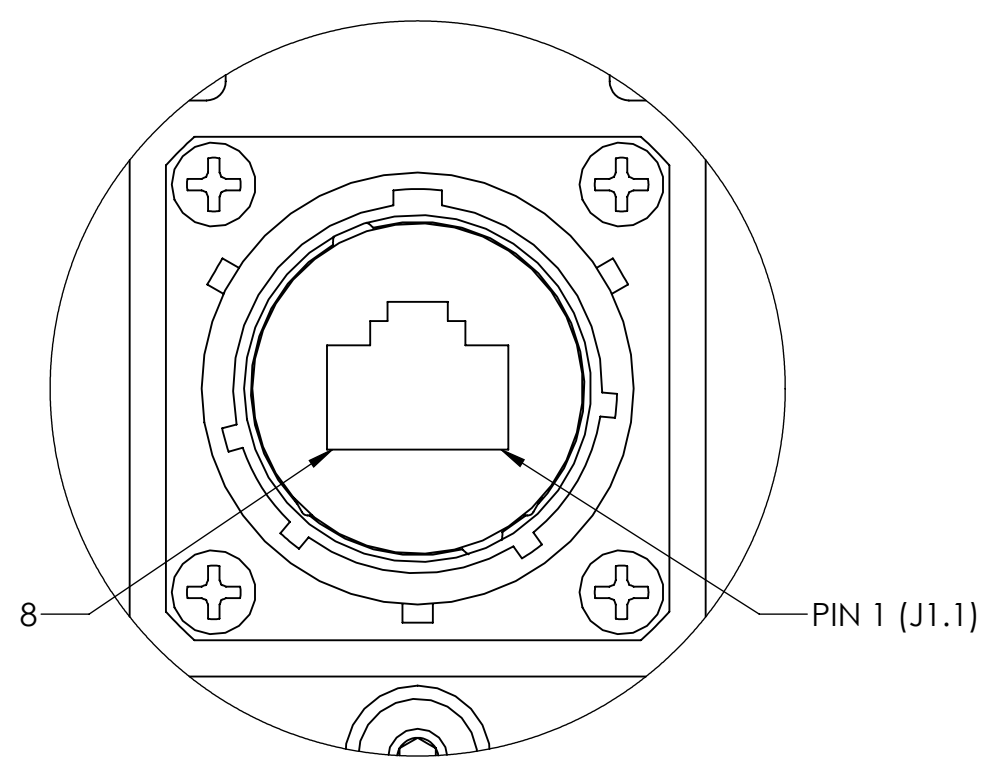
SECTION B-B
 SHEET 2
 ZONE F-1



SECTION A-A
 SHEET 2
 ZONE A-3

4X .250-20 UNC-2B
 ∇ .375 MIN THREAD
 HOLES MARKED D
 $\oplus \phi .030$ D E
 MINOR DIAMETER

INTERCONNECT FOR POSITIONER PoE

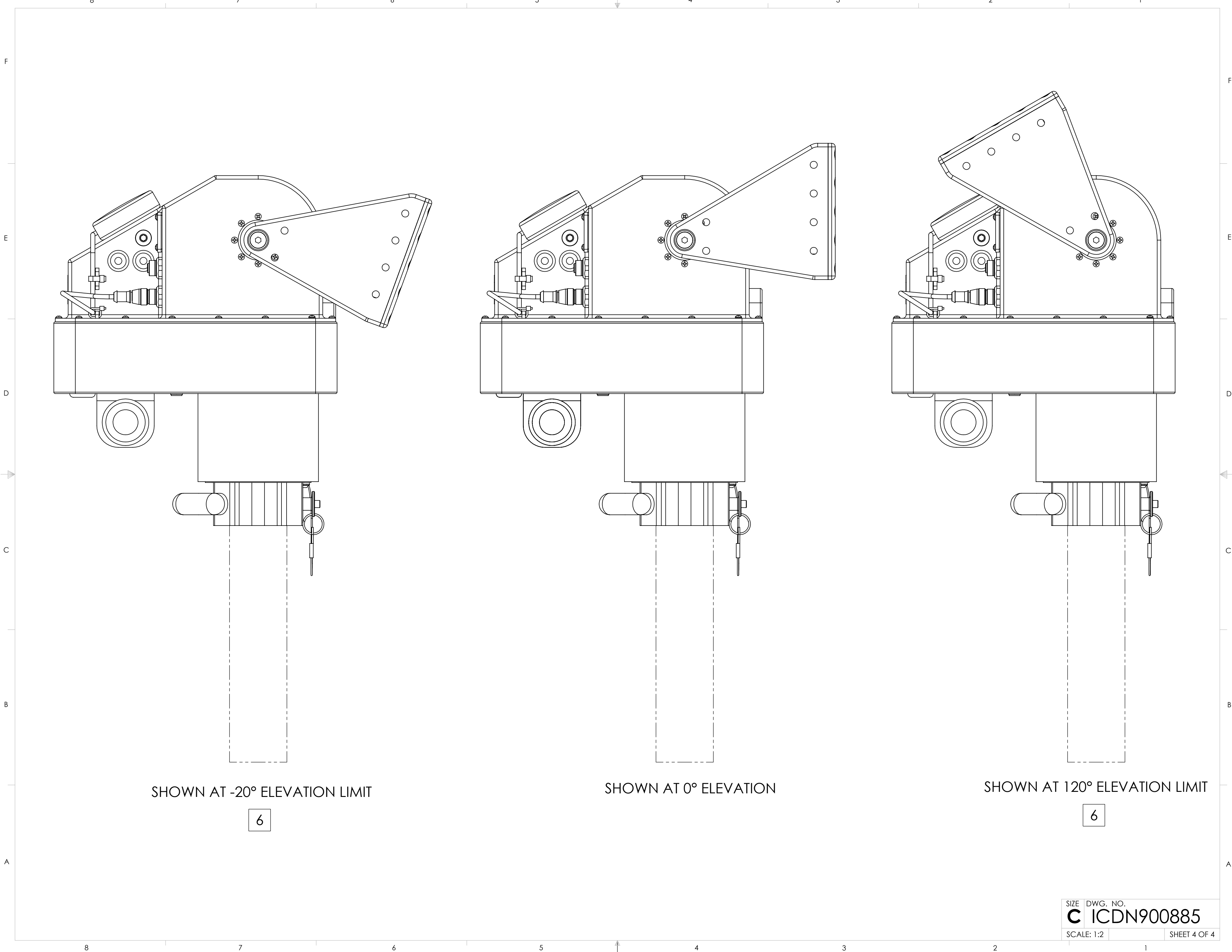


J1 CONNECTOR SHOWN FROM MATING SIDE
 MATES WITH AMPHENOL P/N - RJF6B

DETAIL C
 SCALE 2 : 1
 SEE TABLE II FOR PINOUT DETAILS

TABLE II (PoE CONNECTOR)	
CONNECTOR DESIGNATION	FUNCTION
J1.1	DATA PAIR 1
J1.2	DATA PAIR 1
J1.3	DATA PAIR 2
J1.4	+48-56VDC PoE POWER INPUT
J1.5	+48-56VDC PoE POWER INPUT
J1.6	DATA PAIR 2
J1.7	DC RETURN FOR PoE INPUT
J1.8	DC RETURN FOR PoE INPUT

8 7 6 5 4 3 2 1



SHOWN AT -20° ELEVATION LIMIT

6

SHOWN AT 0° ELEVATION

SHOWN AT 120° ELEVATION LIMIT

6