

REV	DESCRIPTION	DATE	APPROVED
E	CN600976	2021-07-26	CLC

NOTES: UNLESS OTHERWISE SPECIFIED

- LINKALIGN-60EBP-10 CONFIGURABLE OPTIONS PER TABLE I. PoE CABLE SHOWN NOT TO SCALE
- USE INTERFACE CONTROL DRAWING IN CONJUNCTION WITH DATASHEET N500131
- SEE TABLE II FOR AVAILABLE LINKALIGN-60EBP-10 ACCESSORY OPTIONS
- POSITIONER SHALL BE POWERED BY POWER OVER ETHERNET 44 - 57 VDC, 2/4 PAIR, PASSIVE (INDOOR RATED 48 VDC POWER SUPPLY INCLUDED WITH POSITIONER. NOT SHOWN IN DRAWING). OPTIONAL DC POWER INPUT MAY BE USED AS ALTERNATE POWER, 20-60 V. STANDBY POWER SHALL DRAW LESS THAN 10 W. MAXIMUM POWER DRAW SHALL BE 48 W
- EXTERNAL CONSTRUCTION: HARD COAT ANODIZE ALUMINUM WITH STAINLESS STEEL HARDWARE
- 60° (+/-30°) AZIMUTH TRAVEL WITH 0.4°/SEC DRIVE RATE (NO LOAD)
- 60° (+/-30°) ELEVATION TRAVEL WITH 0.4°/SEC DRIVE RATE (NO LOAD). POSITIONER MAY BE MOUNTED ON EITHER SIDE OF THE MAST. SOFTWARE FEATURES ALLOW FOR THE ELEVATION DIRECTION TO BE REVERSED
- 22° TO 140°F (-30° TO 60°C) OPERATIONAL TEMPERATURE RANGE. -40 TO 158°F (-40 TO 70°C) NON-OPERATIONAL TEMPERATURE RANGE. MINIMUM TEMPERATURE SPECIFIED AT NO LOAD
- 0.01° FEEDBACK RESOLUTION IN BOTH AXES
- AZIMUTH / ELEVATION BACKLASH LESS THAN 0.1°
- ENVELOPE DIMENSIONS WHEN MOUNTED TO A 4.5" O.D. MAST ARE 11.81" (30.0 cm) HIGH X 15.11" (38.4 cm) WIDE X 10.25" (26.0 cm) DEEP. DIMENSIONS APPLY WHEN POSITIONER IS AT 0° AZIMUTH AND 0° ELEVATION ANGLES
- WEIGHT APPROXIMATELY 40 LBS (18.1 kg)
- PAYLOAD SHALL NOT EXCEED 100 LBS OR 25 FT-LBS OF OPERATIONAL TORQUE ABOUT THE AZIMUTH OR ELEVATION AXIS NOTED BY DATUM C AND B RESPECTIVELY. MAXIMUM OPERATING TORQUE MAY BE REDUCED AT TEMPERATURES BELOW -28° C AND/OR WITH USE OF PERIPHERAL DEVICES
- POSITIONER CLAMPS TO 3" - 4.5" OUTSIDE DIAMETER MAST (NOT INCLUDED). 4.5" O.D. MAST SHOWN THROUGHOUT THIS DRAWING
- CENTER OF GRAVITY .7" (1.8 cm) IN THE X-DIRECTION, 0.9" (2.3 cm) IN THE Y-DIRECTION AND .1" (.3 cm) IN THE Z-DIRECTION MEASURED FROM THE CORRESPONDING DATUM A, B, OR C
- TORQUE THE INDICATED POSITIONER CLAMP FASTENERS (3/8-16 X 4.5" LONG STAINLESS STEEL HEX HEAD SCREWS) TO 236 IN-LBS OR 20 FT-LBS
- NON-OPERATIONAL WIND LOADING TORQUE SHALL NOT EXCEED 200 FT-LBS ON THE AZIMUTH OR ELEVATION AXIS NOTED BY DATUM C AND B RESPECTIVELY
- ANTENNA MOUNTING PLATE NATIVELY INTERFACES TO mWAVE HRP2-800 AS SHOWN ON SHEET 4. ADDITIONAL ADAPTER BRACKETS ARE AVAILABLE UPON REQUEST TO INTERFACE WITH OTHER ANTENNA MANUFACTURERS
- TORQUE ANTENNA MOUNTING HARDWARE (5/16-18 X 1" LONG STAINLESS STEEL HEX HEAD SCREWS) TO 132 IN-LBS OR 11 FT-LBS

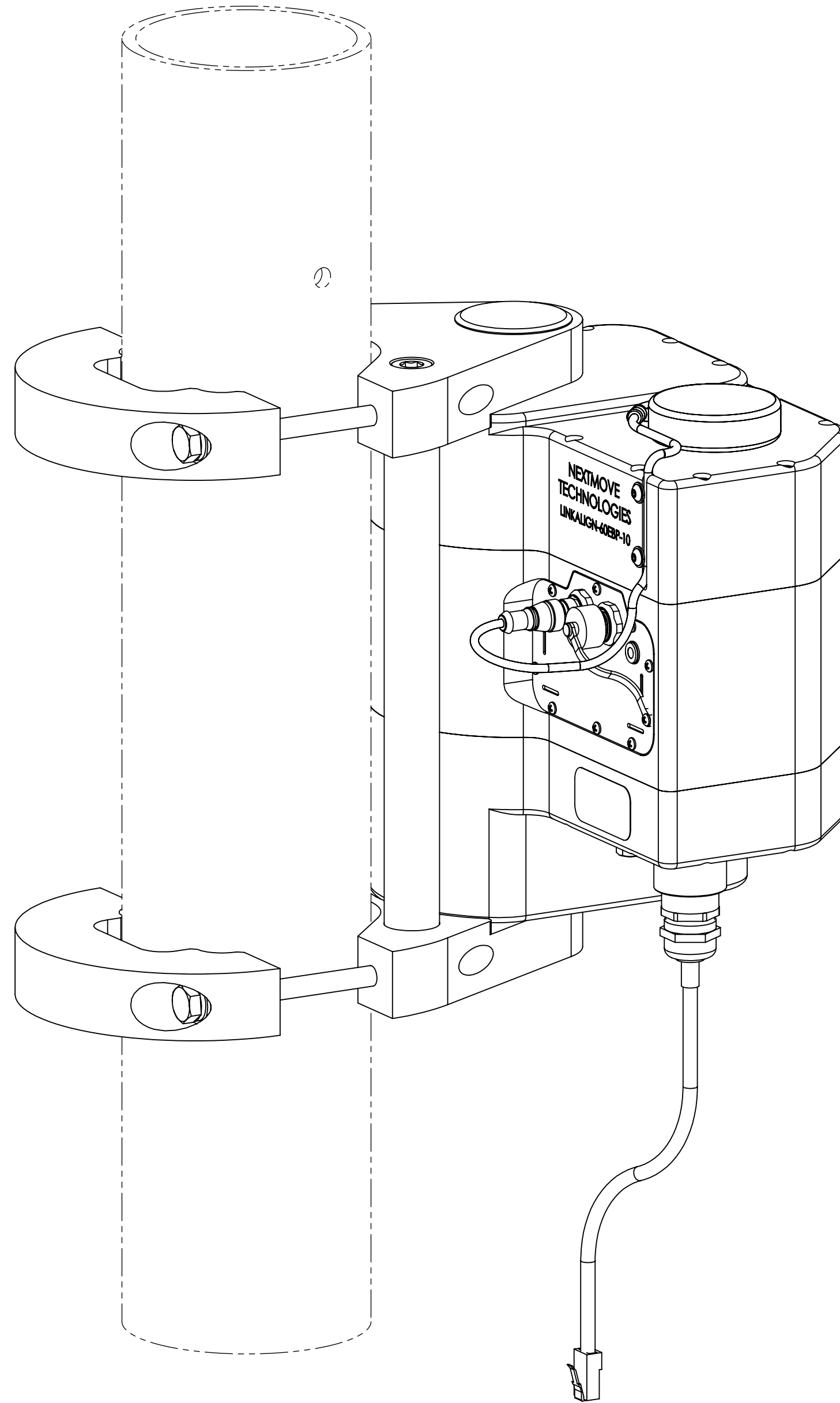


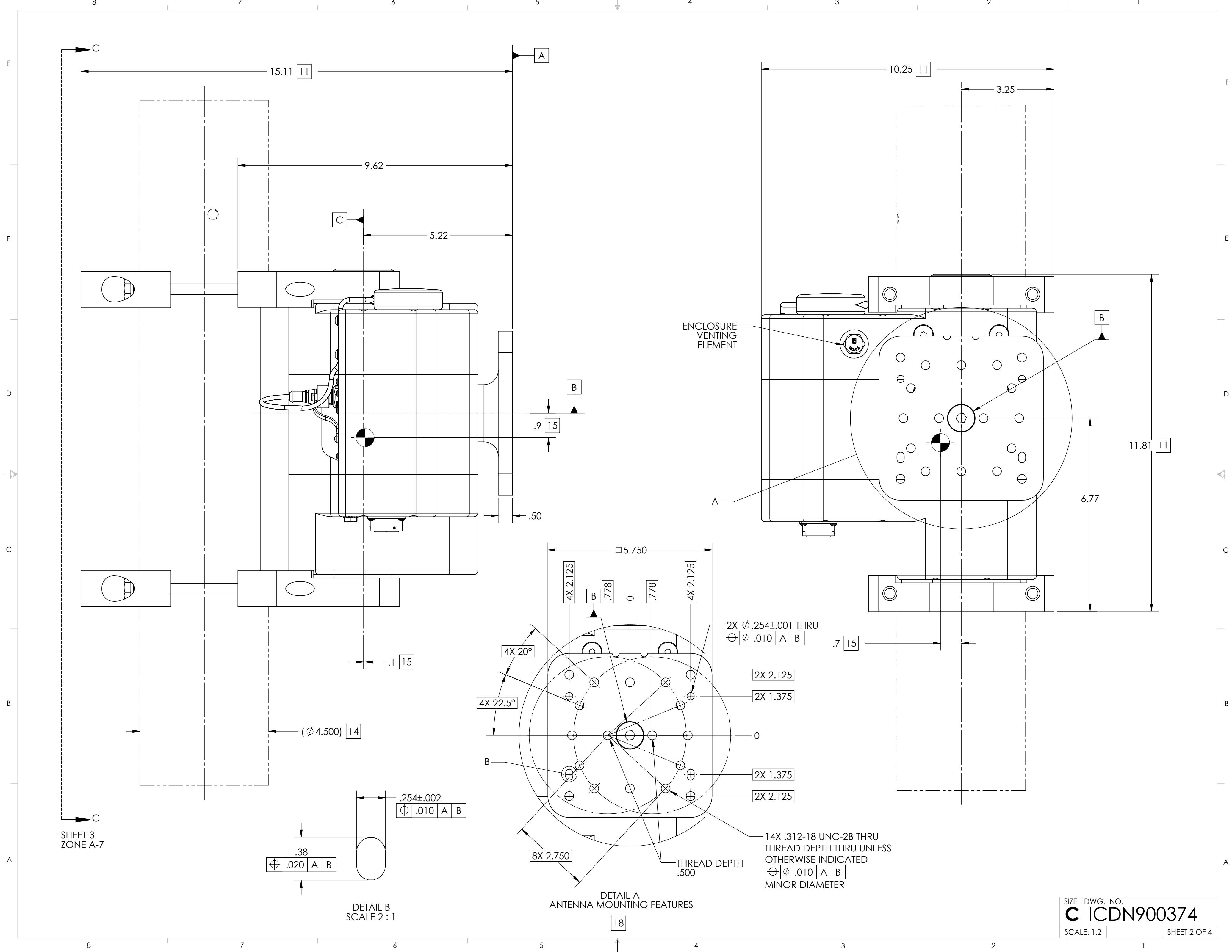
TABLE I

BUILDING A PART NUMBER	STANDARD OPTIONS
LA-60EBP - 10 - 100	<<EXAMPLE
	SHIELDED ETHERNET CABLE STANDARD LENGTHS
	050 = 50 ft
	100 = 100 ft
	150 = 150 ft
	200 = 200 ft
	250 = 250 ft
	300 = 300 ft
	XXX = Custom length in feet
	XXXC = Add "C" to end of cable length for unterminated mating connector
	CUSTOM CONFIGURATION
	= Standard options - leave blank
	MOTOR DRIVES AND PAYLOAD
	10 = Az/EI Travel @ 0.4°/s, EI Torque 50 ft-lbs, 100 lb payload. Typically paired with 1-2 ft side arm mount antenna
	MODEL
	LA-60EBP = LinkAlign-60EBP (+/-30° azimuth, +/-30° elevation)

TABLE II (LA-60EBP-10 ACCESSORY OPTIONS)

ACCESSORY DESCRIPTION	ACCESSORY PART NUMBER	ACCESSORY ICD
GPS HEADING UNIT	ACC-N900502-24	ICDN900502
ADAPTER BRACKET KIT, GPS HEADING UNIT TO EBP SERIES	ANTB-N900712-1	ICDN900712

SYMBOL KEY <input type="checkbox"/> NOTE <input type="checkbox"/> PL ITEMS PROPRIETARY AND CONFIDENTIAL THE INFORMATION CONTAINED IN THIS DRAWING IS THE SOLE PROPERTY OF NEXTMOVE TECHNOLOGIES. ANY REPRODUCTION IN PART OR AS A WHOLE WITHOUT THE WRITTEN PERMISSION OF NEXTMOVE TECHNOLOGIES IS PROHIBITED. NEXTMOVE TECHNOLOGIES, LLC HOLLIS, NH 03049 www.nextmove.tech.com	UNLESS OTHERWISE SPECIFIED: DIMENSIONS ARE IN INCHES TOLERANCES: ANGLE ± 5 DEGREES TWO PLACE DECIMAL ±.030 THREE PLACE DECIMAL ±.010 INTERPRET DIM AND TOL PER ASME Y14.5M - 1994 THIRD ANGLE PROJECTION DO NOT SCALE DRAWING	DRAWN S. CHEYNE 2016-04-08 CHECKED C. CHEYNE 2018-08-06 ME APPR. S. CHEYNE 2016-04-08 EE APPR.	NEXTMOVE TECHNOLOGIES TITLE: LINKALIGN-60EBP-10 INTERFACE CONTROL DRAWING	
		PART NO. SEE TABLE I	SIZE DWG. NO. C ICDN900374	REV E
		SCALE: 1:2		SHEET 1 OF 4



SHEET 3
ZONE A-7

DETAIL B
SCALE 2:1

DETAIL A
ANTENNA MOUNTING FEATURES

SIZE DWG. NO.
C ICDN900374
SCALE: 1:2 SHEET 2 OF 4

INTERCONNECT FOR ALTERNATE DC POWER

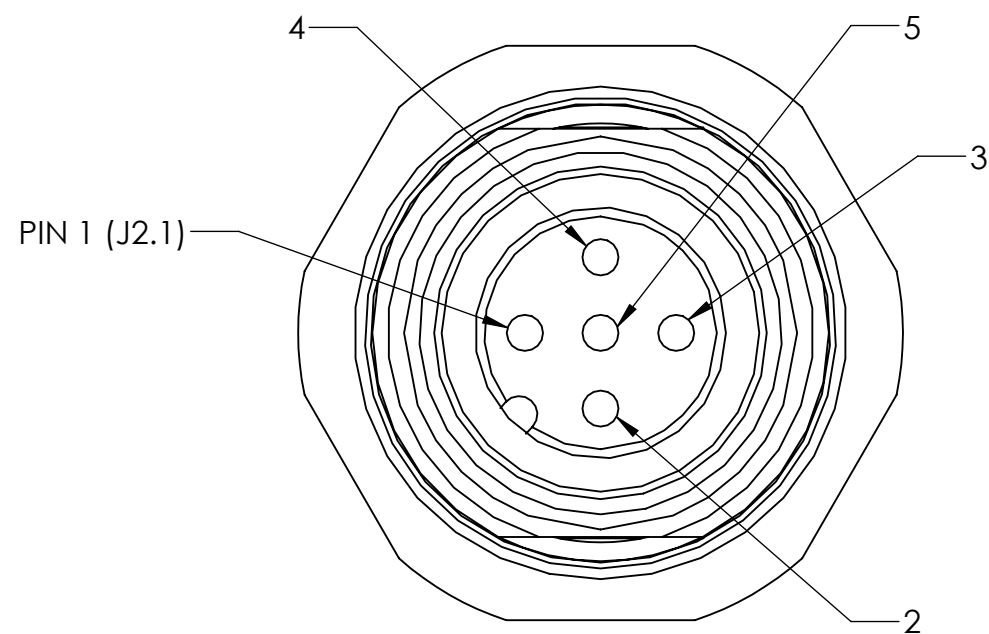


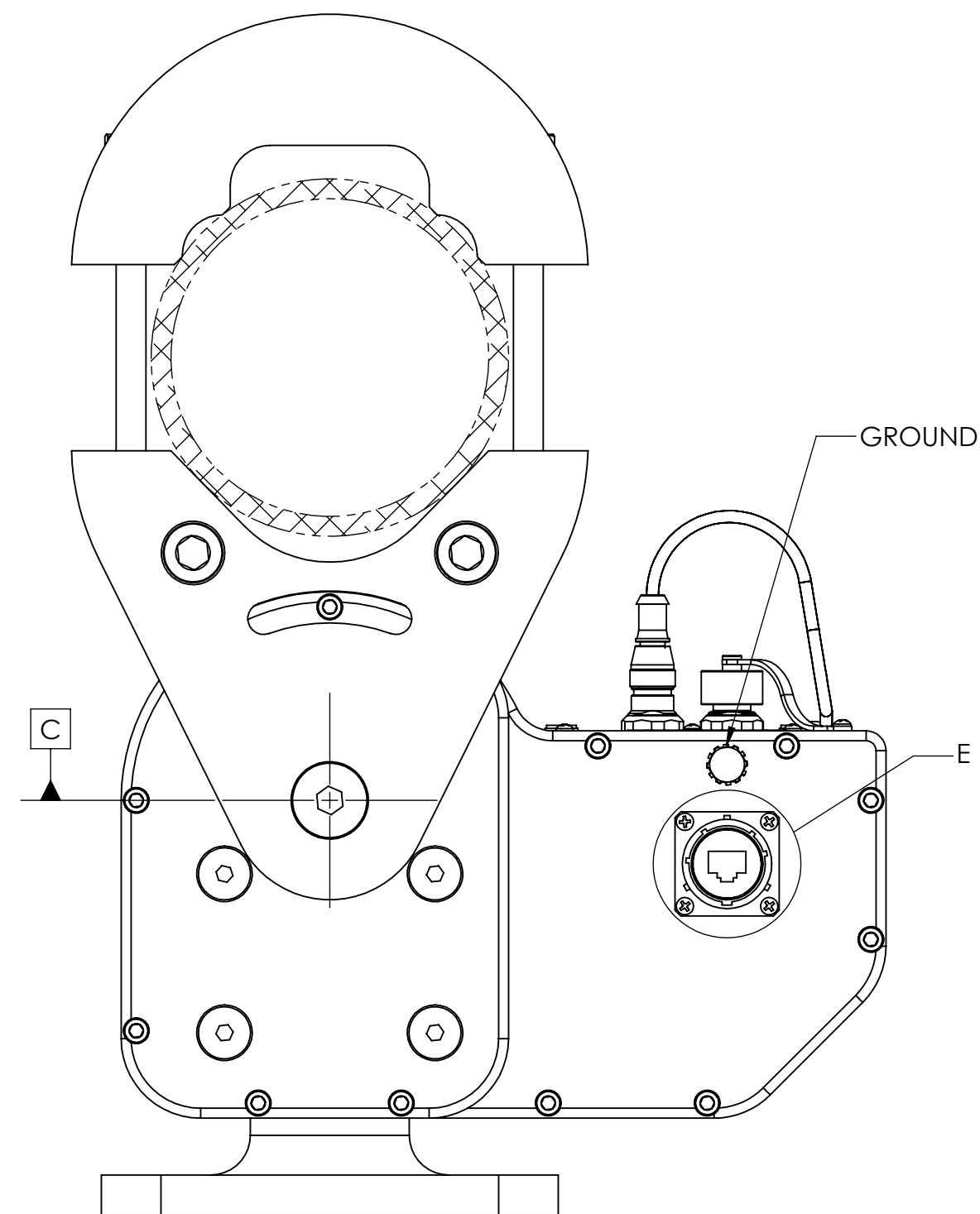
TABLE IV (DC POWER CONNECTOR)	
CONNECTOR DESIGNATION	FUNCTION
J2.1	N/C
J2.2	N/C
J2.3	+20-60 VDC POWER INPUT
J2.4	N/C
J2.5	GND

J2 CONNECTOR SHOWN FROM MATING SIDE
MATES WITH TURCK P/N RK 4.5T-* (*LENGTH IN METERS)
SHOWN WITHOUT PROTECTIVE CAP

DETAIL F
SCALE 4 : 1

SEE TABLE IV FOR PINOUT DETAILS

4



SECTION D-D

INTERCONNECT FOR POSITIONER PoE

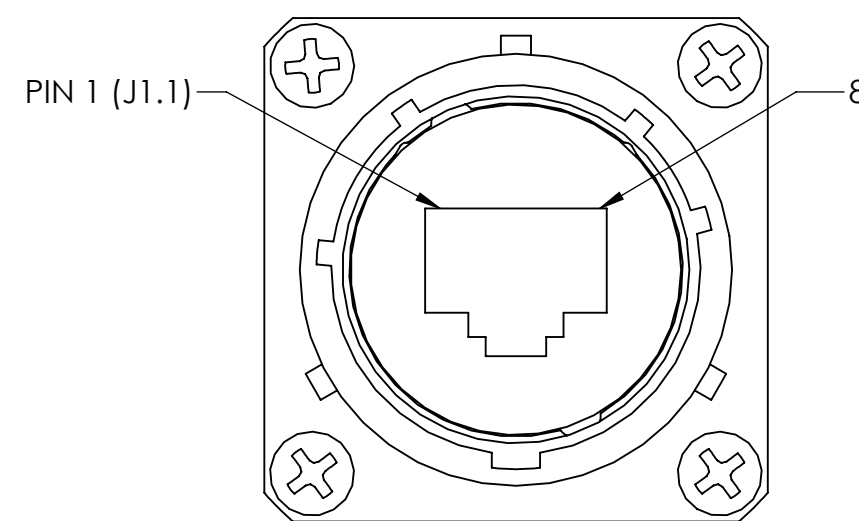
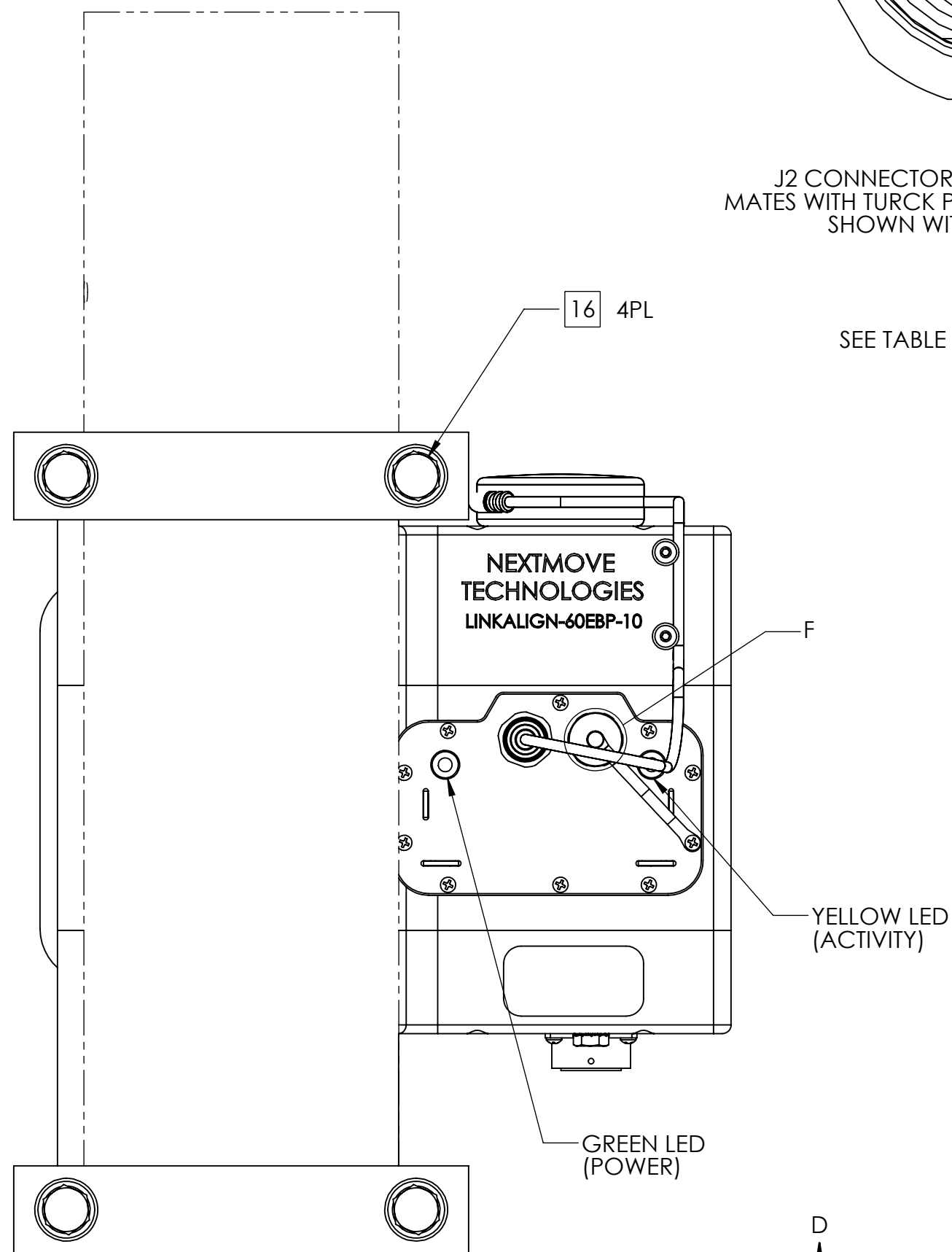


TABLE III (PoE CONNECTOR)	
CONNECTOR DESIGNATION	FUNCTION
J1.1	DATA PAIR 1
J1.2	DATA PAIR 1
J1.3	DATA PAIR 2
J1.4	+50-57VDC PoE POWER INPUT
J1.5	+50-57VDC PoE POWER INPUT
J1.6	DATA PAIR 2
J1.7	DC RETURN FOR PoE INPUT
J1.8	DC RETURN FOR PoE INPUT

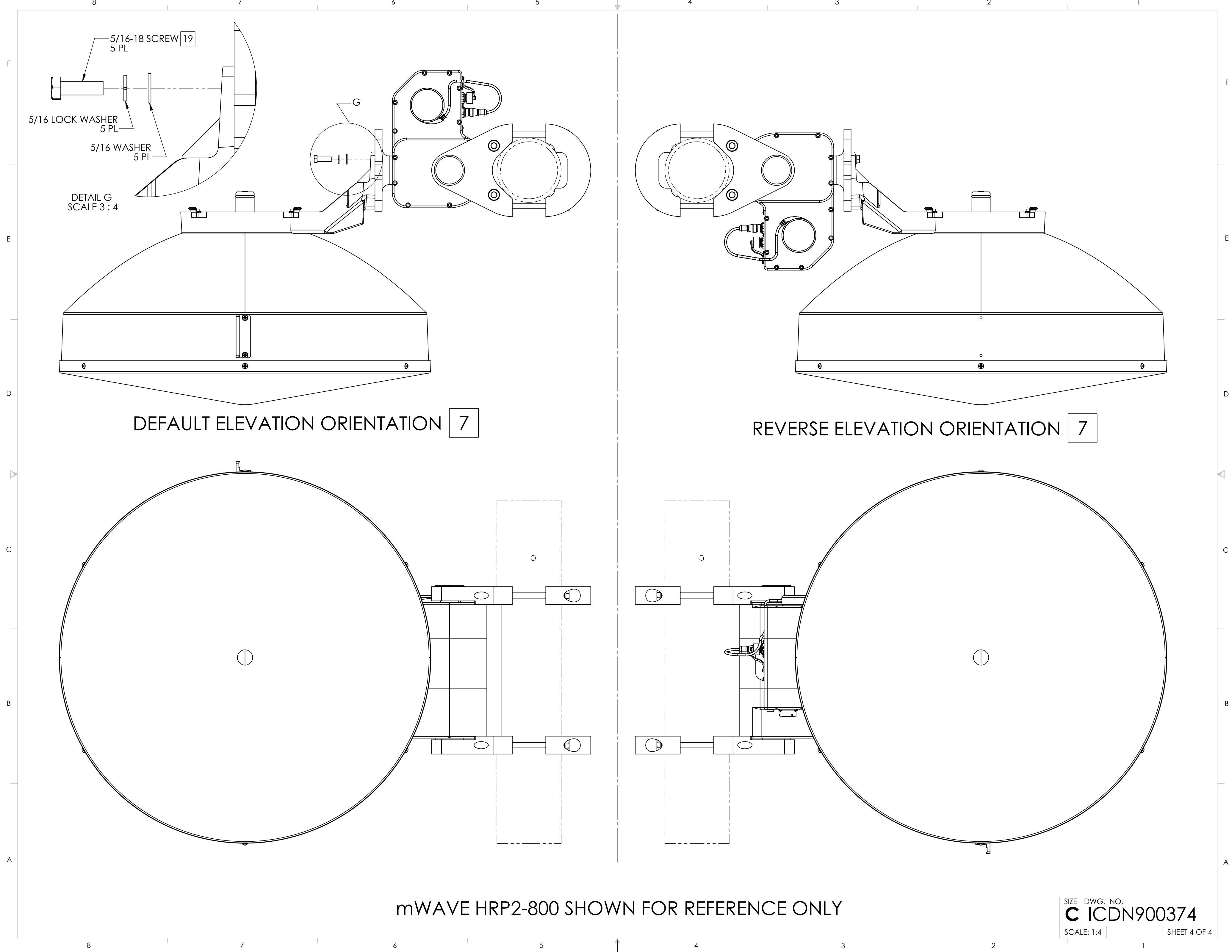
J1 CONNECTOR SHOWN FROM MATING SIDE
MATES WITH AMPHENOL P/N - RJF6B

DETAIL E
SCALE 2 : 1

SEE TABLE III FOR PINOUT DETAILS



VIEW C-C
SHEET 2
ZONE A-8



DEFAULT ELEVATION ORIENTATION 7

REVERSE ELEVATION ORIENTATION 7

mWAVE HRP2-800 SHOWN FOR REFERENCE ONLY