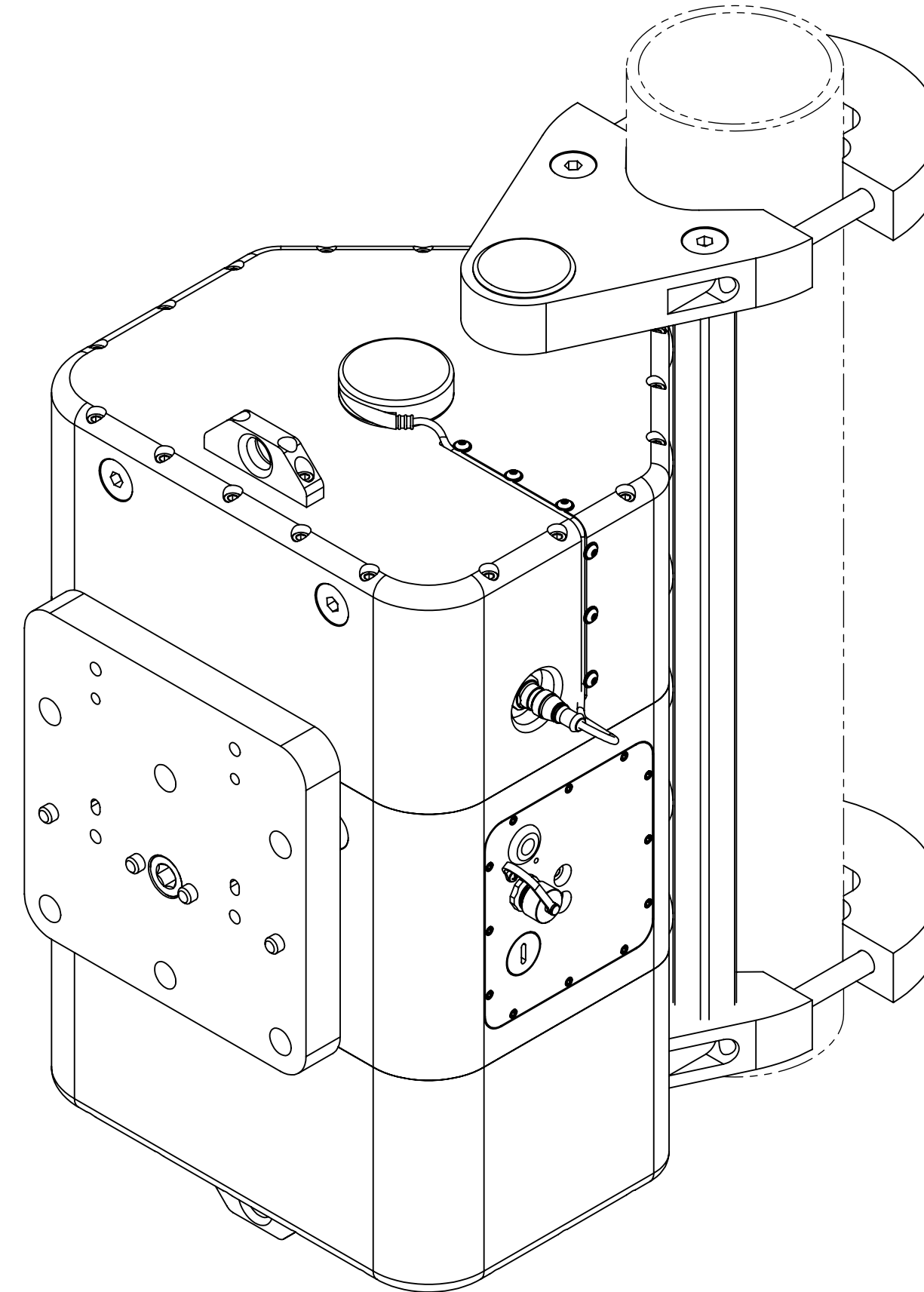


REV	DESCRIPTION	DATE	APPROVED
D	CN600976	2021-08-04	CLC

NOTES: UNLESS OTHERWISE SPECIFIED

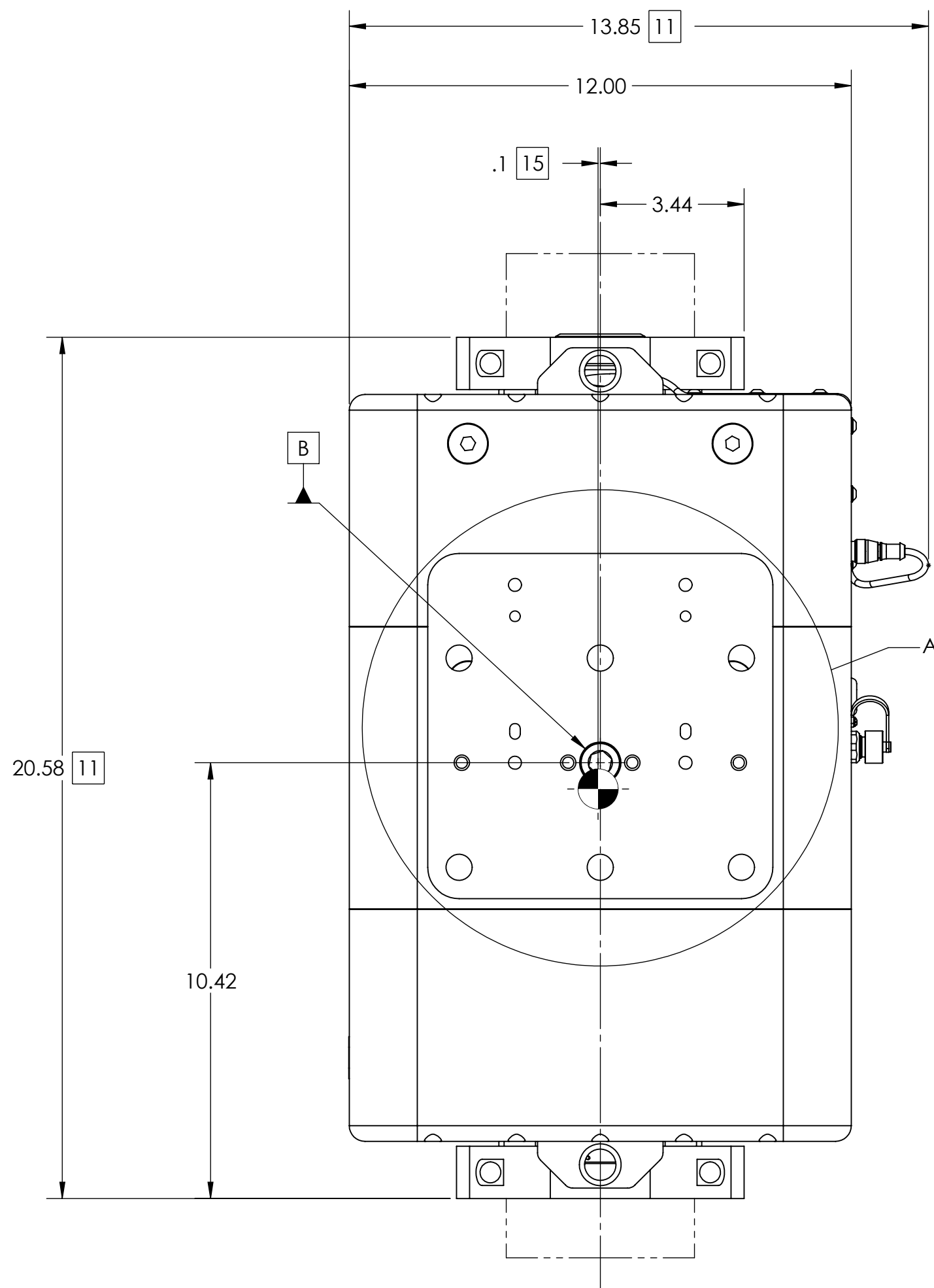
- LINKALIGN-60EBP-30 CONFIGURABLE OPTIONS PER TABLE I.
- USE INTERFACE CONTROL DRAWING IN CONJUNCTION WITH DATASHEET N500145
- SEE TABLE II FOR AVAILABLE LINKALIGN-60EBP-30 ACCESSORY OPTIONS
- POSITIONER SHALL BE POWERED BY POWER OVER ETHERNET 50 - 57 VDC, 4 PAIR, PoH (INDOOR RATED 54 VDC POWER SUPPLY INCLUDED WITH POSITIONER, NOT SHOWN IN DRAWING). OPTIONAL DC POWER INPUT MAY BE USED AS ALTERNATE POWER, 20-60 V. STANDBY POWER SHALL DRAW LESS THAN 16 W. MAXIMUM POWER DRAW SHALL BE 95 W
- EXTERNAL CONSTRUCTION: HARD COAT ANODIZE ALUMINUM WITH STAINLESS STEEL HARDWARE
- 60° (+/-30°) AZIMUTH TRAVEL WITH 0.47°/SEC DRIVE RATE (NO LOAD)
- 60° (+/-30°) ELEVATION TRAVEL WITH 0.47°/SEC DRIVE RATE (NO LOAD). POSITIONER CAN BE MOUNTED ON EITHER SIDE OF THE MAST. SOFTWARE FEATURES ALLOW FOR THE ELEVATION DIRECTION TO BE REVERSED
- 18° TO 140°F (-28° TO 60°C) OPERATIONAL TEMPERATURE RANGE. -40 TO 158°F (-40 TO 70°C) NON-OPERATIONAL TEMPERATURE RANGE. MINIMUM TEMPERATURE SPECIFIED AT NO LOAD
- 0.01° FEEDBACK RESOLUTION IN BOTH AXES
- AZIMUTH AND ELEVATION BACKLASH LESS THAN 0.03°
- ENVELOPE DIMENSIONS WHEN MOUNTED TO A 4.5" O.D. MAST ARE 20.58" (52.3 cm) HIGH X 13.85" (35.2 cm) WIDE X 16.69" (42.4 cm) DEEP. DIMENSIONS APPLY WHEN POSITIONER IS AT 0° AZIMUTH AND 0° ELEVATION ANGLES
- WEIGHT APPROXIMATELY 100 LBS (45.4 kg)
- PAYLOAD SHALL NOT EXCEED 300 LBS OR 150 FT-LBS OF OPERATIONAL TORQUE ABOUT THE AZIMUTH OR ELEVATION AXIS NOTED BY DATUM C AND B RESPECTIVELY. MAXIMUM OPERATING TORQUE MAY BE REDUCED AT TEMPERATURES BELOW -25°C AND/OR WITH USE OF PERIPHERAL DEVICES
- POSITIONER CLAMPS TO 3" - 4.5" OUTSIDE DIAMETER MAST (NOT INCLUDED). 4.5" O.D. MAST SHOWN THROUGHOUT THIS DRAWING
- CENTER OF GRAVITY 7.1" (18.0 cm) IN THE X-DIRECTION, 0.1" (0.3 cm) IN THE Y-DIRECTION AND 0.6" (1.5 cm) IN THE Z-DIRECTION FROM THE CORRESPONDING DATUM A, B, OR C
- TORQUE THE INDICATED POSITIONER CLAMP FASTENERS (1/2-13 X 5.0" LONG STAINLESS STEEL HEX HEAD SCREWS) TO 45 FT-LBS
- NON-OPERATIONAL WIND LOADING TORQUE SHALL NOT EXCEED 1500 FT-LBS ON THE AZIMUTH OR ELEVATION AXIS NOTED BY DATUM C AND B RESPECTIVELY
- ANTENNA MOUNTING PLATE INTERFACES TO MOST 3-4 FOOT SIDE ARM MOUNT ANTENNAS. ADDITIONAL ADAPTER BRACKETS ARE AVAILABLE UPON REQUEST TO INTERFACE WITH OTHER ANTENNA MANUFACTURERS
- TORQUE ANTENNA MOUNTING HARDWARE (5/8-11 X 1.5" LONG STAINLESS STEEL HEX HEAD SCREWS) TO 150 FT-LB (HARDWARE NOT SHOWN)



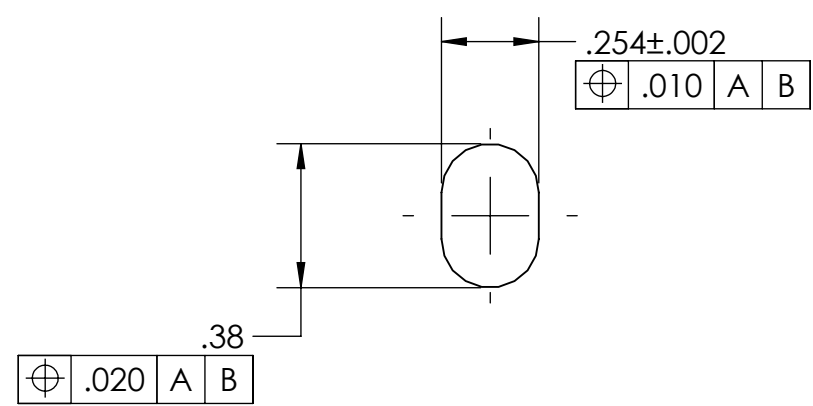
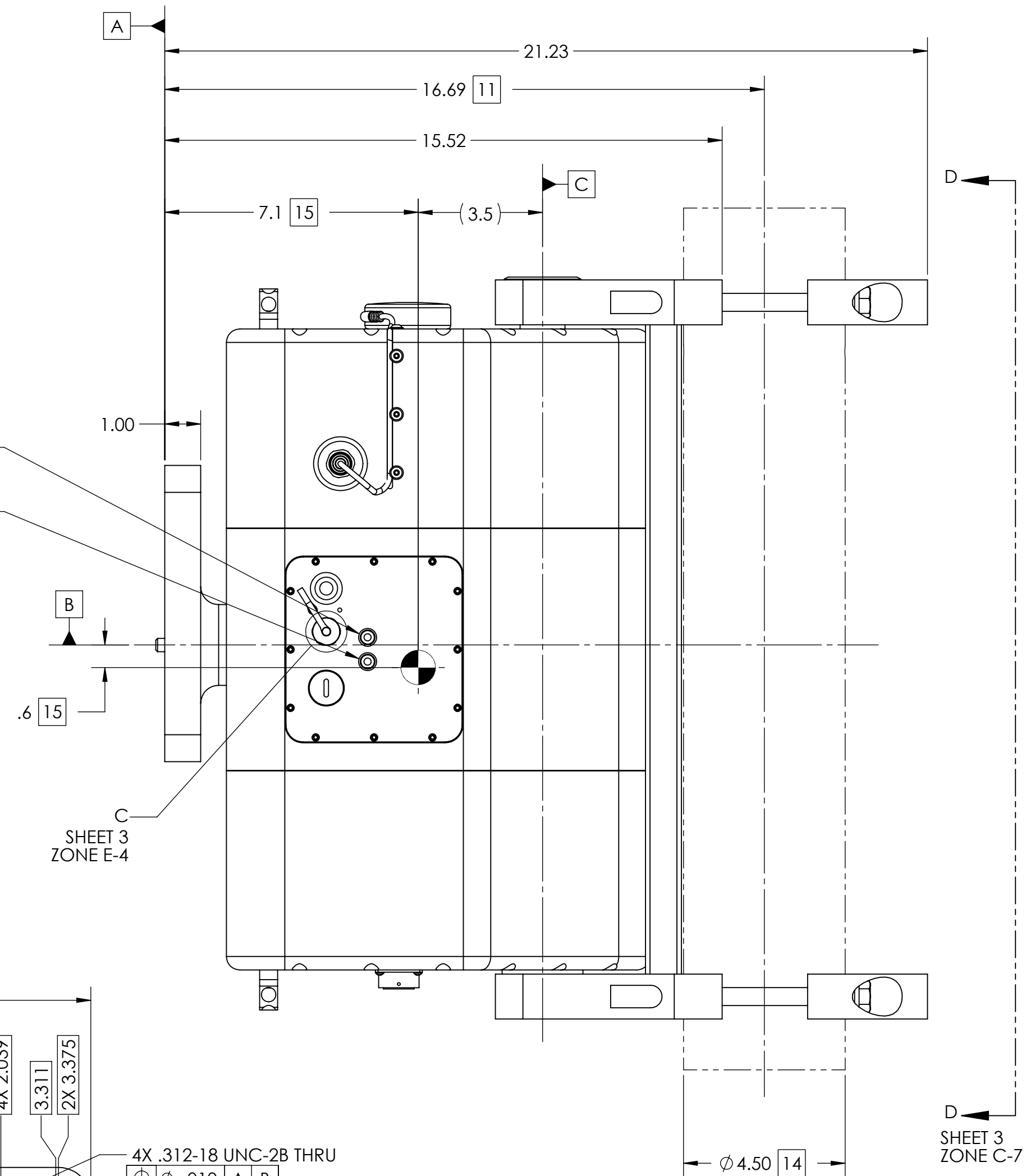
BUILDING A PART NUMBER		STANDARD OPTIONS
LA-60EBP	- 30 - 100	<<EXAMPLE
		<b>SHIELDED ETHERNET CABLE STANDARD LENGTHS</b>
		050 = 50 ft
		100 = 100 ft
		150 = 150 ft
		200 = 200 ft
		250 = 250 ft
		300 = 300 ft
		XXX = Custom length in feet
		XXXC = Add "C" to end of cable length for unterminated mating connector
		<b>CUSTOM CONFIGURATION</b>
		= Standard options - leave blank
		<b>MOTOR DRIVES AND PAYLOAD</b>
		30 = Az/El Travel @ 0.5°/s, El Torque 150 ft-lbs, 300 lb payload. Typically paired with 4 ft side arm mount antenna
		<b>MODEL</b>
		LA-60EBP = LinkAlign-60EBP (+/-30° azimuth, +/-30° elevation)

TABLE II - EBP-30 ACCESSORY OPTIONS		
ACCESSORY DESCRIPTION	ACCESSORY PART NUMBER	ACCESSORY ICD
GPS HEADING UNIT	ACC-N900502-24	ICDN900502
ADAPTER BRACKET KIT, GPS HEADING UNIT TO EBP SERIES	ANTB-N900712-1	ICDN900712
ADAPTER BRACKET KIT, GPS HEADING UNIT TO EBP SERIES	ANTB-N900832-1	ICDN900832

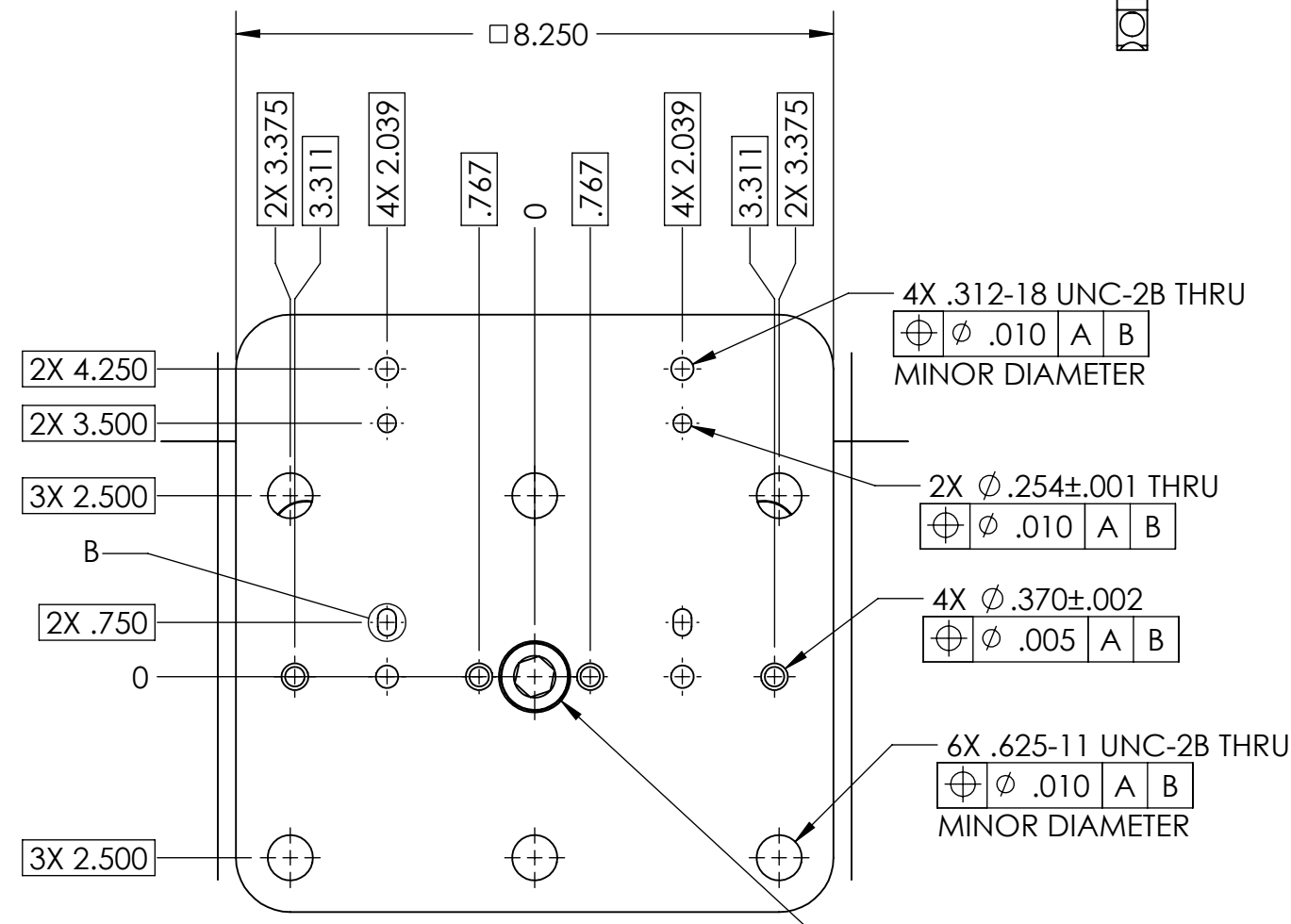
SYMBOL KEY		UNLESS OTHERWISE SPECIFIED:		DRAWN		NEXTMOVE TECHNOLOGIES	
□ NOTE	○ PL ITEMS	DIMENSIONS ARE IN INCHES		CHEYNE	2018-05-01	TITLE: LINKALIGN-60EBP-30 INTERFACE CONTROL DRAWING	
<b>PROPRIETARY AND CONFIDENTIAL</b> THE INFORMATION CONTAINED IN THIS DRAWING IS THE SOLE PROPERTY OF NEXTMOVE TECHNOLOGIES. ANY REPRODUCTION IN PART OR AS A WHOLE WITHOUT THE WRITTEN PERMISSION OF NEXTMOVE TECHNOLOGIES IS PROHIBITED.		TOLERANCES:		CHEYNE	2018-05-01		
		ANGLE ± 5 DEGREES		ME APPR.	CHEYNE		
		TWO PLACE DECIMAL ±.030		EE APPR.			
		THREE PLACE DECIMAL ±.010				SIZE DWG. NO.	
		INTERPRET DIM AND TOL PER ASME Y14.5M - 1994				REV	
		<b>THIRD ANGLE PROJECTION</b>		PART NO.		SCALE: 1:3	
		DO NOT SCALE DRAWING		SEE TABLE I		SHEET 1 OF 3	
		NEXTMOVE TECHNOLOGIES, LLC MILFORD, NH 03055 www.nextmove.tech.com				C ICDN900498 D	



GREEN LED  
(POWER)  
YELLOW LED  
(ACTIVITY)

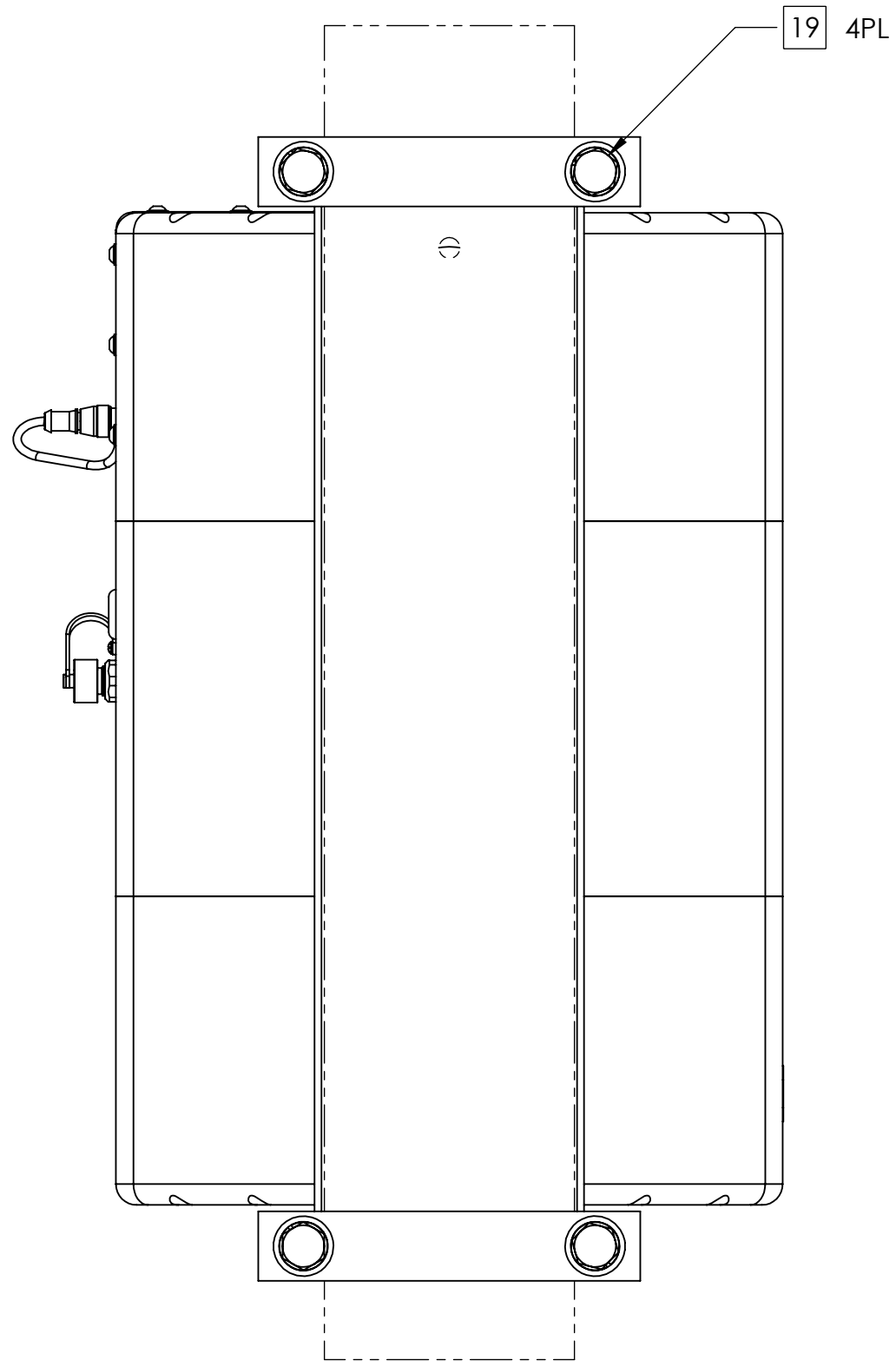


DETAIL B  
SCALE 2 : 1  
2 PLACES

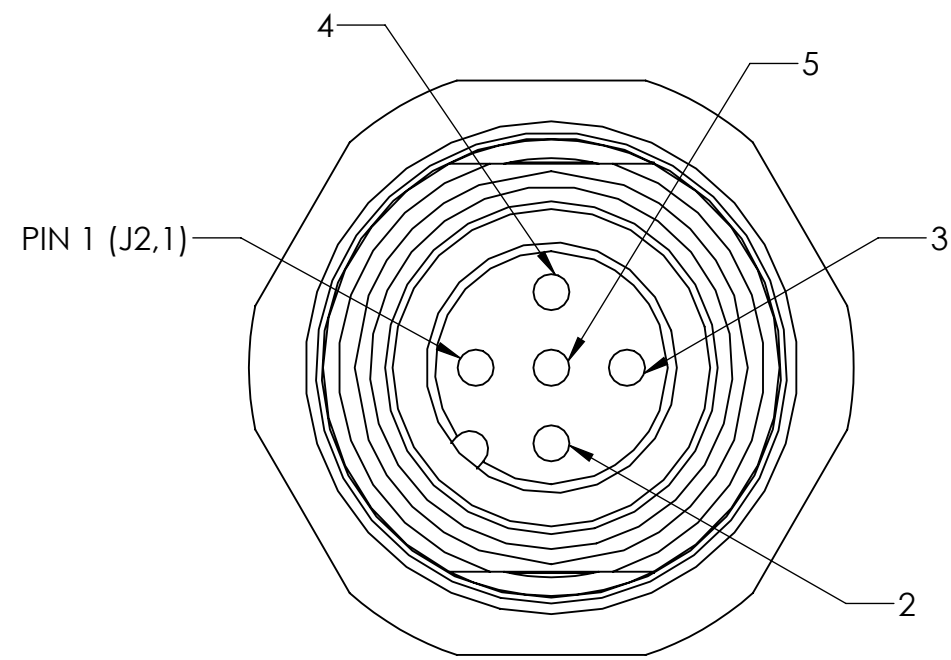


DETAIL A  
SCALE 2 : 5  
ANTENNA MOUNTING FEATURES

[18]



VIEW D-D  
SHEET 2  
ZONE B-1



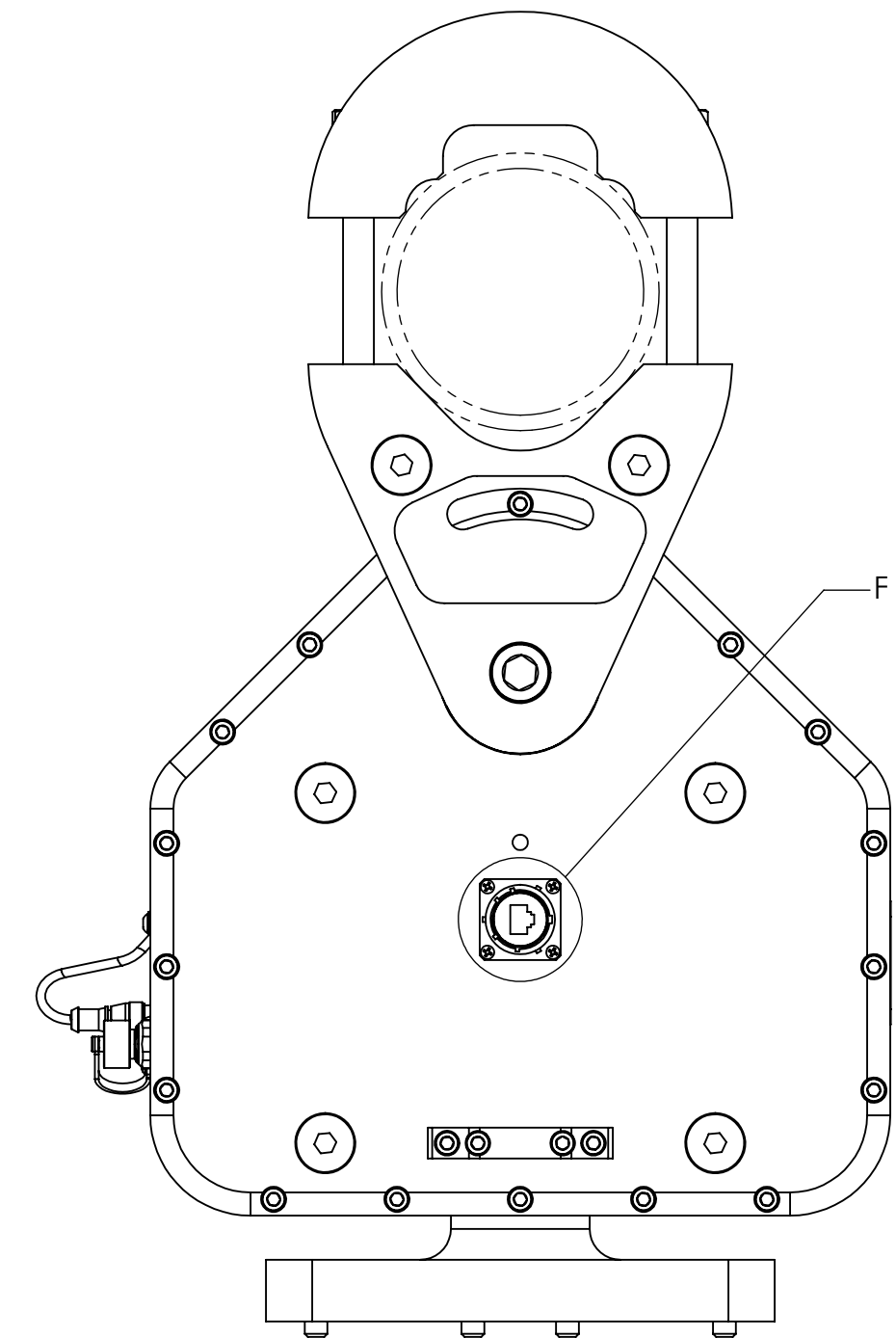
INTERCONNECT FOR ALTERNATE DC POWER  
J2 CONNECTOR SHOWN FROM MATING SIDE  
MATES WITH TURCK P/N RK 4.5T-\* (\*LENGTH IN METERS)  
SHOWN WITHOUT PROTECTIVE CAP

DETAIL C  
SCALE 4 : 1  
SHEET 2  
ZONE C-4

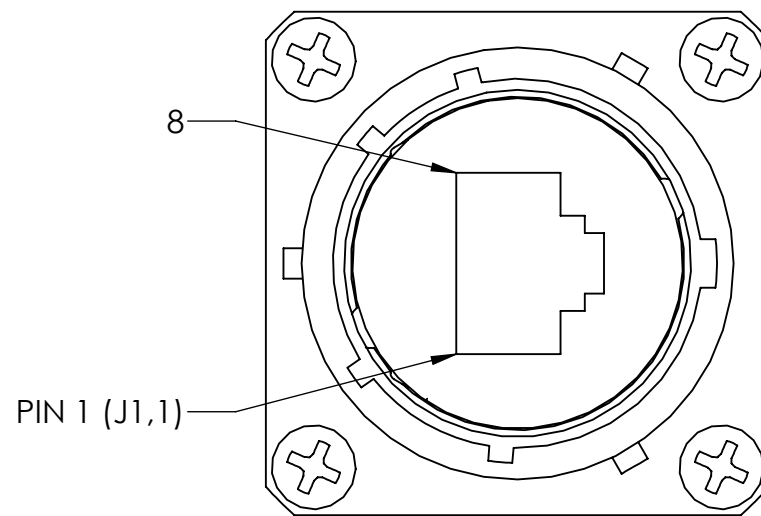
SEE TABLE IV FOR PINOUT DETAILS

4

TABLE IV (DC POWER CONNECTOR)	
CONNECTOR DESIGNATION	FUNCTION
J2.1	N/C
J2.2	N/C
J2.3	+20-60 VDC POWER INPUT
J2.4	N/C
J2.5	GND



VIEW E-E



INTERCONNECT FOR POSITIONER PoE  
J1 CONNECTOR SHOWN FROM MATING SIDE  
MATES WITH AMPHENOL P/N - RJF6B

DETAIL F  
SCALE 2 : 1

SEE TABLE III FOR PINOUT DETAILS

TABLE III (PoE CONNECTOR)	
CONNECTOR DESIGNATION	FUNCTION
J1.1	DATA PAIR 1
J1.2	DATA PAIR 1
J1.3	DATA PAIR 2
J1.4	+50-57VDC PoE POWER INPUT
J1.5	+50-57VDC PoE POWER INPUT
J1.6	DATA PAIR 2
J1.7	DC RETURN FOR PoE INPUT
J1.8	DC RETURN FOR PoE INPUT