

REV	DESCRIPTION	DATE	APPROVED
G	CN601042	2022-02-28	CLC

NOTES: UNLESS OTHERWISE SPECIFIED

1. LINKALIGN-15LPT-40 CONFIGURABLE OPTIONS PER TABLE I
2. USE INTERFACE CONTROL DRAWING IN CONJUNCTION WITH DATASHEET N500109
3. POSITIONER POWERED BY POWER OVER ETHERNET 50-57 VDC, 4 PAIR, PoH (INDOOR RATED 54 VDC POWER SUPPLY INCLUDED WITH POSITIONER. NOT SHOWN IN DRAWING). STANDBY POWER DRAWS LESS THAN 16 W. MAXIMUM POWER DRAW, 95 W
4. EXTERNAL MATERIAL: HARD COAT ANNOXIDIZED ALUMINUM WITH STAINLESS STEEL OR CORROSION RESISTANT ALLOY STEEL HARDWARE
5. 15° (+/-7.5°) AZIMUTH TRAVEL WITH 0.07°/SEC DRIVE RATE
6. 15° (+/-7.5°) ELEVATION TRAVEL WITH 0.07°/SEC DRIVE RATE
7. -4° TO 140°F (-20° TO 60°C) OPERATIONAL TEMPERATURE RANGE. -40° TO 158°F (-40° TO 70°C) NON-OPERATIONAL TEMPERATURE RANGE
8. +/-0.05° PAN/TILT REPEATABILITY
9. 65 MPH (104KPH) OPERATIONAL WIND SPEED WITH GUSTS UP TO 80 MPH (128 KPH). 124 MPH (200 KPH) SURVIVAL WIND SPEED. ASSUMES 6' DIAMETER DISH WITH RADOME
10. ENVELOPE DIMENSIONS WHEN MOUNTED TO A 4.5" O.D. MAST ARE 37.17" (94.4 cm) HIGH X 37.17" (94.4 cm) WIDE X 22.44" (57.0 cm) DEEP. DEPTH MEASURED TO CENTER OF 4.5" DIAMETER MOUNTING POLE
11. WEIGHT APPROXIMATELY 140 LBS (64 kg)
12. PAYLOAD SHALL NOT EXCEED 300 LBS (136kg) OR 500 FT-LBS (678 Nm) OF OPERATIONAL TORQUE ABOUT THE AZIMUTH OR ELEVATION AXIS
13. MOUNTS TO STANDARD 4.5" O.D. POLE (NOT INCLUDED) WITH 3 SUPPLIED U-BOLTS SHOWN
14. CONFIGURATION SHOWN CONTAINS MOUNTING HOLES THAT DIRECTLY INTERFACE WITH 6' DIAMETER COMSCOPE ANTENNA PART NUMBERS UHX6-59W-P3A/B AND VHLPX6-6W-6WH/A. ADAPTER MAY BE REQUIRED TO INTERFACE WITH OTHER MAKES AND MODELS
15. A MINIMUM OF ONE TIE-BACK STRUT ON BOTH SIDES OF THE MOUNTING POLE MUST BE INSTALLED (NOT INCLUDED) TO PREVENT POSITIONER FROM TWISTING ON MOUNT FROM WIND. ENSURE THAT THE STRUTS ARE INSTALLED SUCH THAT THE ANGLE THAT ARE MOUNTED AT DOES NOT EXCEED THE ANGLE SHOWN. RECOMMENDED TIE-BACK STRUT, VENDOR: VALMONT SITE PRO 1, VENDOR PART NUMBER: SPTB
16. APPLY LOCTITE THREADLOCKER BLUE 242 TO THREADS OF INDICATED FASTENERS
17. TORQUE INDICATED STAINLESS STEEL 1/2-13 FASTENERS TO 136 FT-LBS
18. TORQUE INDICATED CORROSION RESISTANT ALLOY STEEL 1/2-13 FASTENERS TO 136 FT-LBS
19. DO NOT LIFT FROM LINEAR ACTUATORS. ENSURE ALL LIFTING STRAPS ARE CLEAR OF MATING CONNECTORS AS TO NOT DAMAGE THE POSITIONER
20. CENTER OF GRAVITY 0.3" (0.8 cm) IN THE Y-DIRECTION AND 0" IN THE X-DIRECTION MEASURED FROM THE HORIZONTAL CENTER OF THE POSITIONER. CENTER OF GRAVITY 11.0" (27.9 cm) IN THE Z-DIRECTION MEASURED FROM THE CENTER OF THE 4.5" DIAMETER MOUNTING POLE
21. MINIMUM OF QUANTITY 4 ANTENNA MOUNTING FASTENERS REQUIRED, FASTENERS SHOULD BE AS EQUALLY SPACED AS POSSIBLE. NEXTMOVE SUPPLIES QUANTITY 8 ANTENNA MOUNTING FASTENERS.
22. ENSURE INDICATED SCREWS USED TO SECURE TIE-BACK STRUT IS FULLY THREADED INTO HOLE THEN TIGHTEN NUT

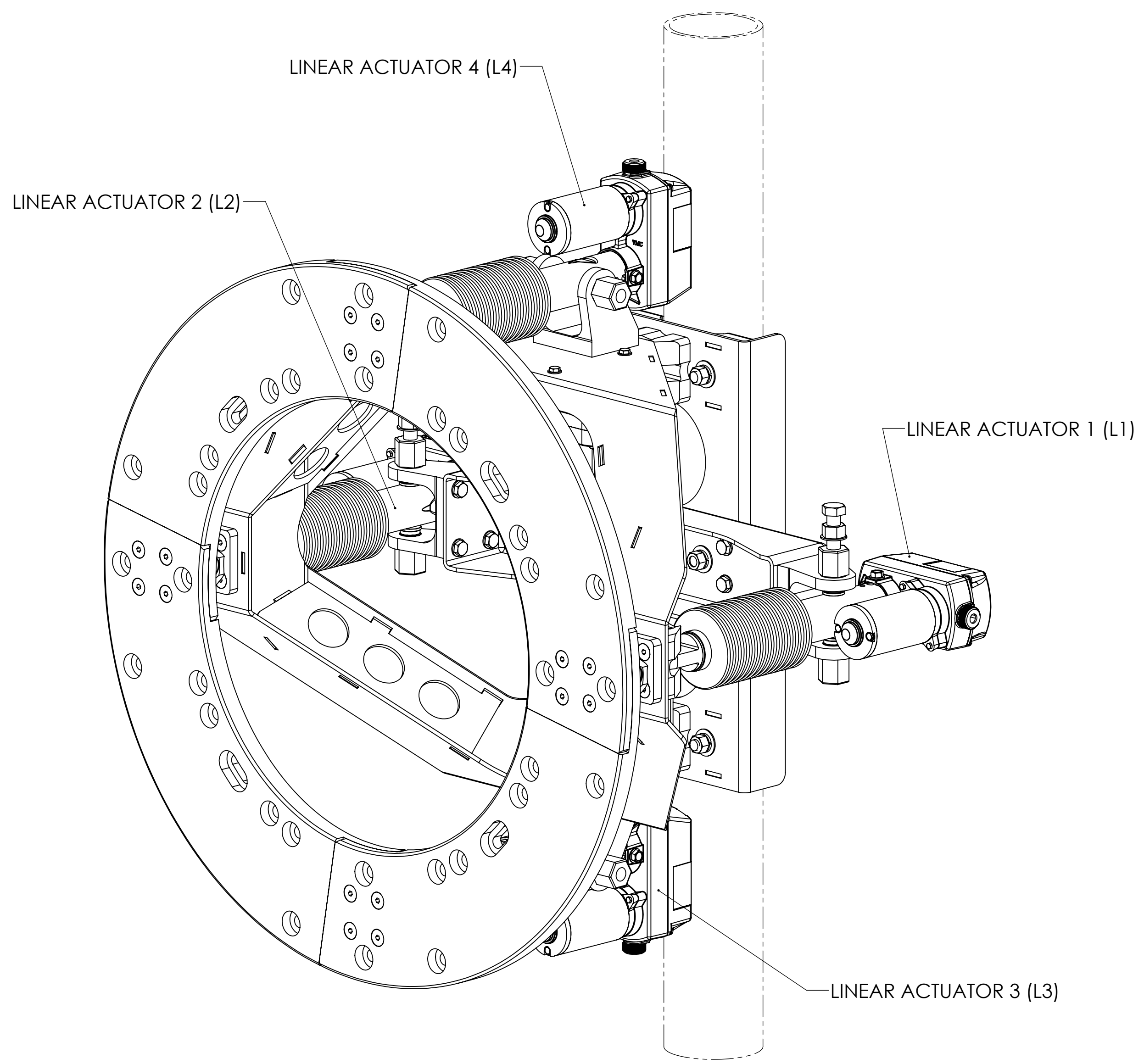
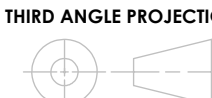
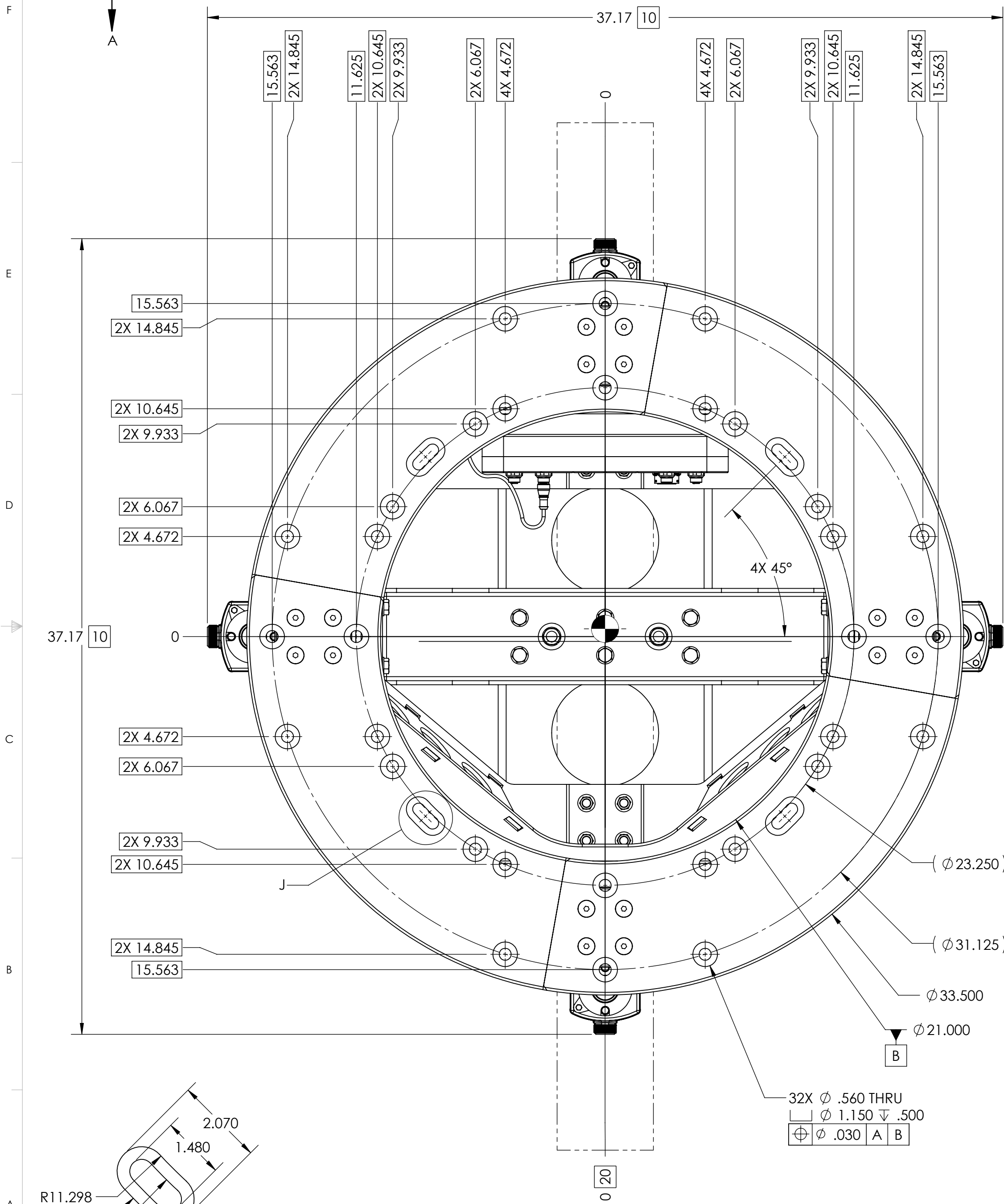


TABLE I

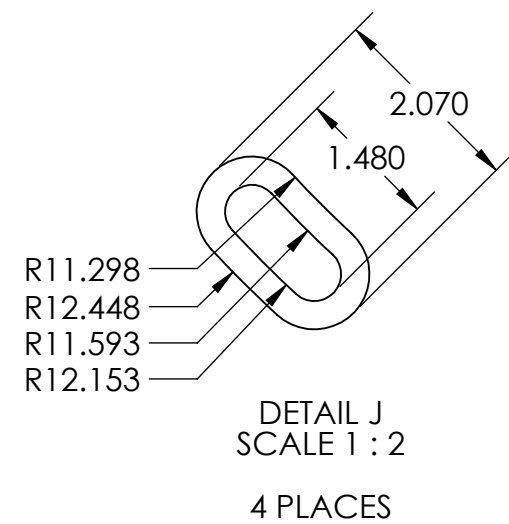
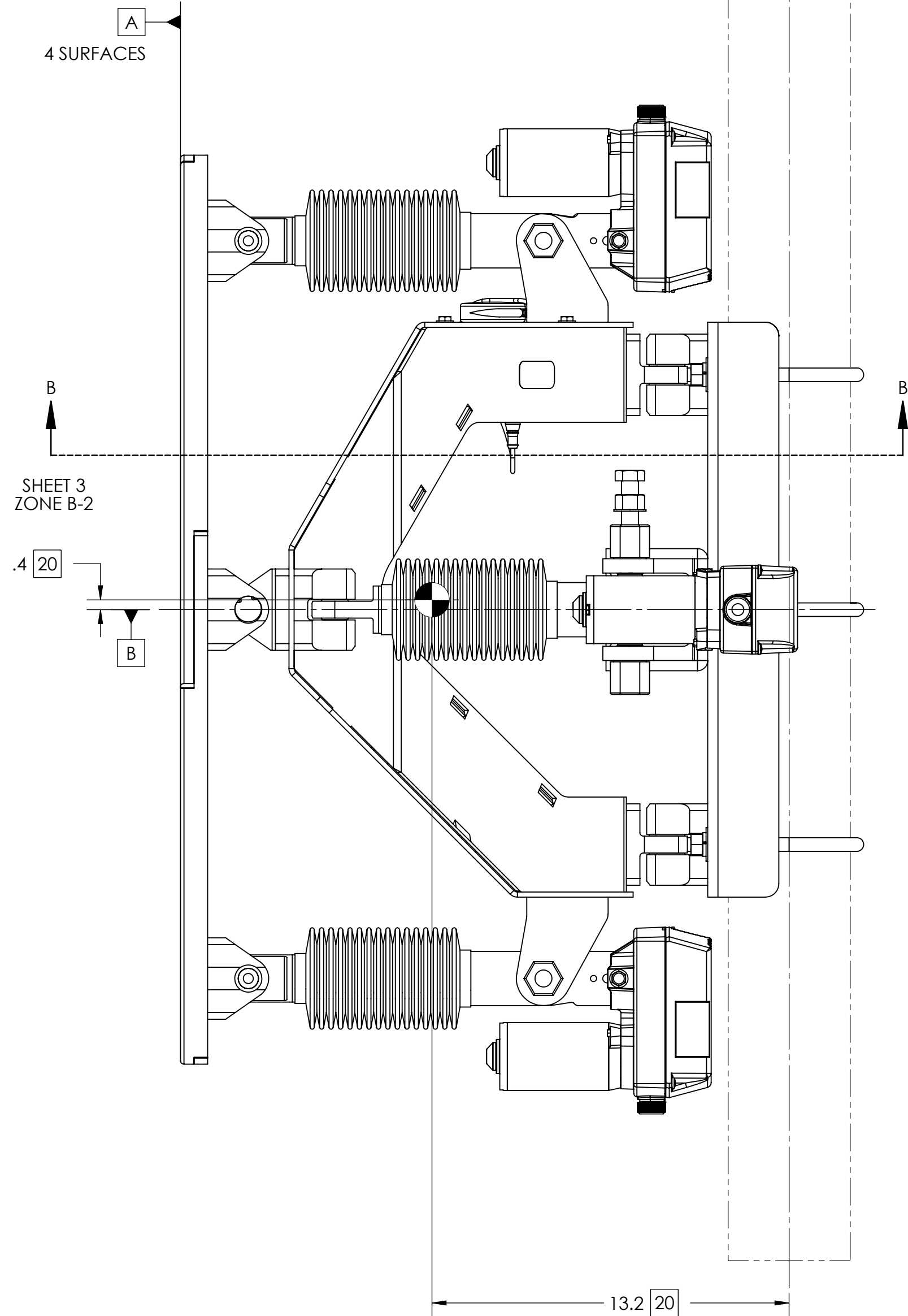
BUILDING A PART NUMBER	STANDARD OPTIONS
LA-15LPT - 40 - 100	<<EXAMPLE
	SHIELDED ETHERNET CABLE STANDARD LENGTHS
	050 = 50 ft
	100 = 100 ft
	150 = 150 ft
	200 = 200 ft
	250 = 250 ft
	300 = 300 ft
	XXX = Custom length in feet
	XXXX = Add "C" to end of cable length for unterminated mating connector
	CUSTOM CONFIGURATION
	= Standard options - leave blank
	MOTOR DRIVES AND PAYLOAD
	40 = Az/EI Travel @0.07°/s, EI Torque 500 ft-lbs, 300 lb payload. Typically paired with 4-6 ft antenna
	MODEL
	LA-15LPT-40 = LinkAlign-15LPT-40 (+/-7.5° azimuth, +/-7.5° elevation)

SYMBOL KEY <input type="checkbox"/> NOTE <input type="checkbox"/> PL ITEMS PROPRIETARY AND CONFIDENTIAL THE INFORMATION CONTAINED IN THIS DRAWING IS THE SOLE PROPERTY OF NEXTMOVE TECHNOLOGIES. ANY REPRODUCTION IN PART OR AS A WHOLE WITHOUT THE WRITTEN PERMISSION OF NEXTMOVE TECHNOLOGIES IS PROHIBITED. NEXTMOVE TECHNOLOGIES, LLC HOLLIS, NH 03049 www.nextmove.tech.com	UNLESS OTHERWISE SPECIFIED: DIMENSIONS ARE IN INCHES TOLERANCES: ANGLE ± 5 DEGREES TWO PLACE DECIMAL ±.030 THREE PLACE DECIMAL ±.010 INTERPRET DIM AND TOL PER ASME Y14.5M - 1994 THIRD ANGLE PROJECTION  DO NOT SCALE DRAWING	DRAWN S. CHEYNE 2013-10-28 CHECKED C. CHEYNE 2017-05-09 ME APPR. S. CHEYNE 2013-10-28 EE APPR. 2013-10-28	NEXTMOVE TECHNOLOGIES TITLE: LINKALIGN-15LPT-40 INTERFACE CONTROL DRAWING	
		PART NO. SEE TABLE I	SIZE DWG. NO. C ICDN900212	REV G
		SCALE: 1:4	SHEET 1 OF 5	



ANTENNA MOUNTING FEATURES

14



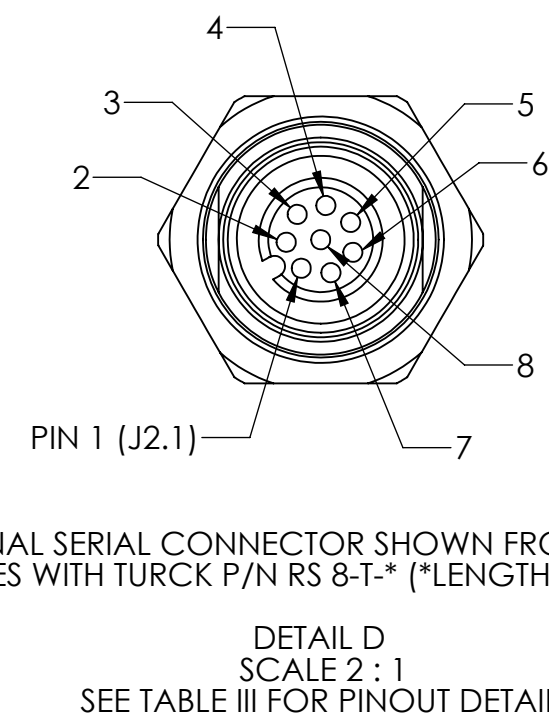
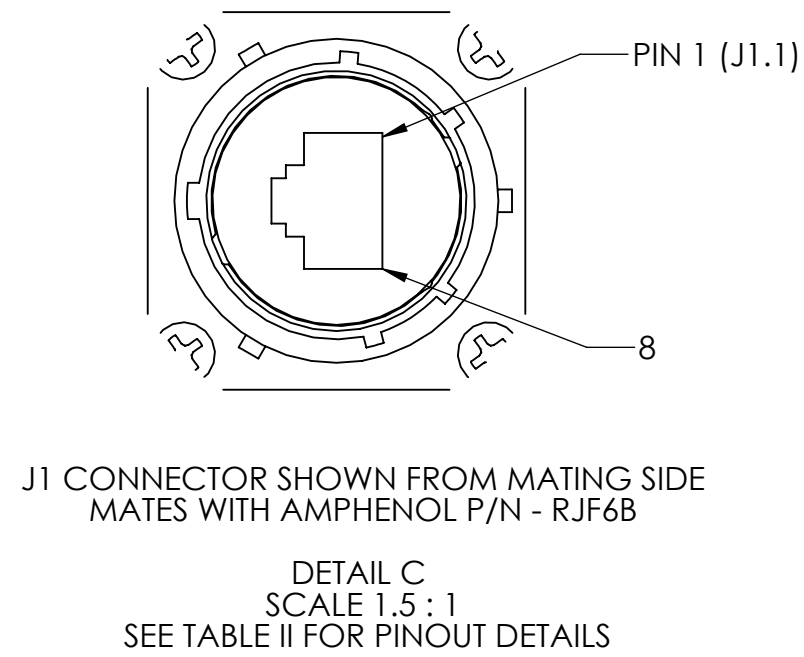
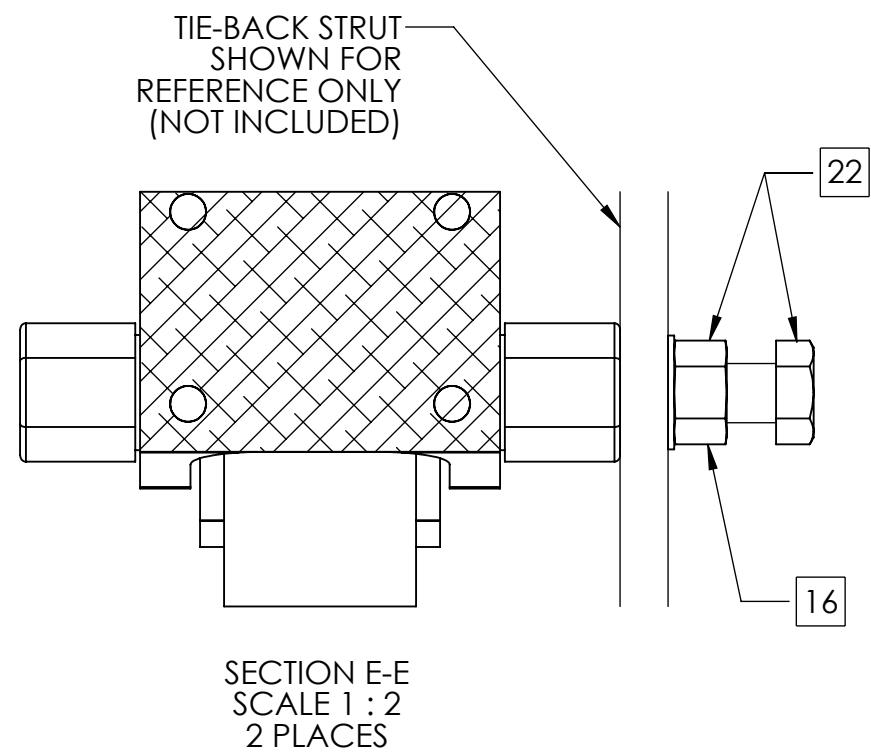
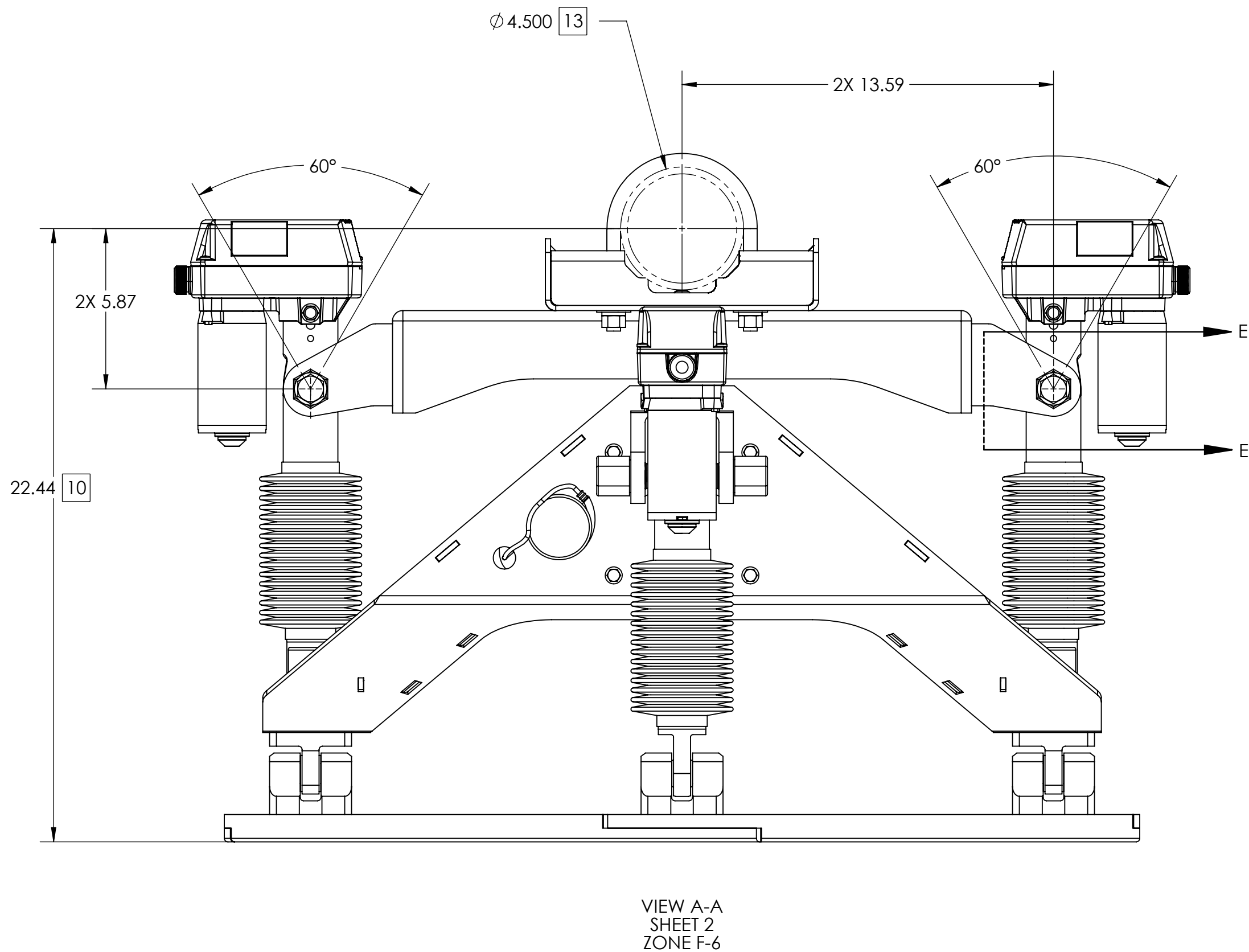


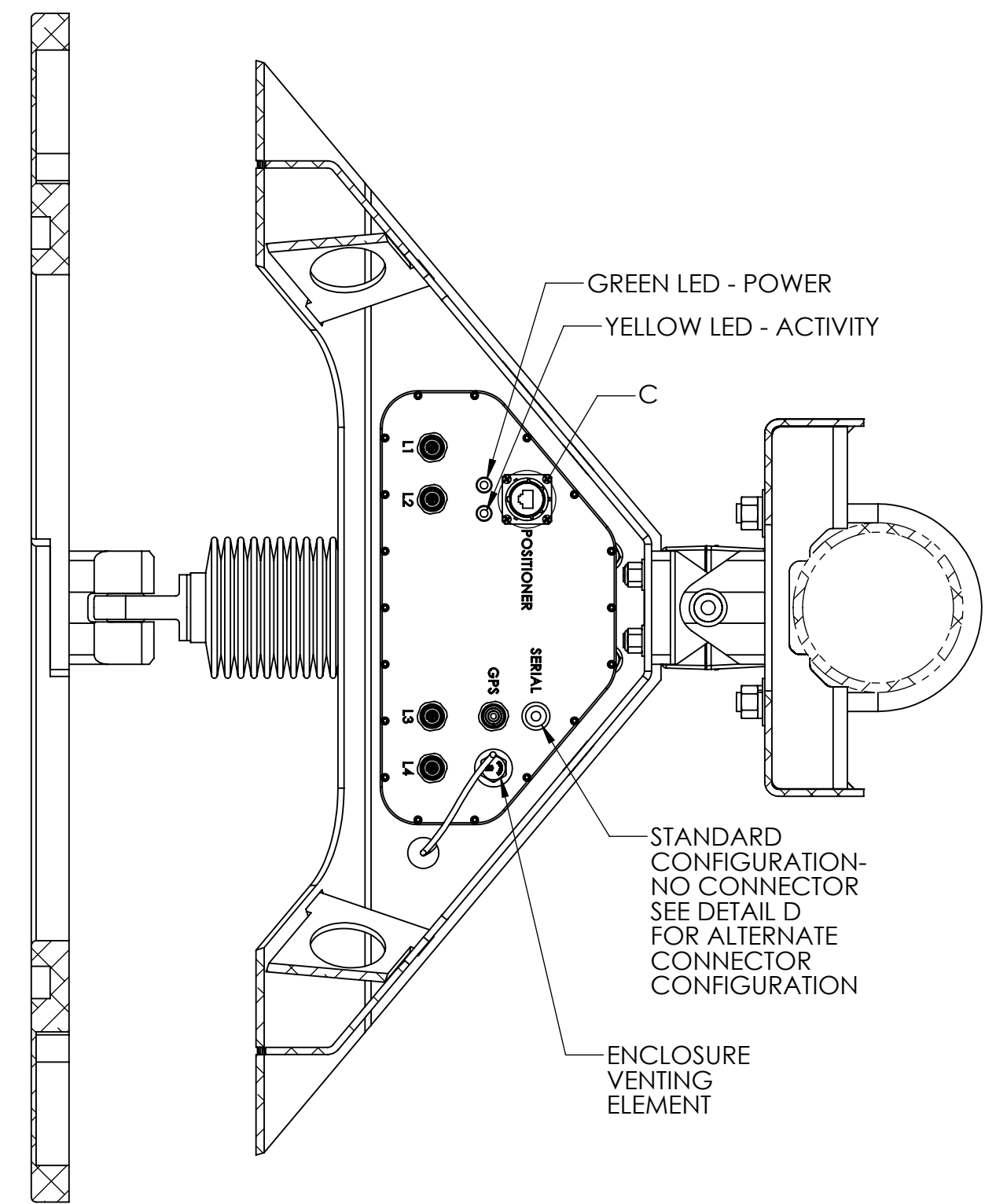
TABLE II (PoE CONNECTOR)	
CONNECTOR DESIGNATION	FUNCTION
J1.1	DATA PAIR 1
J1.2	DATA PAIR 1
J1.3	DATA PAIR 2
J1.4	+50-57VDC PoE POWER INPUT
J1.5	+50-57VDC PoE POWER INPUT
J1.6	DATA PAIR 2
J1.7	DC RETURN FOR PoE INPUT
J1.8	DC RETURN FOR PoE INPUT

TABLE III (OPTIONAL SERIAL CONNECTOR)	
CONNECTOR DESIGNATION	FUNCTION
J2.1	5V
J2.2	GND
J2.3	12V
J2.4	GND
J2.5	RS232, UART4 Tx
J2.6	RS232, UART4 Rx
J2.7	RS232, UART5 Tx
J2.8	RS232, UART5 Rx



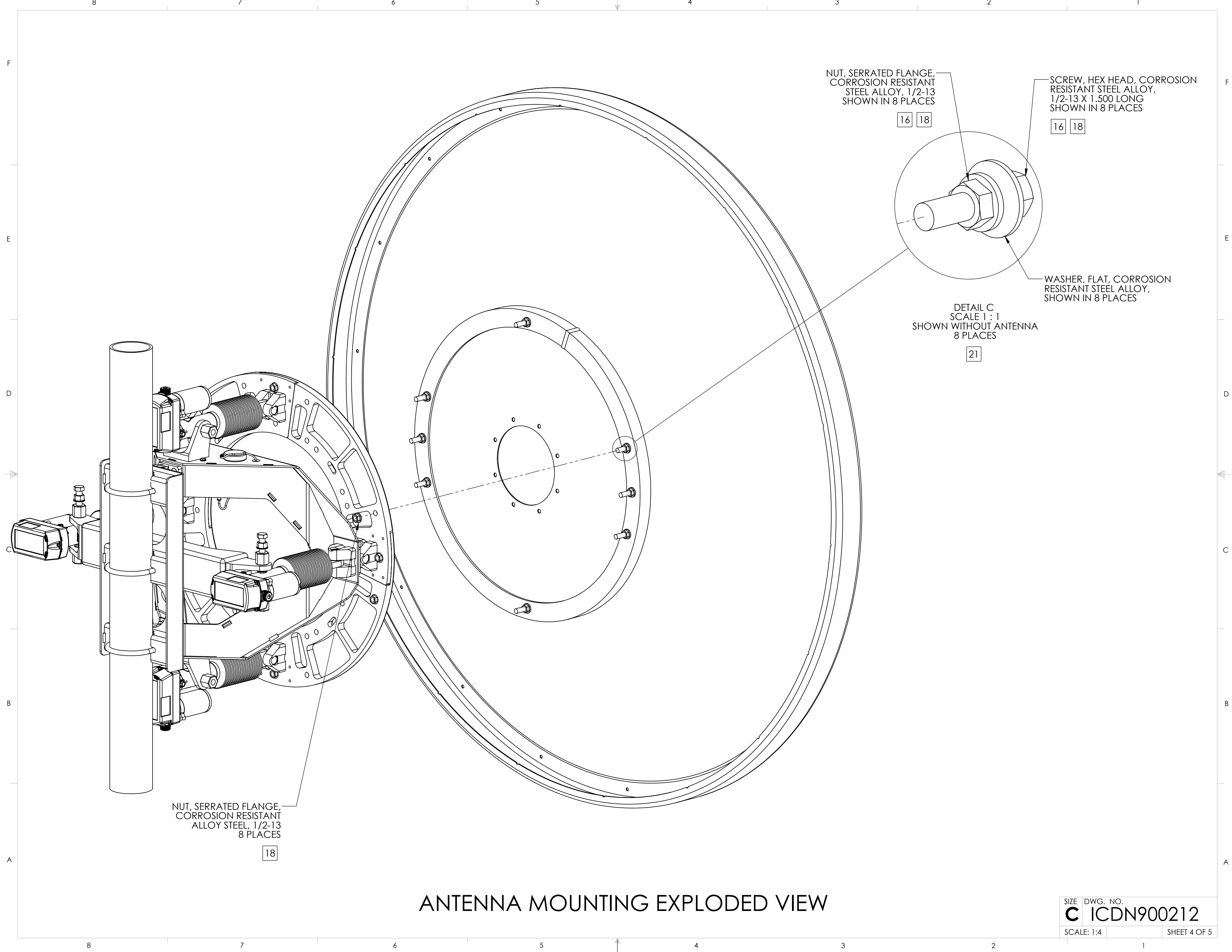
TIE-BACK STRUT INSTALLATION

15



MATING CONNECTORS

SECTION B-B
SHEET 2
ZONE D-4



NUT, SERRATED FLANGE,
CORROSION RESISTANT
STEEL ALLOY, 1/2-13
SHOWN IN 8 PLACES

16 18

SCREW, HEX HEAD, CORROSION
RESISTANT STEEL ALLOY,
1/2-13 X 1.500 LONG
SHOWN IN 8 PLACES

16 18

WASHER, FLAT, CORROSION
RESISTANT STEEL ALLOY,
SHOWN IN 8 PLACES

DETAIL C
SCALE 1 : 1
SHOWN WITHOUT ANTENNA
8 PLACES

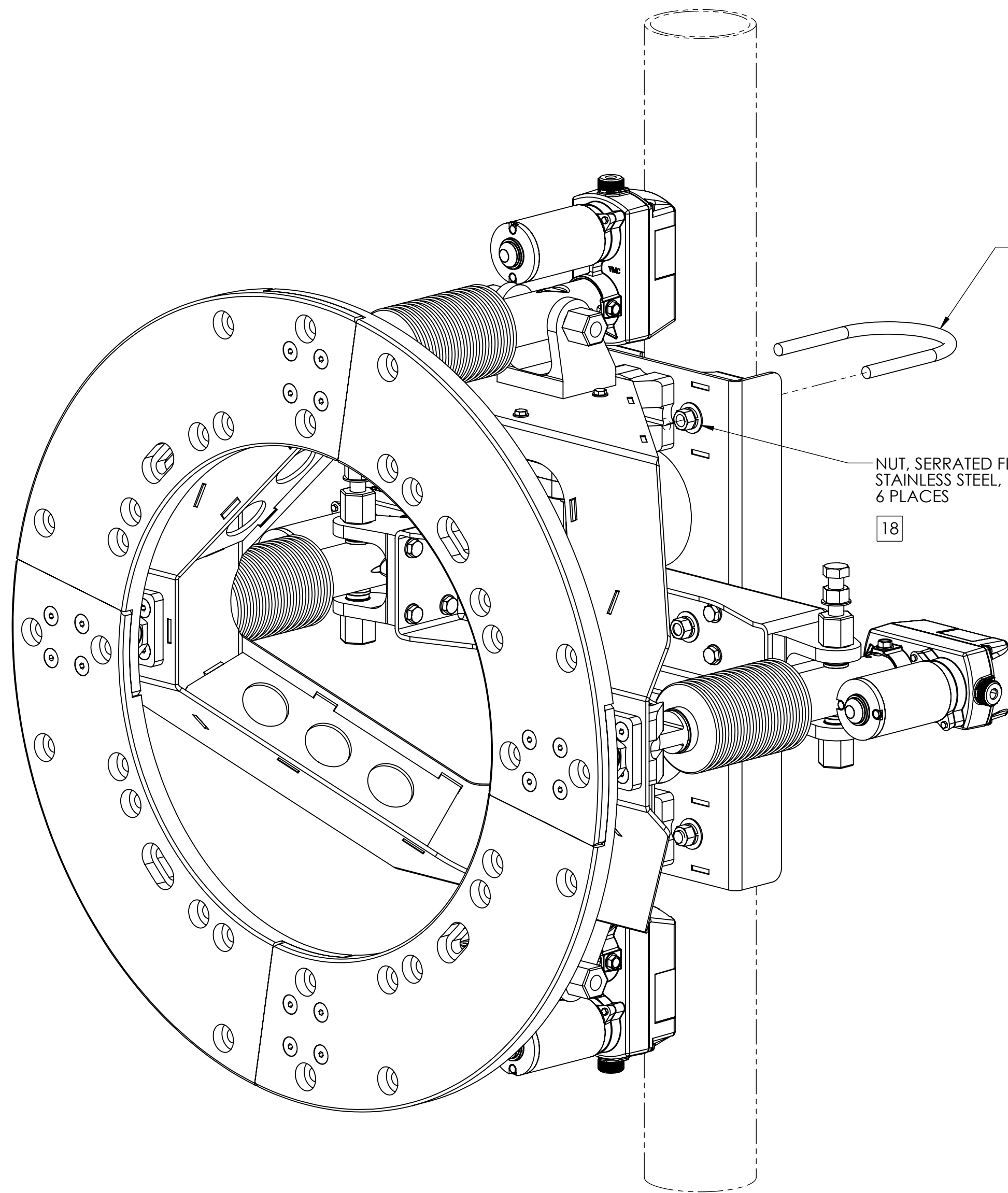
21

NUT, SERRATED FLANGE,
CORROSION RESISTANT
ALLOY STEEL, 1/2-13
8 PLACES

18

ANTENNA MOUNTING EXPLODED VIEW

SIZE	DWG. NO.
C	ICDN900212
SCALE: 1:4	SHEET 4 OF 5



POSITIONER MOUNTING EXPLODED VIEW

13