

NOTES: UNLESS OTHERWISE SPECIFIED

1. LINKALIGN-360RPT-10 CONFIGURABLE OPTIONS PER TABLE I. POSITIONER SHOWN AT AZIMUTH 0°, ELEVATION 0° THROUGHOUT THE DRAWING. PoE CABLE SHOWN NOT TO SCALE
2. USE INTERFACE CONTROL DRAWING IN CONJUNCTION WITH DATASHEET N500106
3. SEE TABLE II FOR AVAILABLE LINKALIGN-360RPT-10 ACCESSORY OPTIONS
4. POSITIONER POWERED BY POWER OVER ETHERNET 50-57 VDC, 4 PAIR, PASSIVE (INDOOR RATED 50 VDC POWER SUPPLY INCLUDED WITH POSITIONER. NOT SHOWN IN DRAWING). STANDBY POWER DRAWS LESS THAN 10 W. MAXIMUM POWER DRAW, 60 W
5. EXTERNAL CONSTRUCTION COMPRISED OF HARD COAT ANODIZED ALUMINUM CONSTRUCTION WITH STAINLESS STEEL HARDWARE
6. 400° (+/-200°) AZIMUTH TRAVEL WITH 4.5°/SEC DRIVE RATE (MAX LOAD)
7. 20° (+/-10°) ELEVATION TRAVEL WITH 2.0°/SEC DRIVE RATE (MAX LOAD)
8. 3° TO 140°F (-16° TO 60°C) OPERATIONAL TEMPERATURE RANGE. -40 TO 158°F (-40 TO 70°C) NON-OPERATIONAL TEMPERATURE RANGE. MINIMUM TEMPERATURE SPECIFIED AT NO LOAD
9. 0.1° FEEDBACK RESOLUTION IN ALL AXES
10. AZIMUTH BACKLASH LESS THAN 0.25°. ELEVATION BACKLASH LESS THAN 1°
- 11 15.22" (38.7 cm) HIGH X 8.69" (22.1 cm) WIDE X 10.63" (27.0 cm) DEEP. DIMENSIONS APPLY WHEN POSITIONER IS AT 0° AZIMUTH AND 0° ELEVATION
12. WEIGHT APPROXIMATELY 17.5 LBS (7.9 kg) NOT INCLUDING PoE CABLE
- 13 PAYLOAD SHALL NOT EXCEED 45 LBS OR 40 FT-LBS OF TORQUE ABOUT THE ELEVATION AXIS. TO CALCULATE TORQUE, TAKE THE DISTANCE FROM THE PAYLOAD CENTER OF GRAVITY TO DATUM -H- IN FEET AND MULTIPLY BY THE PAYLOAD WEIGHT. MAXIMUM OPERATING TORQUE MAY BE REDUCED AT TEMPERATURES BELOW 9°F (-13°C) AND/OR WITH USE OF PEREPHERAL DEVICES
- 14 ANTENNA BRACKET OPTIONS AVAILABLE UPON REQUEST THAT INTERFACE DIRECTLY WITH FEATURES SHOWN
- 15 RADIO OR AUXILIARY EQUIPMENT MOUNTING FEATURES. 10 LBS MAX
- 16 CENTER OF GRAVITY 0.1" (0.3 cm) IN THE X-DIRECTION, 6.2" (15.7 cm) IN THE Y-DIRECTION AND 1.6" (4.1 cm) IN THE Z-DIRECTION. X & Z MEASURED FROM THE CENTER OF THE 2.00" DIAMETER MOUNTING POLE
- 17 FOR PERMANENT INSTALLATIONS, IT IS RECOMMENDED THAT THE (2) INDICATED 5/16-18 THREADED KNOBS BE REPLACED WITH (2) 5/16-18 X 1.000" LONG STAINLESS STEEL HEX HEAD FASTENERS (NOT INCLUDED). RECOMMENDED TORQUE, 132 IN-LBS
- 18 POSITIONER CLAMPS TO STANDARD 2" OUTSIDE DIAMETER MAST (NOT INCLUDED)
- 19 5/16" QUICK RELEASE PIN TO SECURE POSITIONER TO MAST AND PREVENT ROTATION
- 20 MOUNTING HOLES FOR OPTIONAL COUNTER WEIGHT KIT, P/N - ACC-N900281-1

REV	DESCRIPTION	DATE	APPROVED
N	CN600921	2022-03-14	CLC

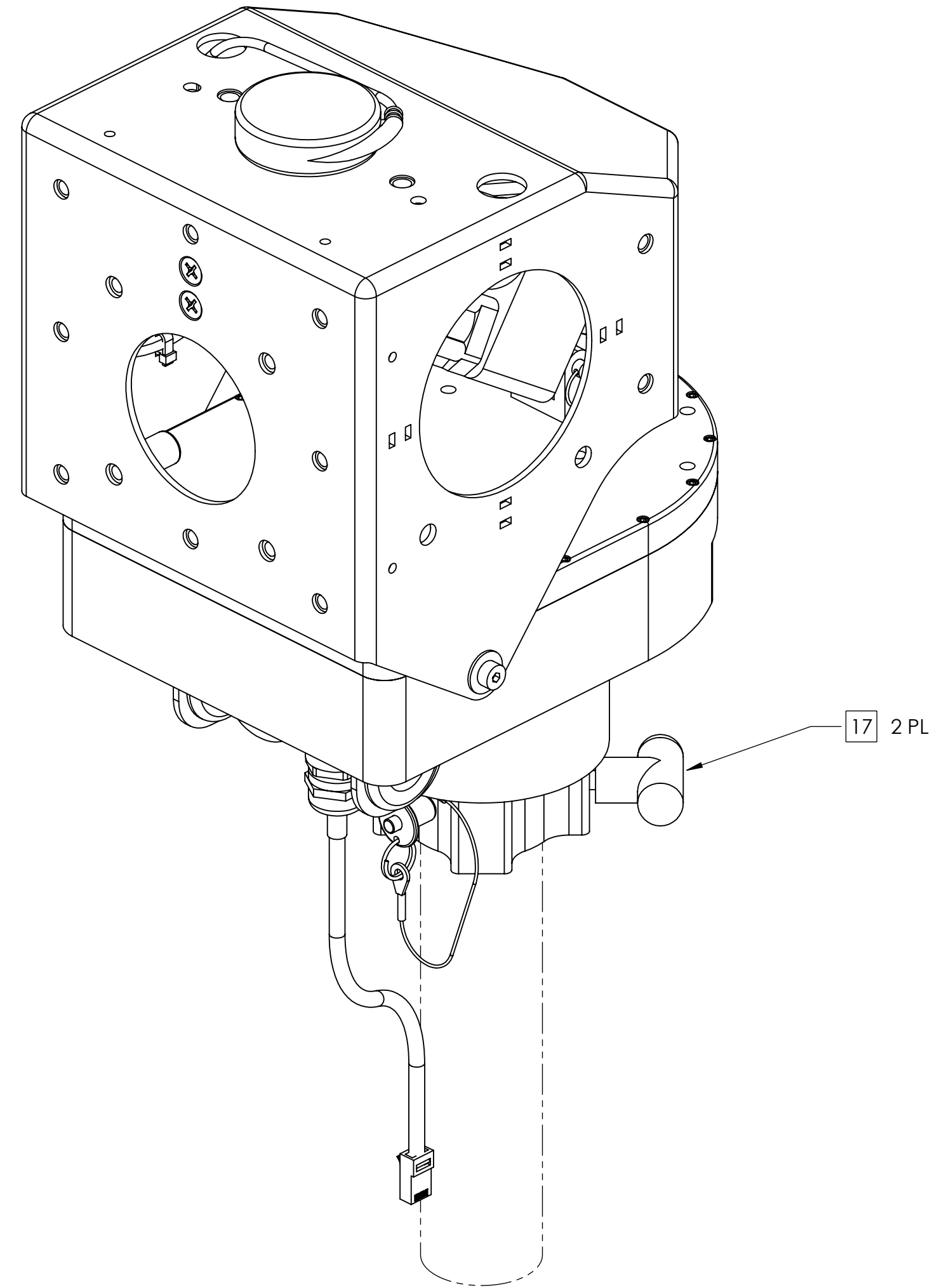
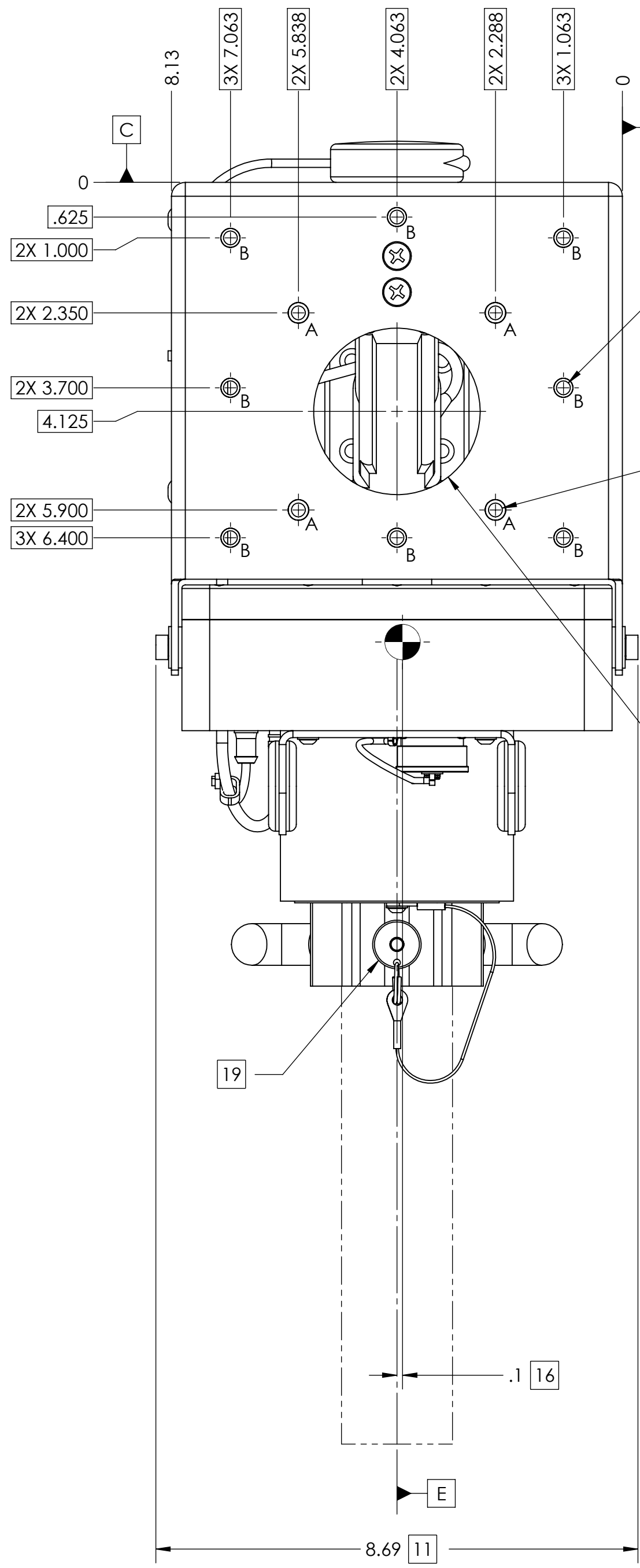


TABLE I	
BUILDING A PART NUMBER	STANDARD OPTIONS
LA-360RPT - 10 - 100	<<EXAMPLE
	<b>SHIELDED ETHERNET CABLE STANDARD LENGTHS</b>
	050 = 50 ft
	100 = 100 ft
	150 = 150 ft
	200 = 200 ft
	250 = 250 ft
	300 = 300 ft
	XXX = Custom length in feet
	XXXC = Add "C" to end of cable length for unterminated mating connector
	<b>CUSTOM CONFIGURATION</b>
	= Standard options - leave blank
	<b>MOTOR DRIVES AND PAYLOAD</b>
	10 = Az Travel @ 4.5°/s, El Travel @ 2°/s, El Torque 20 ft-lbs, 45 lb payload. Typically paired with 1-2 ft antenna
	<b>MODEL</b>
	LA-360RPT = LinkAlign-360RPT (+/-200° azimuth, +/-10° elevation)

TABLE II (RPT-F10 ACCESSORY OPTIONS)		
ACCESSORY DESCRIPTION	ACCESSORY PART NUMBER	ACCESSORY ICD
COUNTER WEIGHT KIT, LA-360RPT/EER, 3 LBS	ACC-N900281-1	ICDN900281
GPS HEADING UNIT	ACC-N900502-24	ICDN900502
LINKALIGN-360POL-10 POLARIZATION POSITIONER	LA-360POL-10	ICDN900387

<b>SYMBOL KEY</b> □ NOTE    ○ PL ITEMS  <b>PROPRIETARY AND CONFIDENTIAL</b> THE INFORMATION CONTAINED IN THIS DRAWING IS THE SOLE PROPERTY OF NEXTMOVE TECHNOLOGIES. ANY REPRODUCTION IN PART OR AS A WHOLE WITHOUT THE WRITTEN PERMISSION OF NEXTMOVE TECHNOLOGIES IS PROHIBITED.  NEXTMOVE TECHNOLOGIES, LLC HOLLIS, NH 03049 www.nextmove.tech.com	<b>UNLESS OTHERWISE SPECIFIED:</b> DIMENSIONS ARE IN INCHES TOLERANCES: ANGLE ± .5 DEGREES TWO PLACE DECIMAL ±.030 THREE PLACE DECIMAL ±.010  INTERPRET DIM AND TOL PER ASME Y14.5M - 1994  <b>THIRD ANGLE PROJECTION</b> DO NOT SCALE DRAWING	DRAWN S. CHEYNE 2011-10-13 CHECKED C. CHEYNE 2018-07-25 ME APPR. S. CHEYNE 2011-10-13 EE APPR.	<b>NEXTMOVE TECHNOLOGIES</b>  <b>TITLE:</b> LINKALIGN-360RPT-10 INTERFACE CONTROL DRAWING
		PART NO. <b>SEE TABLE I</b>	SIZE DWG. NO. REV <b>C</b> ICDN900147 <b>N</b>
		SCALE: 1:2	SHEET 1 OF 4



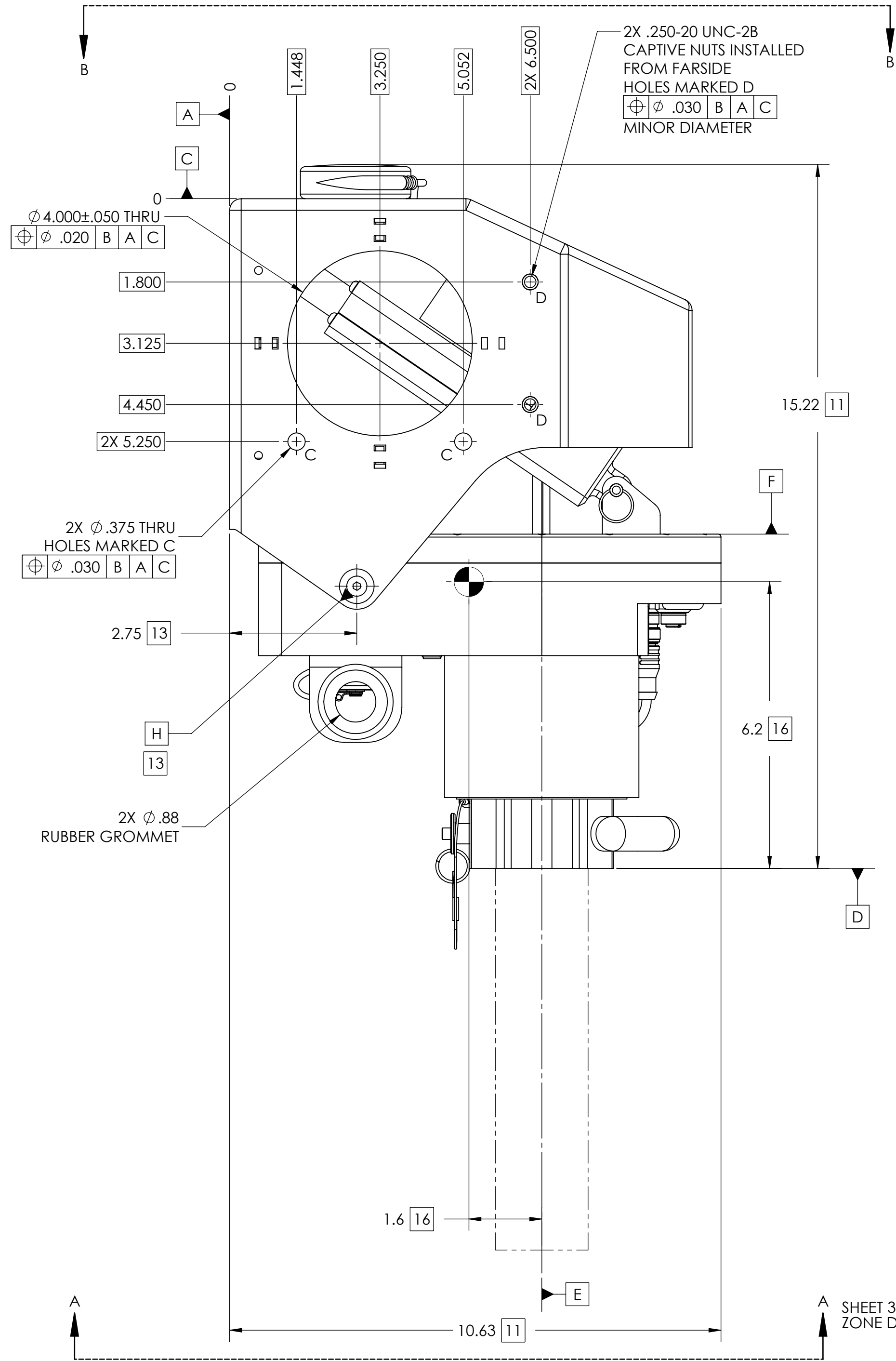
8X .250-20 UNC-2B  
CAPTIVE NUTS INSTALLED  
FROM FAR SIDE  
HOLES MARKED B  
⊕  $\phi$  .030 A B C  
MINOR DIAMETER

4X .250-20 UNC-2B  
CAPTIVE THUMB NUTS  
▽ .500 - ▽ .750 THREAD DEPTH  
HOLES MARKED A  
⊕  $\phi$  .020 A B C  
MINOR DIAMETER

$\phi$  3.000±.050 THRU  
⊕  $\phi$  .020 A B C

ANTENNA MOUNTING FEATURES

14



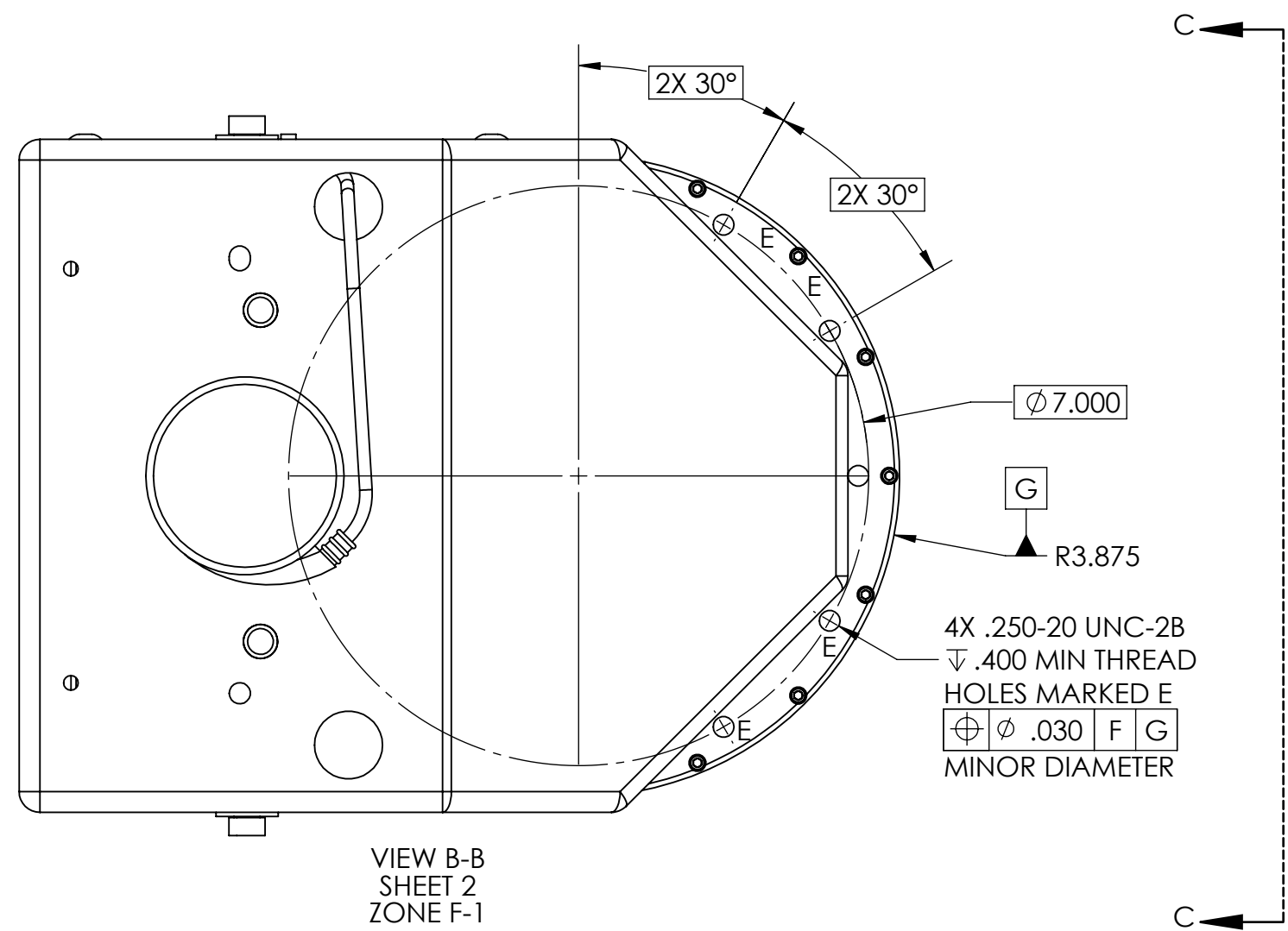
2X .250-20 UNC-2B  
CAPTIVE NUTS INSTALLED  
FROM FAR SIDE  
HOLES MARKED D  
⊕  $\phi$  .030 B A C  
MINOR DIAMETER

$\phi$  4.000±.050 THRU  
⊕  $\phi$  .020 B A C

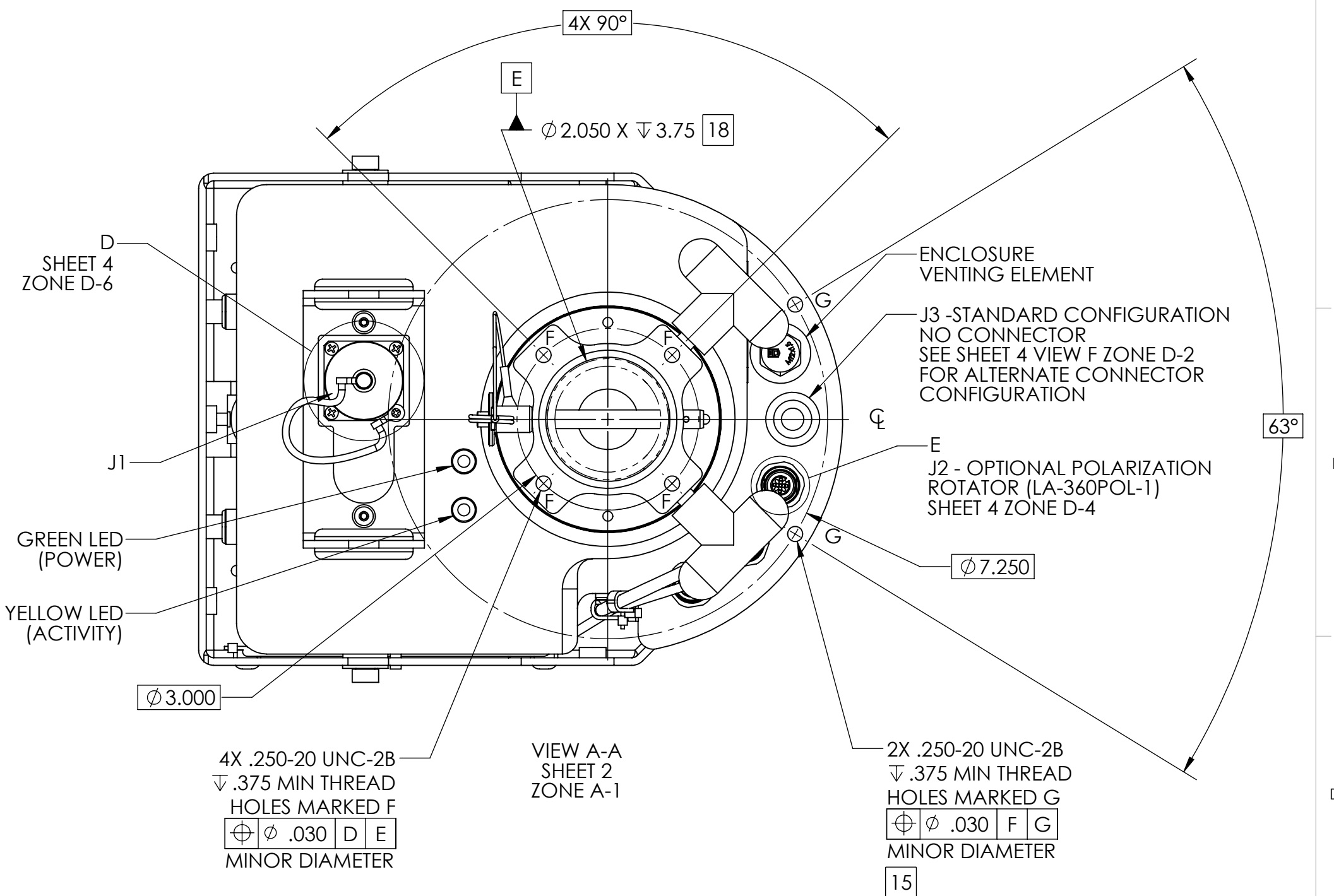
2X  $\phi$  .375 THRU  
HOLES MARKED C  
⊕  $\phi$  .030 B A C

RADIO OR AUXILIARY EQUIPMENT MOUNTING FEATURES  
FEATURES ON BOTH SIDES

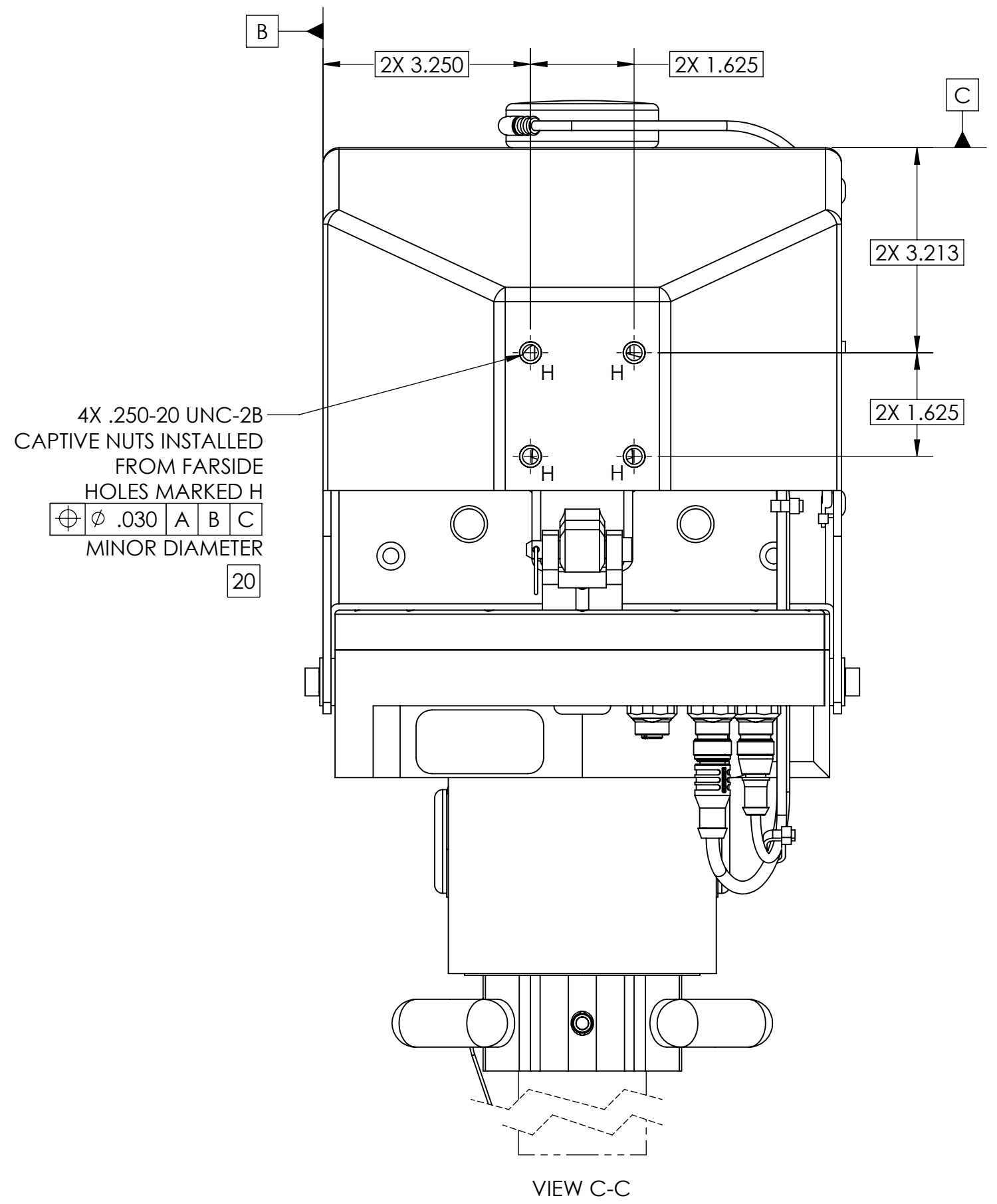
15



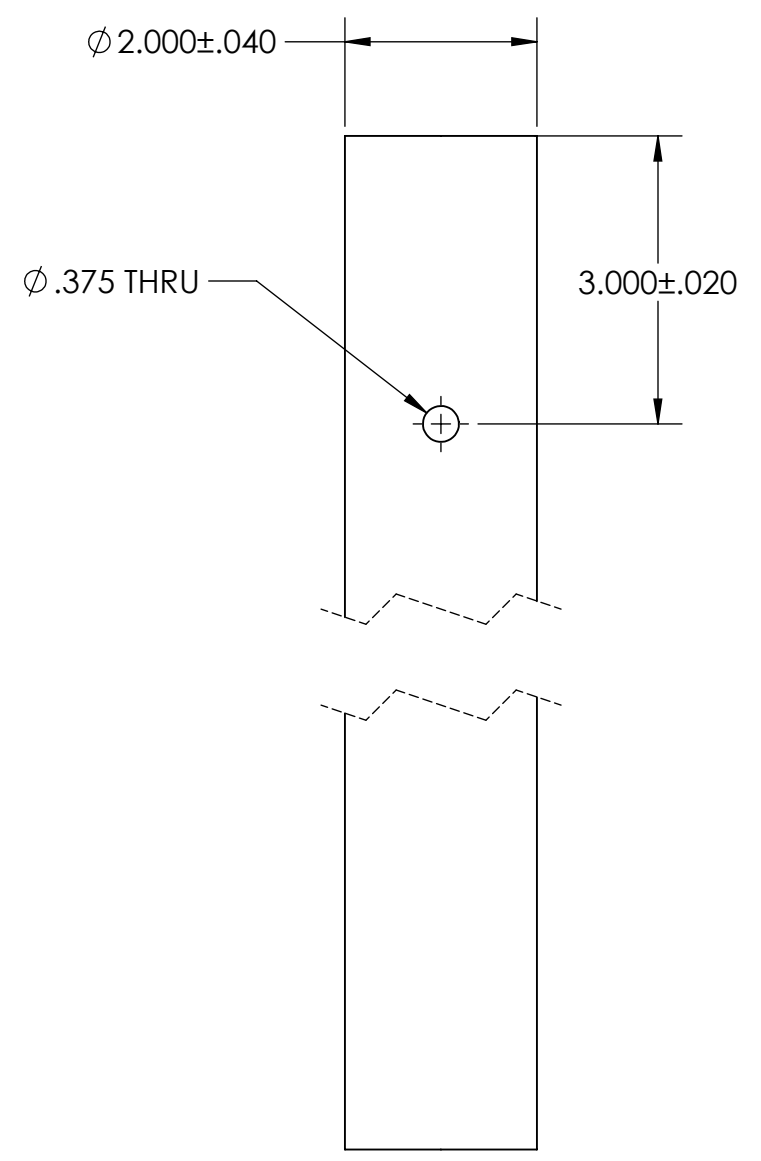
VIEW B-B  
SHEET 2  
ZONE F-1  
15



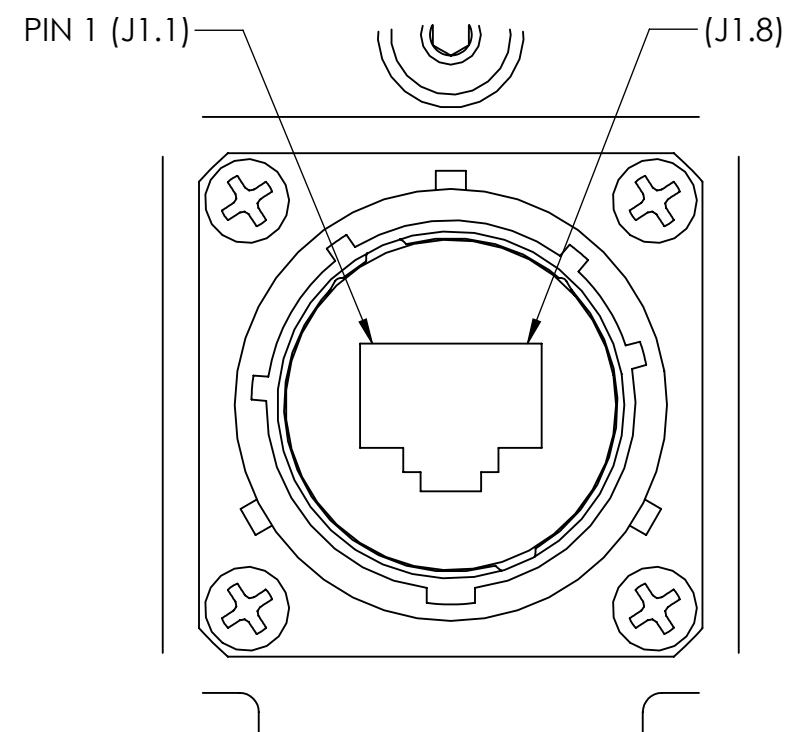
VIEW A-A  
SHEET 2  
ZONE A-1  
15



VIEW C-C  
20



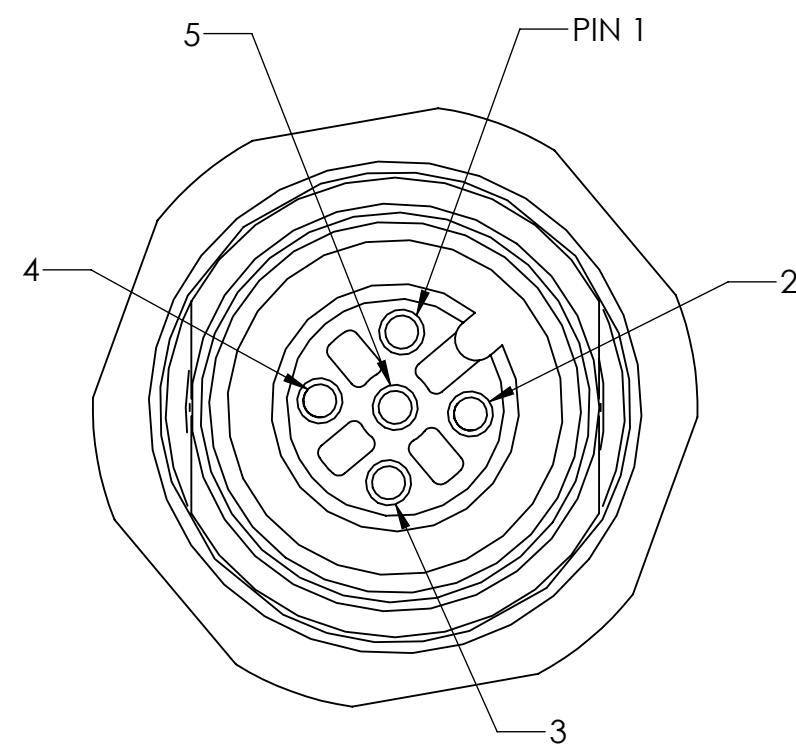
SUGGESTED POSITIONER  
MAST DIMENSIONS  
18



J1 CONNECTOR SHOWN FROM MATING SIDE  
MATES WITH AMPHENOL P/N - RJF6B

DETAIL D  
SCALE 2 : 1  
SHEET 3  
ZONE F-4

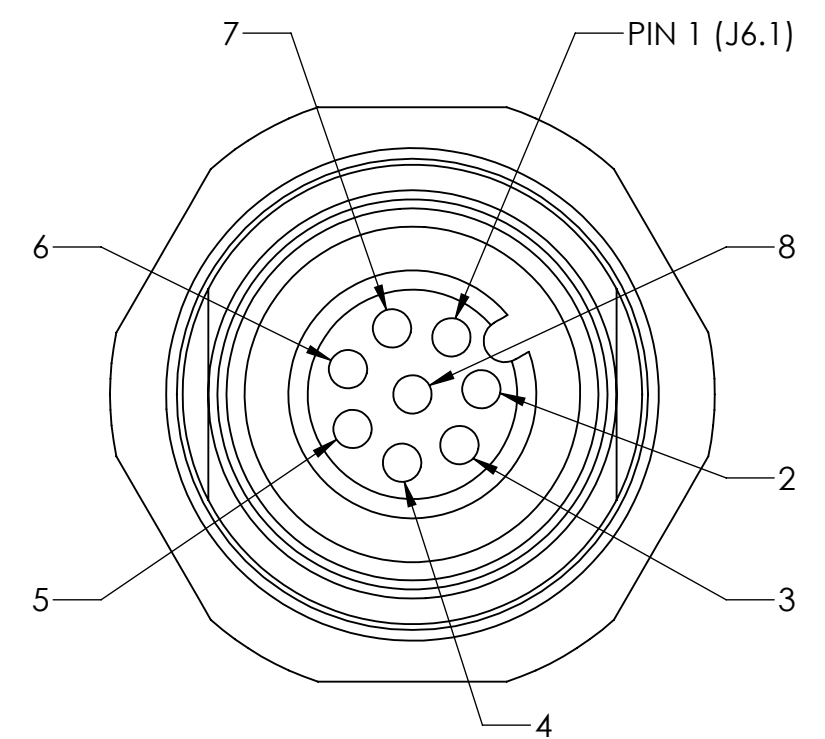
SHOWN WITHOUT PROTECTIVE CAP  
SEE TABLE III FOR PoE PINOUT DETAILS



J2 CONNECTOR SHOWN FROM MATING SIDE  
MATES WITH TURCK P/N - RS4.5-T-\* (\*LENGTH IN METERS)

DETAIL E  
SCALE 4 : 1  
SHEET 3  
ZONE E-2

SHOWN WITHOUT PROTECTIVE CAP  
SEE TABLE IV FOR AUX/POLARIZATION PINOUT DETAILS



J3 ALTERNATE CONNECTOR CONFIGURATION  
SHOWN FROM MATING SIDE  
MATES WITH TURCK P/N RS 8-T-\* (\*LENGTH IN METERS)

DETAIL F  
SCALE 3 : 1  
SHEET 3  
ZONE E-2

SHOWN WITHOUT PROTECTIVE CAP  
SEE TABLE VI FOR OPTIONAL SERIAL PINOUT DETAILS

**TABLE III (PoE CONNECTOR)**

CONNECTOR DESIGNATION	FUNCTION
J1.1	DATA PAIR 1
J1.2	DATA PAIR 1
J1.3	DATA PAIR 2
J1.4	+50-57VDC PoE POWER INPUT
J1.5	+50-57VDC PoE POWER INPUT
J1.6	DATA PAIR 2
J1.7	DC RETURN FOR PoE INPUT
J1.8	DC RETURN FOR PoE INPUT

**TABLE IV  
(AUX/POLARIZATION CONNECTOR)**

CONNECTOR DESIGNATION	FUNCTION
J2.1	GND
J2.2	+/- 12 VDC MOTOR
J2.3	+/- 12 VDC MOTOR
J2.4	POT WIPER
J2.5	+3.3 V

**TABLE V  
(OPTIONAL SERIAL CONNECTOR)**

CONNECTOR DESIGNATION	FUNCTION
J3.1	5V
J3.2	GND
J3.3	12V
J3.4	GND
J3.5	RS232, UART4 Tx
J3.6	RS232, UART4 Rx
J3.7	RS232, UART5 Tx
J3.8	RS232, UART5 Rx