

REV	DESCRIPTION	DATE	APPROVED
B	CN600884	2020-12-03	CLC

NOTES: UNLESS OTHERWISE SPECIFIED

1. GPS HEADING UNIT DESIGNED TO BE PAIRED WITH ALL LINKALIGN EBP, EER, FER AND RPT SERIES POSITIONERS. CABLES SHOWN NOT TO SCALE
2. USE INTERFACE CONTROL DRAWING IN CONJUNCTION WITH DATASHEET N500151
3. HARD COAT ANODIZE ALUMINUM CONSTRUCTION
- 4 ENVELOPE DIMENSIONS WHEN MOUNTED TO A LINKALIGN EER, FER AND RPT SERIES ARE 27.50" (69.9 cm) HIGH X 2.94" (7.5 CM) LONG X 3.50" (8.9 CM) WIDE
5. WEIGHT APPROXIMATELY 6.5 LBS (3.0 kg)
- 6 CAPTIVE FASTENERS MATE WITH LINKALIGN RPT AND EER ELEVATION HOOD. ADAPTER BRACKET REQUIRED TO MATE WITH LINKALIGN EBP AND FER SERIES, SEE TABLE I

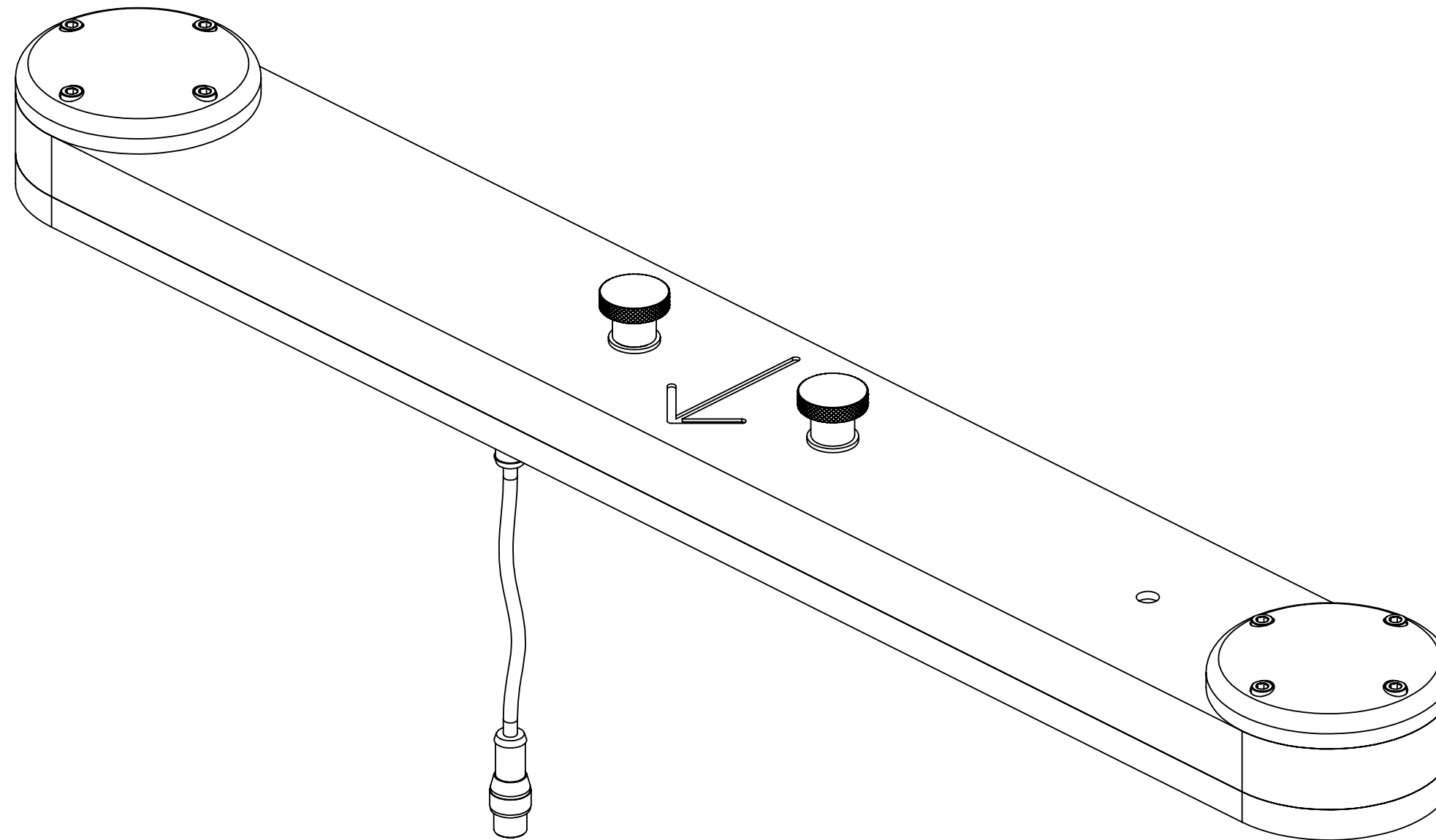
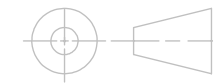


TABLE I	
ADAPTER BRACKET KIT DESCRIPTION	KIT PART NUMBER
ANTENNA BRACKET, GPS HEADING UNIT TO EBP SERIES	ANTB-N900832-1
ANTENNA BRACKET, GPS HEADING UNIT TO FER SERIES	ANTB-N900506-1

<b>SYMBOL KEY</b> <input type="checkbox"/> NOTE <input type="checkbox"/> PL ITEMS  <b>PROPRIETARY AND CONFIDENTIAL</b> THE INFORMATION CONTAINED IN THIS DRAWING IS THE SOLE PROPERTY OF NEXTMOVE TECHNOLOGIES. ANY REPRODUCTION IN PART OR AS A WHOLE WITHOUT THE WRITTEN PERMISSION OF NEXTMOVE TECHNOLOGIES IS PROHIBITED.  NEXTMOVE TECHNOLOGIES, LLC MILFORD, NH 03055 www.nextmove.tech.com	<b>UNLESS OTHERWISE SPECIFIED:</b> DIMENSIONS ARE IN INCHES TOLERANCES: ANGLE ± 5 DEGREES TWO PLACE DECIMAL ±.030 THREE PLACE DECIMAL ±.010  INTERPRET DIM AND TOL PER ASME Y14.5M - 1994  <b>THIRD ANGLE PROJECTION</b>  DO NOT SCALE DRAWING	DRAWN C. CHEYNE 2018-08-09 CHECKED C. CHEYNE 2018-08-09 ME APPR. S. CHEYNE 2018-08-09 EE APPR.	<b>NEXTMOVE TECHNOLOGIES</b>  <b>TITLE:</b> GPS HEADING UNIT, INTERFACE CONTROL DRAWING	
		PART NO. <b>N900502-24</b>	SIZE DWG. NO. <b>C ICDN900502</b>	REV <b>B</b>
		SCALE: 1:2		SHEET 1 OF 2

