

REV	DESCRIPTION	DATE	APPROVED
A	IR800693	2021-03-08	CLC

NOTES: UNLESS OTHERWISE SPECIFIED

1. LINKALIGN-360RPT-F10 CONFIGURABLE OPTIONS PER TABLE I. POSITIONER SHOWN AT AZIMUTH 0°, ELEVATION 0° THROUGHOUT THE DRAWING. PoE CABLE SHOWN IS NOT TO SCALE
2. USE INTERFACE CONTROL DRAWING IN CONJUNCTION WITH DATASHEET N500194
3. SEE TABLE II FOR AVAILABLE LINKALIGN-360RPT-F10 ACCESSORY OPTIONS
4. POSITIONER POWERED BY POWER OVER ETHERNET 50-57 VDC, 4 PAIR, PASSIVE (INDOOR RATED 50 VDC POWER SUPPLY INCLUDED WITH POSITIONER. NOT SHOWN IN DRAWING). STANDBY POWER DRAWS LESS THAN 10 W. MAXIMUM POWER DRAW, 60 W
5. EXTERNAL CONSTRUCTION COMPRISED OF HARD COAT ANODIZED ALUMINUM CONSTRUCTION WITH STAINLESS STEEL HARDWARE
6. 400° (+/-200°) AZIMUTH TRAVEL WITH 4.5°/SEC DRIVE RATE (MAX LOAD)
7. 20° (+/-10°) ELEVATION TRAVEL WITH 2°/SEC DRIVE RATE (MAX LOAD)
8. 3° TO 140°F (-16° TO 60°C) OPERATIONAL TEMPERATURE RANGE. -40 TO 158°F (-40 TO 70°C) NON-OPERATIONAL TEMPERATURE RANGE. MINIMUM TEMPERATURE SPECIFIED AT NO LOAD
9. 0.1° FEEDBACK RESOLUTION IN ALL AXES
10. AZIMUTH BACKLASH LESS THAN 0.25°. ELEVATION BACKLASH LESS THAN 1°
- 11 15.22" (38.7 cm) HIGH X 9.20" (23.4 cm) WIDE X 10.63" (27.0 cm) DEEP. DIMENSIONS APPLY WHEN POSITIONER IS AT 0° AZIMUTH AND 0° ELEVATION
12. WEIGHT APPROXIMATELY 17 LBS (7.7 kg) NOT INCLUDING PoE CABLE
- 13 PAYLOAD SHALL NOT EXCEED 45 LBS OR 40 FT-LBS OF TORQUE ABOUT THE ELEVATION AXIS. TO CALCULATE TORQUE, TAKE THE DISTANCE FROM THE PAYLOAD CENTER OF GRAVITY TO DATUM -H- IN FEET AND MULTIPLY BY THE PAYLOAD WEIGHT. MAXIMUM OPERATING TORQUE MAY BE REDUCED AT TEMPERATURES BELOW 9°F (-13°C) AND/OR WITH USE OF PEREPHERAL DEVICES
- 14 ANTENNA BRACKET OPTIONS AVAILABLE UPON REQUEST THAT INTERFACE DIRECTLY WITH FEATURES SHOWN
- 15 RADIO OR AUXILIARY EQUIPMENT MOUNTING FEATURES. 10 LBS MAX
- 16 CENTER OF GRAVITY 0.1" (0.3 cm) IN THE X-DIRECTION, 6.9" (17.5 cm) IN THE Y-DIRECTION AND 1.7" (4.3 cm) IN THE Z-DIRECTION. X & Z MEASURED FROM THE CENTER OF THE 2.00" DIAMETER MOUNTING POLE
- 17 FOR PERMANENT INSTALLATIONS, IT IS RECOMMENDED THAT THE (2) INDICATED 5/16-18 THREADED KNOBS BE REPLACED WITH (2) 5/16-18 X 1.000" LONG STAINLESS STEEL HEX HEAD FASTENERS (NOT INCLUDED). RECOMMENDED TORQUE, 132 IN-LBS
- 18 POSITIONER CLAMPS TO STANDARD 2" OUTSIDE DIAMETER MAST (NOT INCLUDED)
- 19 5/16" QUICK RELEASE PIN TO SECURE POSITIONER TO MAST TO PREVENT ROTATION
- 20 MOUNTING HOLES FOR OPTIONAL COUNTER WEIGHT KIT, P/N - ACC-N900281-1

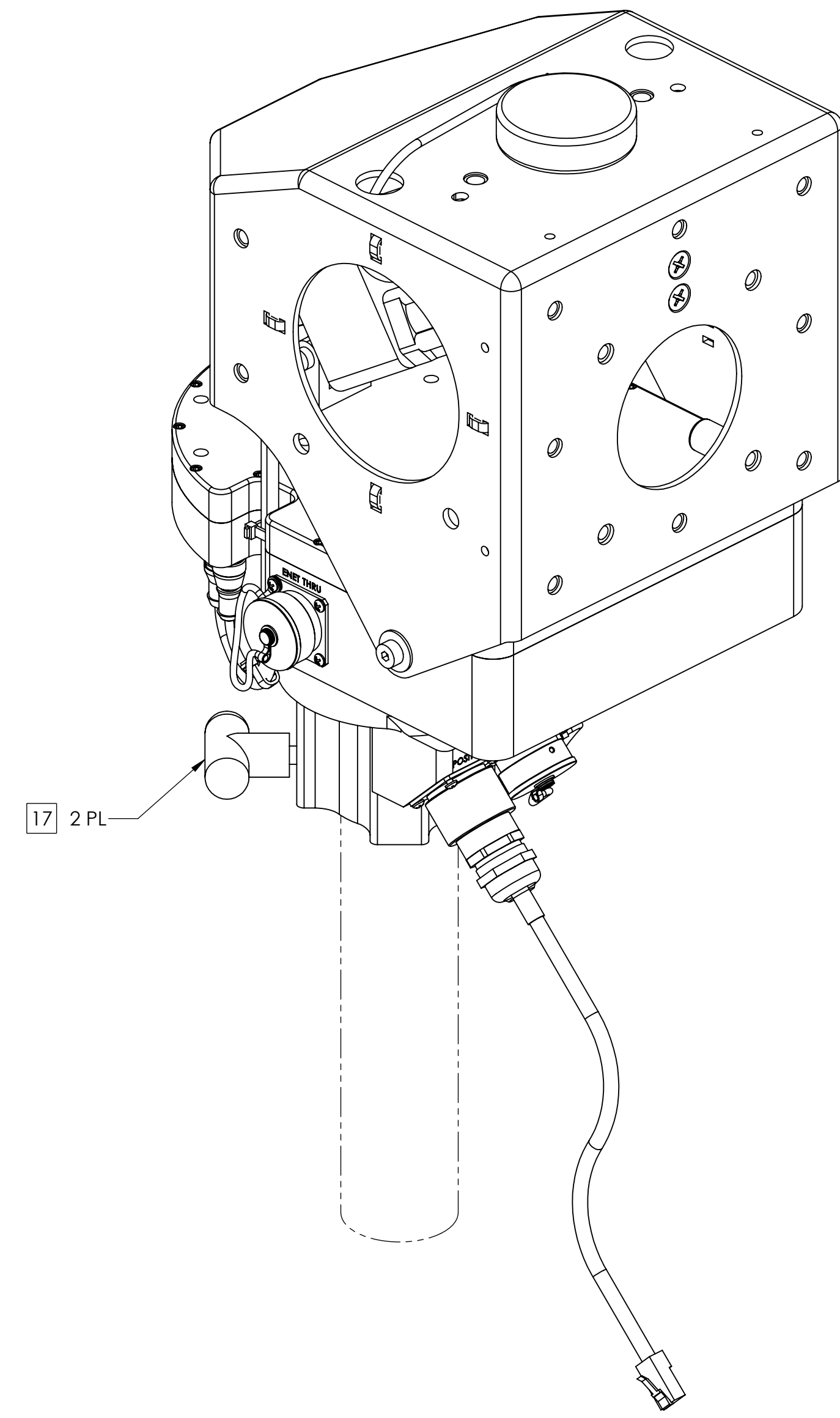
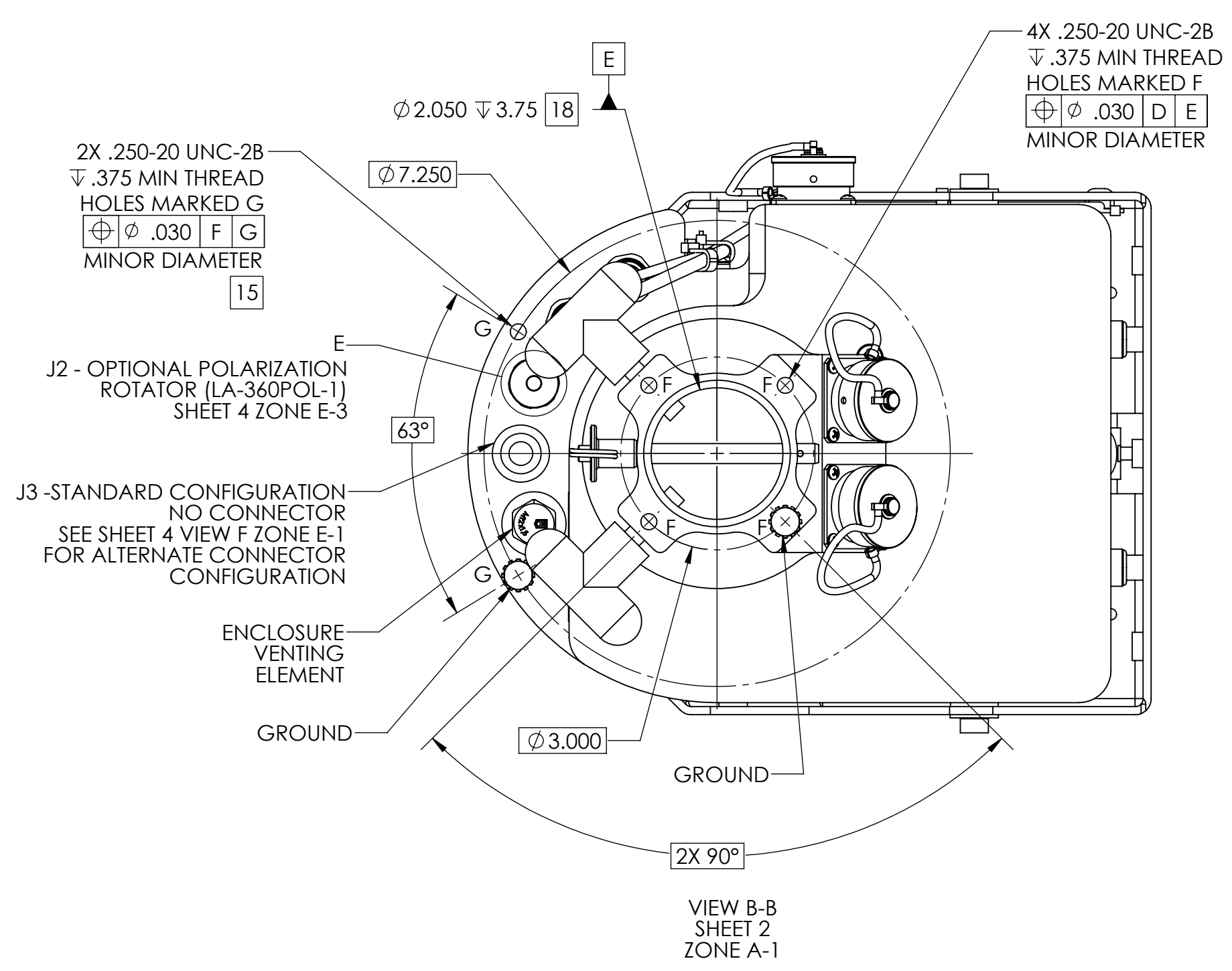
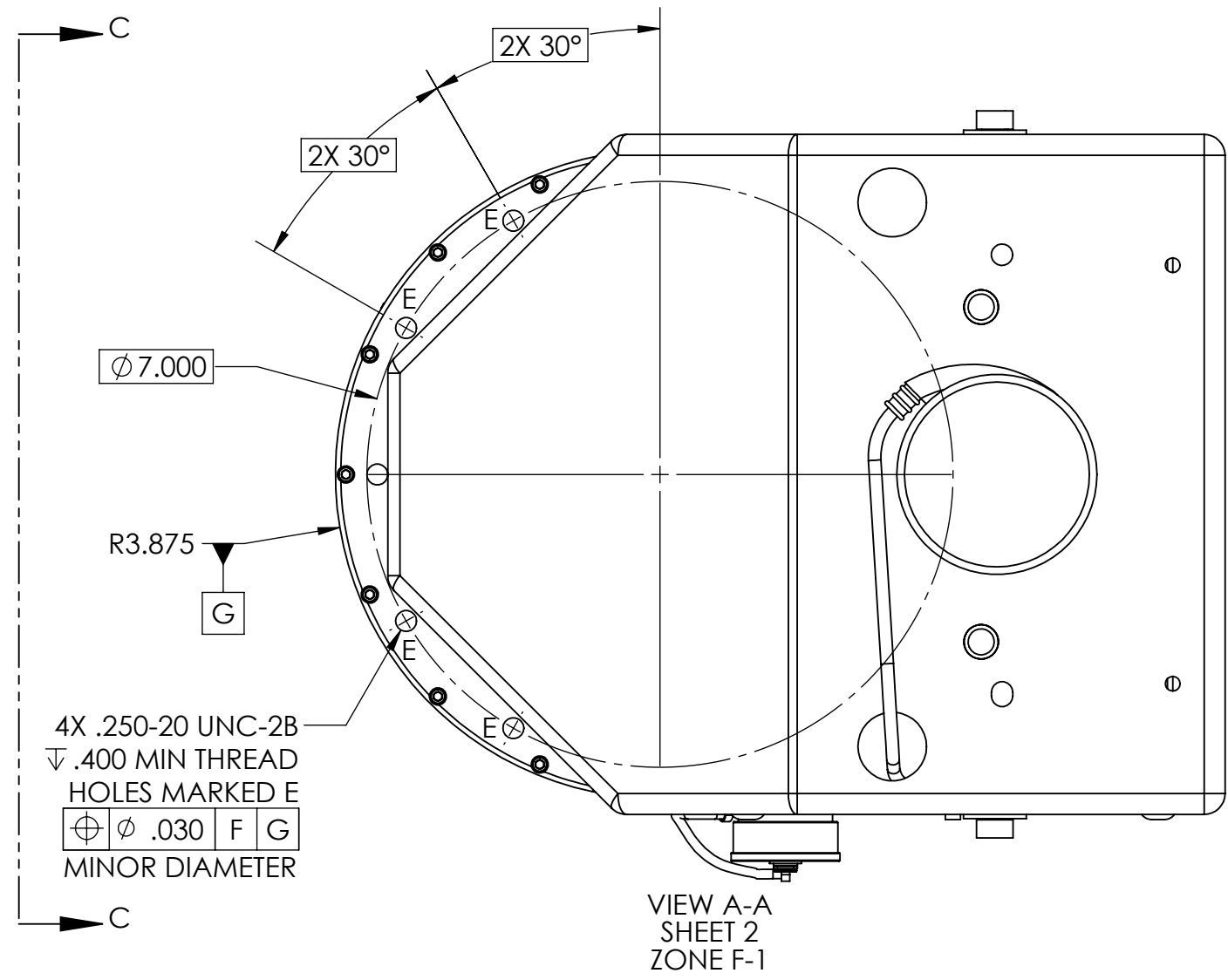


TABLE I	
BUILDING A PART NUMBER	STANDARD OPTIONS
LA-360RPT - F10 - 100	<<EXAMPLE
	SHIELDED ETHERNET CABLE STANDARD LENGTHS
	050 = 50 ft
	100 = 100 ft
	150 = 150 ft
	200 = 200 ft
	250 = 250 ft
	300 = 300 ft
	XXX = Custom length in feet
	XXXC = Add "C" to end of cable length for unterminated mating connector
	CUSTOM CONFIGURATION
	= Standard options - leave blank
	MOTOR DRIVES AND PAYLOAD
	F10 = Az Travel @ 4.5°/s , El Travel @ 2°/s, El Torque 20 ft-lbs, 45 lb payload. Typically paired with 1-2 ft antenna
	MODEL
	LA-360RPT = LinkAlign-360RPT (+/-200° azimuth, +/-10° elevation)

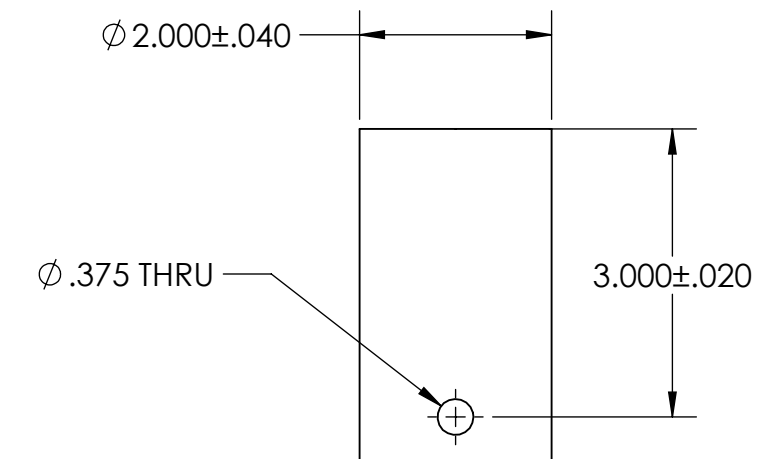
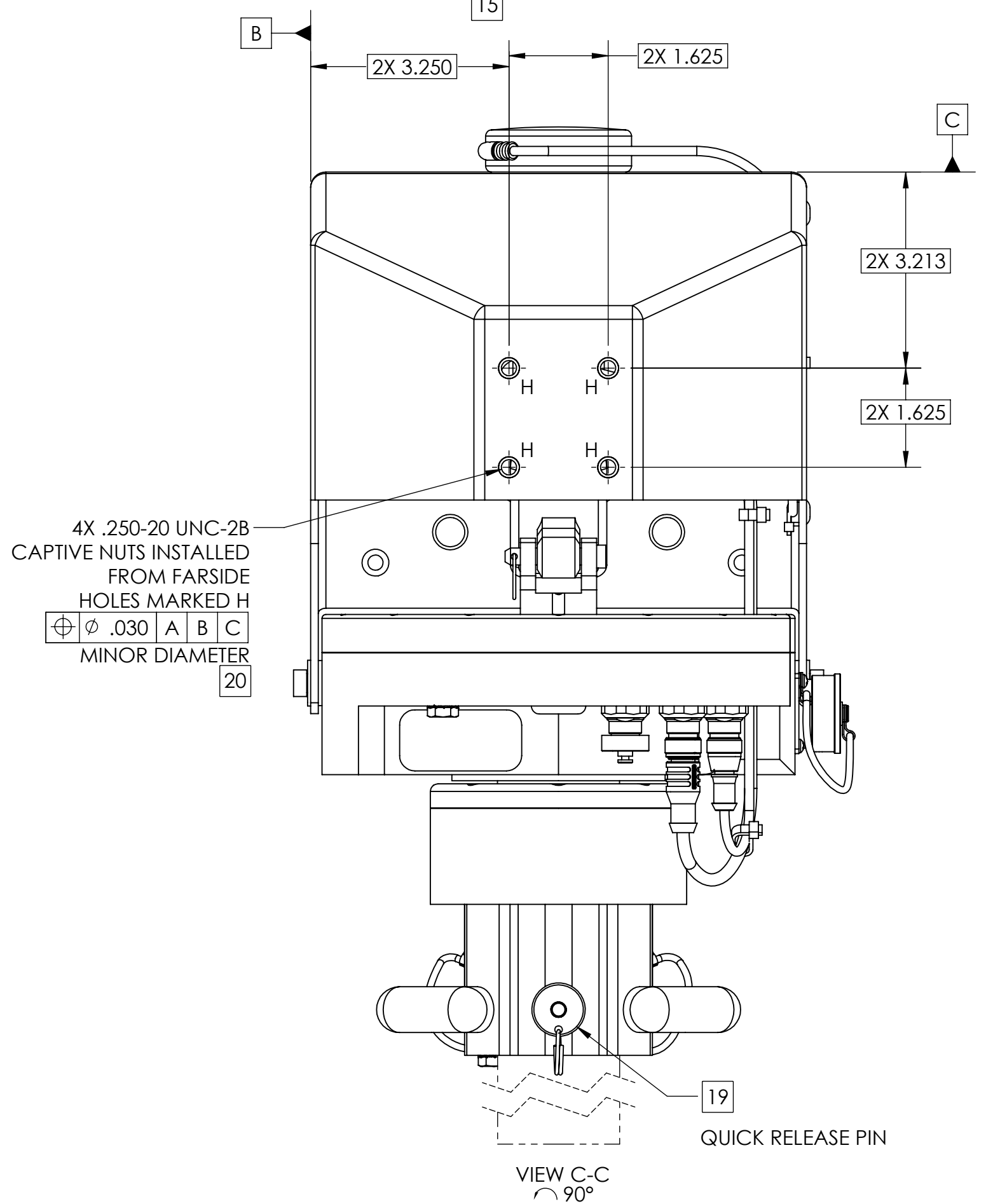
TABLE II (RPT-F10 ACCESSORY OPTIONS)		
ACCESSORY DESCRIPTION	ACCESSORY PART NUMBER	ACCESSORY ICD
COUNTER WEIGHT KIT, LA-360RPT/EER, 3 LBS	ACC-N900281-1	ICDN900281
GPS HEADING UNIT	ACC-N900502-24	ICDN900502
LINKALIGN-360POL-10 POLARIZATION POSITIONER	LA-360POL-10	ICDN900387

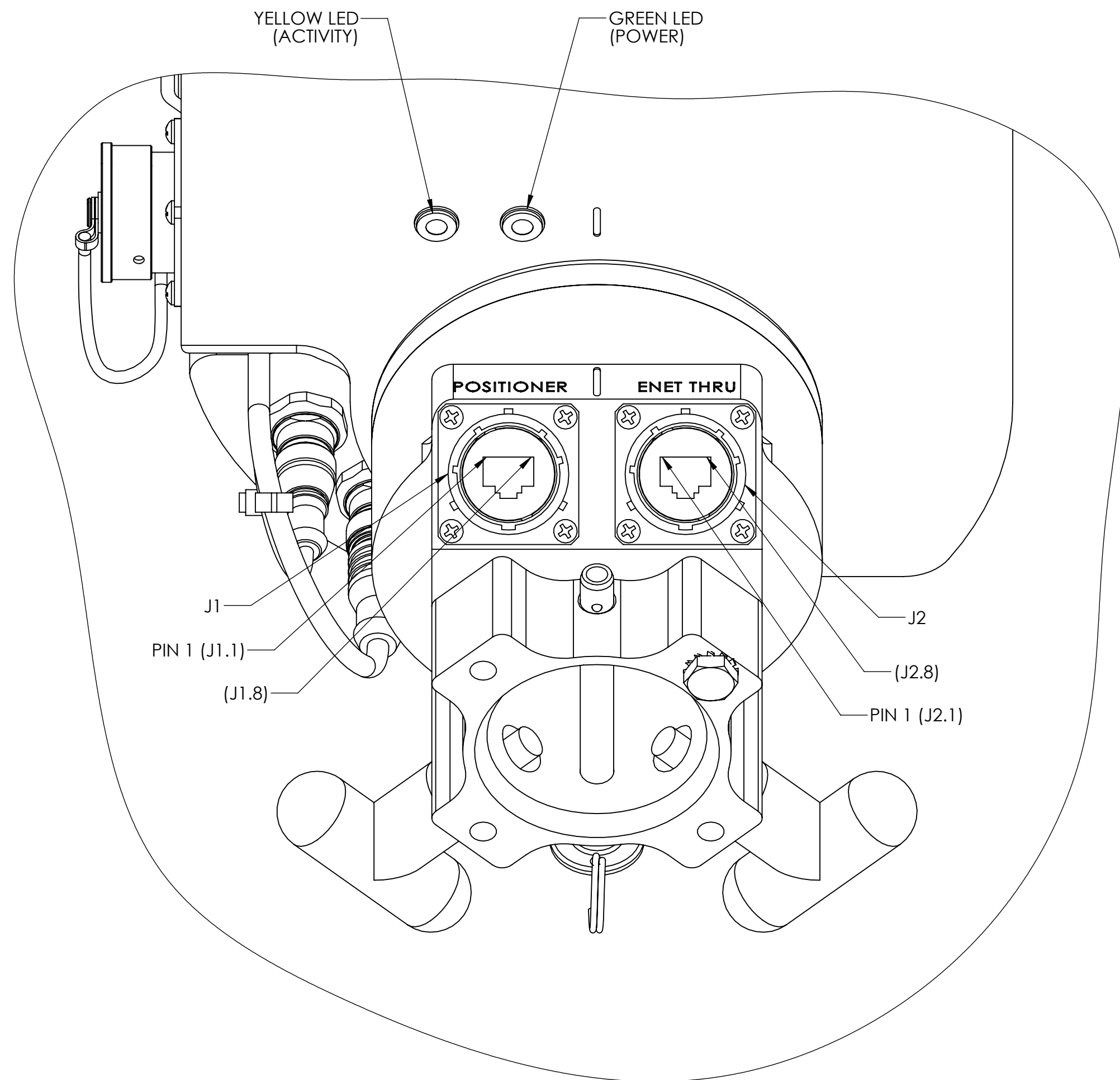
SYMBOL KEY <input type="checkbox"/> NOTE <input type="checkbox"/> PL ITEMS PROPRIETARY AND CONFIDENTIAL THE INFORMATION CONTAINED IN THIS DRAWING IS THE SOLE PROPERTY OF NEXTMOVE TECHNOLOGIES. ANY REPRODUCTION IN PART OR AS A WHOLE WITHOUT THE WRITTEN PERMISSION OF NEXTMOVE TECHNOLOGIES IS PROHIBITED. NEXTMOVE TECHNOLOGIES, LLC HOLLIS, NH 03049 www.nextmove.tech.com	UNLESS OTHERWISE SPECIFIED: DIMENSIONS ARE IN INCHES TOLERANCES: ANGLE ± 5 DEGREES TWO PLACE DECIMAL ±.030 THREE PLACE DECIMAL ±.010 INTERPRET DIM AND TOL PER ASME Y14.5M - 1994 THIRD ANGLE PROJECTION DO NOT SCALE DRAWING	DRAWN C. CHEYNE 2021-03-08 CHECKED S. CHEYNE 2021-03-08 ME APPR. C. CHEYNE 2021-03-08 EE APPR.	NEXTMOVE TECHNOLOGIES TITLE: LINKALIGN-360RPT-F10 INTERFACE CONTROL DRAWING	
		PART NO. SEE TABLE I	SIZE DWG. NO. C ICDN900855	REV A
		SCALE: 1:2		SHEET 1 OF 4



J2 - OPTIONAL POLARIZATION ROTATOR (LA-360POL-1) SHEET 4 ZONE E-3

J3 - STANDARD CONFIGURATION NO CONNECTOR SEE SHEET 4 VIEW F ZONE E-1 FOR ALTERNATE CONNECTOR CONFIGURATION

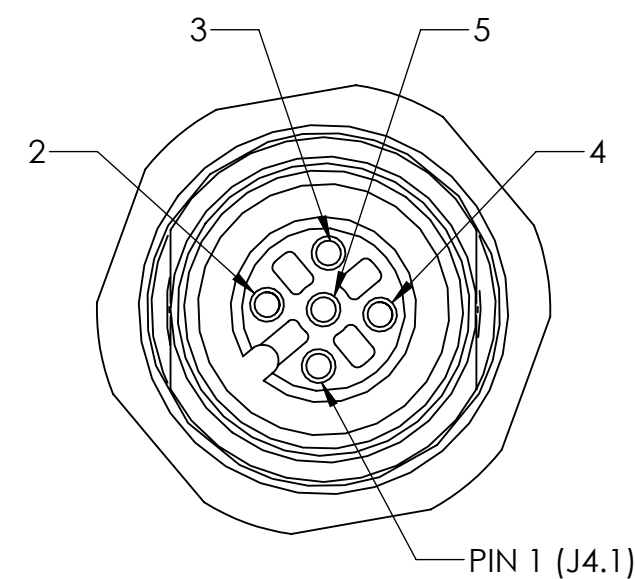




J1 & J2 CONNECTOR SHOWN FROM MATING SIDE
MATES WITH AMPHENOL P/N - RJF6B

VIEW D-D
45°
SHEET 2
ZONE C-2
SCALE 1 : 1

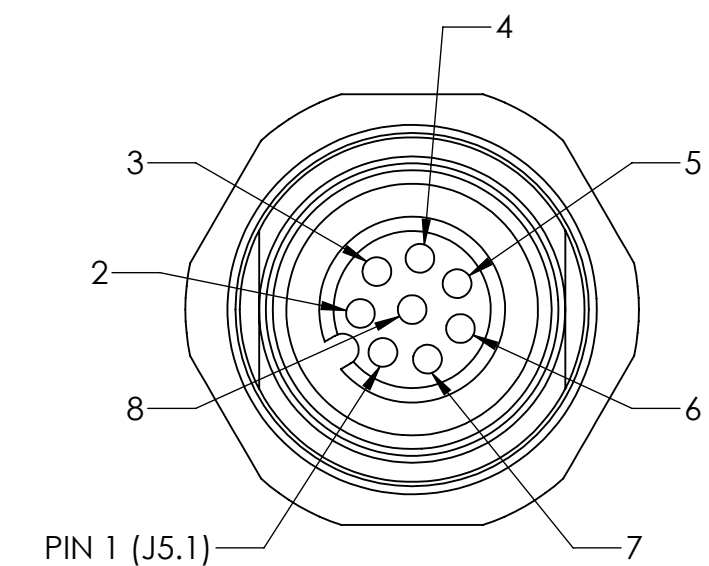
SHOWN WITHOUT PROTECTIVE CAPS
SEE TABLE III FOR J1 PoE PINOUT DETAILS
SEE TABLE IV FOR J2 PASS THRU PINOUT DETAILS



J4 CONNECTOR SHOWN FROM MATING SIDE
MATES WITH TURCK P/N RS 4.5-T-* (*LENGTH IN METERS)

DETAIL E
SCALE 3 : 1
SHEET 3
ZONE E-4

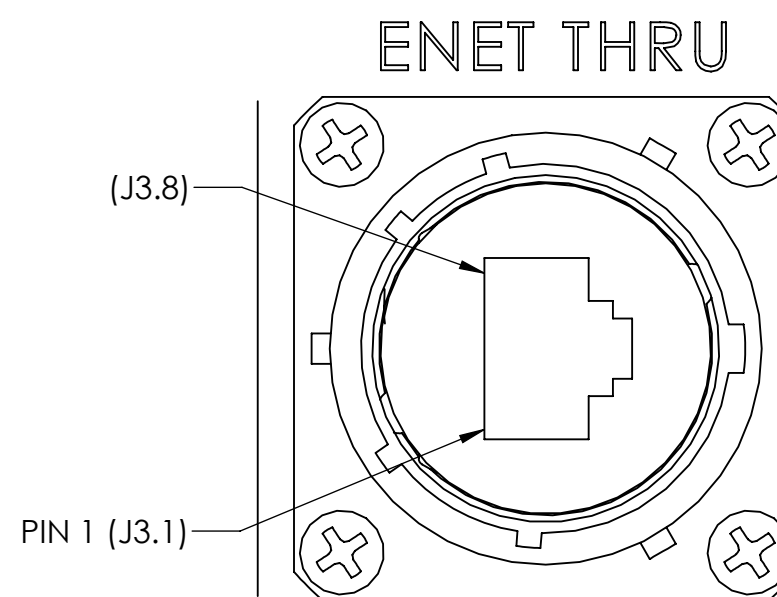
SHOWN WITHOUT PROTECTIVE COVER
SEE TABLE V FOR AUX/POLARIZATION PINOUT DETAILS



J5 ALTERNATE CONNECTOR CONFIGURATION
SHOWN FROM MATING SIDE
MATES WITH TURCK P/N RS 8-T-* (*LENGTH IN METERS)

DETAIL F
SCALE 3 : 1
SHEET 3
ZONE E-4

SHOWN WITHOUT PROTECTIVE CAP
SEE TABLE VI FOR OPTIONAL SERIAL PINOUT DETAILS



J3 CONNECTOR SHOWN FROM MATING SIDE
MATES WITH AMPHENOL P/N - RJF6B

DETAIL F
SCALE 2 : 1
SHEET 2
ZONE E-4

SHOWN WITHOUT PROTECTIVE CAPS
SEE TABLE IV FOR PASS THRU PINOUT DETAILS

TABLE III (PoE CONNECTOR)

CONNECTOR DESIGNATION	FUNCTION
J1.1	DATA PAIR 1
J1.2	DATA PAIR 1
J1.3	DATA PAIR 2
J1.4	+48 VDC PoE POWER INPUT
J1.5	+48 VDC PoE POWER INPUT
J1.6	DATA PAIR 2
J1.7	DC RETURN FOR PoE INPUT
J1.8	DC RETURN FOR PoE INPUT

TABLE IV (PASS THRU CONNECTORS)

CONNECTOR DESIGNATION	FUNCTION
J2.1	J3.1
↓	↓
J2.8	J3.8

TABLE V (AUX/POLARIZATION CONNECTOR)

CONNECTOR DESIGNATION	FUNCTION
J4.1	GND
J4.2	+/- 12 VDC MOTOR
J4.3	+/- 12 VDC MOTOR
J4.4	POT WIPER
J4.5	+3.3 V

TABLE VI (OPTIONAL SERIAL CONNECTOR)

CONNECTOR DESIGNATION	FUNCTION
J5.1	5V
J5.2	GND
J5.3	12V
J5.4	GND
J5.5	RS232, UART4 Tx
J5.6	RS232, UART4 Rx
J5.7	RS232, UART5 Tx
J5.8	RS232, UART5 Rx