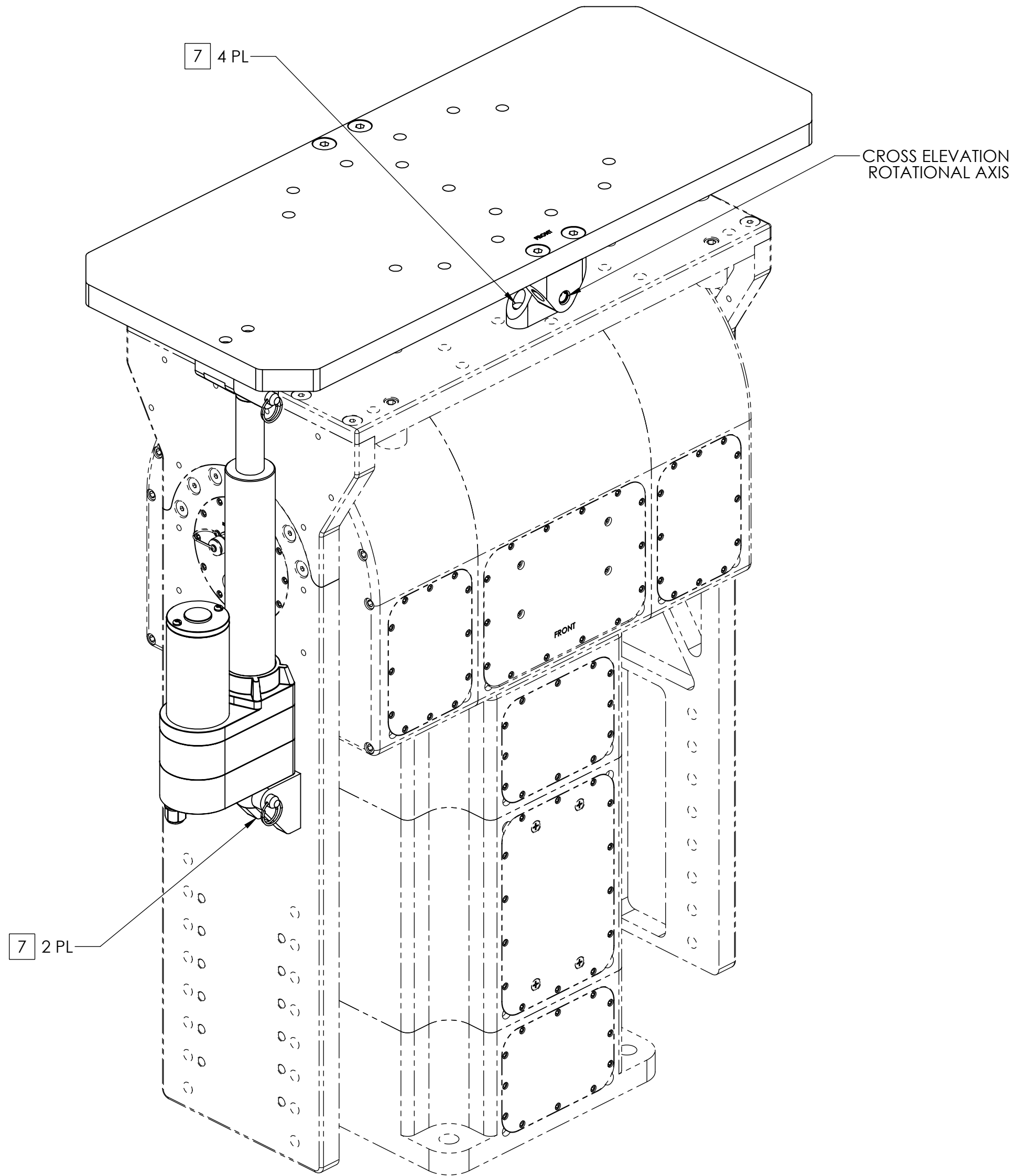
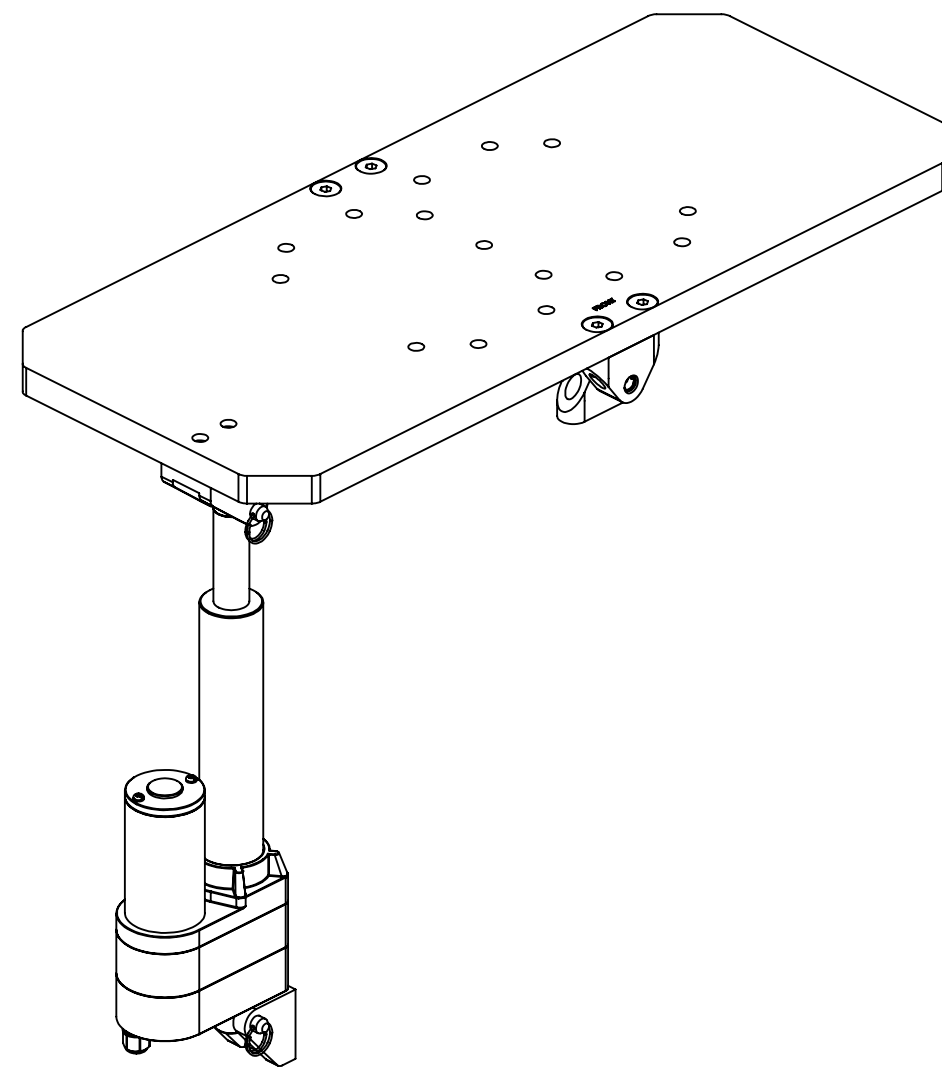


REV	DESCRIPTION	DATE	APPROVED
A	IR800800	2022-05-02	CLC

NOTES: UNLESS OTHERWISE SPECIFIED

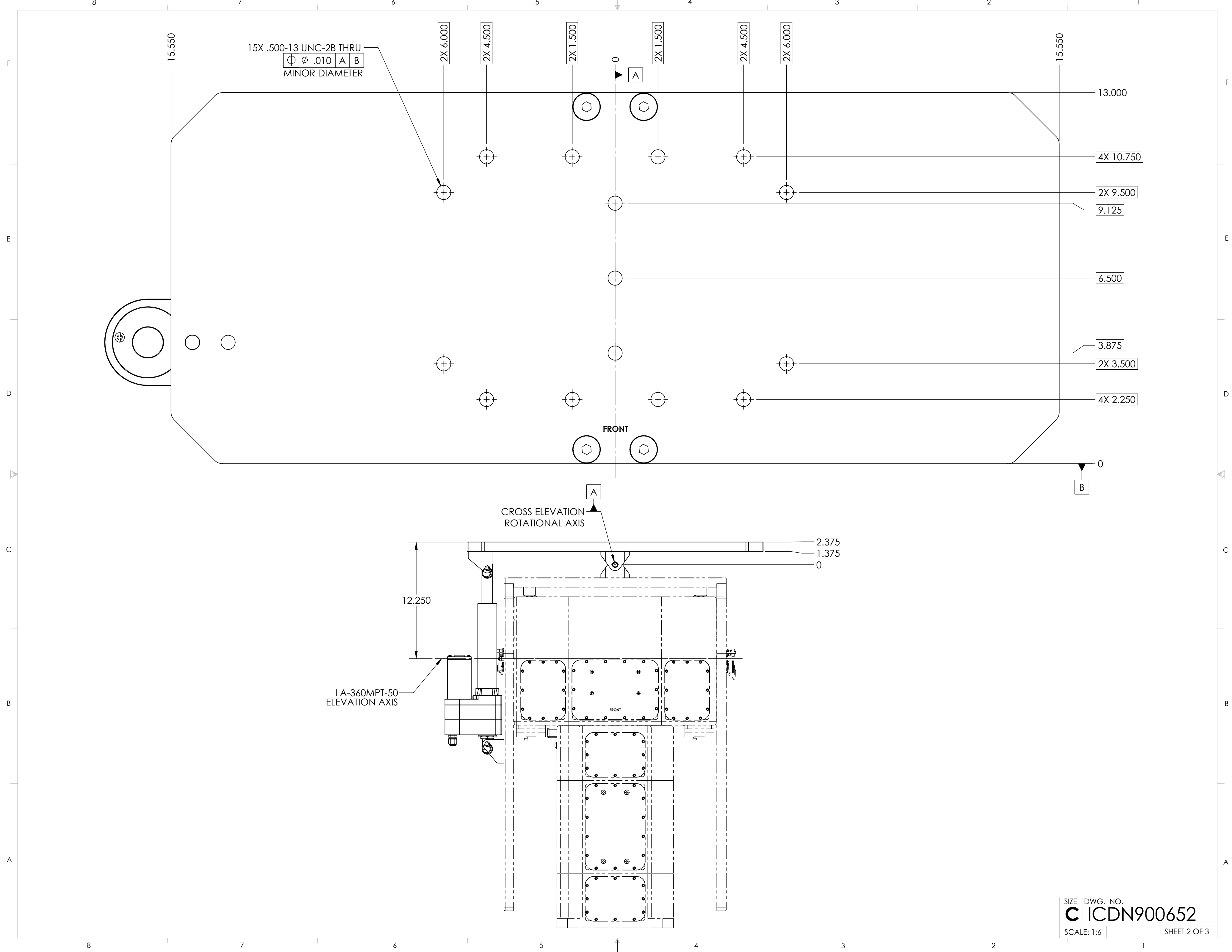
- CROSS ELEVATION DRIVE INTERFACES DIRECTLY WITH NEXTMOVE POSITIONER, LINKALIGN-360MPT-50 SERIES
- EXTERNAL CONSTRUCTION COMPRISED OF HARD COAT ANODIZED ALUMINUM WITH STAINLESS STEEL HARDWARE
- WEIGHT APPROXIMATELY 42 LBS (19 kg)
- 20° (+/-10°) CROSS ELEVATION TRAVEL WITH .3°/SEC DRIVE RATE (MAX LOAD)
- 40° TO 140°F (-30° TO 60°C) OPERATIONAL TEMPERATURE RANGE. -40 TO 158°F (-40 TO 70°C) NON-OPERATIONAL TEMPERATURE RANGE. MINIMUM TEMPERATURE SPECIFIED AT NO LOAD
- PAYLOAD SHALL NOT EXCEED LIMITATIONS SPECIFIED BY POSITIONER, LA-360MPT-50. SEE ICDN900697 FOR MORE DETAILS. MAX TORQUE SHALL NOT EXCEED 200 FT-LBS ABOUT THE CROSS ELEVATION AXIS

7 KIT INCLUDES THE FOLLOWING MOUNTING HARDWARE (4) 1/2-13 X 1.75 IN LONG AND (2) 1/2-13 X 1.25 IN LONG FLAT HEAD STAINLESS STEEL SCREWS. TORQUE TO 45 FT-LBS



SHOWN WITH LA-360MPT-50

SYMBOL KEY		UNLESS OTHERWISE SPECIFIED:		DRAWN	C. CHEYNE	2022-05-02	NEXTMOVE TECHNOLOGIES
□	NOTE	○	PL ITEMS	CHECKED	S. CHEYNE	2022-05-02	
PROPRIETARY AND CONFIDENTIAL THE INFORMATION CONTAINED IN THIS DRAWING IS THE SOLE PROPERTY OF NEXTMOVE TECHNOLOGIES. ANY REPRODUCTION IN PART OR AS A WHOLE WITHOUT THE WRITTEN PERMISSION OF NEXTMOVE TECHNOLOGIES IS PROHIBITED.							
DIMENSIONS ARE IN INCHES TOLERANCES: ANGLE ± 5 DEGREES TWO PLACE DECIMAL ±.030 THREE PLACE DECIMAL ±.010 INTERPRET DIM AND TOL PER ASME Y14.5M - 1994							
THIRD ANGLE PROJECTION DO NOT SCALE DRAWING				PART NO.	ACC-N900652-1		TITLE:
				SIZE	DWG. NO.		REV
				SCALE: 1:4		ICDN900652	A
				SHEET 1 OF 3			



15X .500-13 UNC-2B THRU
 MINOR DIAMETER

⊕ ∅ .010 A B

2X 6.000

2X 4.500

2X 1.500

2X 1.500

2X 4.500

2X 6.000

15.550

15.550

13.000

4X 10.750

2X 9.500

9.125

6.500

3.875

2X 3.500

4X 2.250

FRONT

CROSS ELEVATION
 ROTATIONAL AXIS

2.375

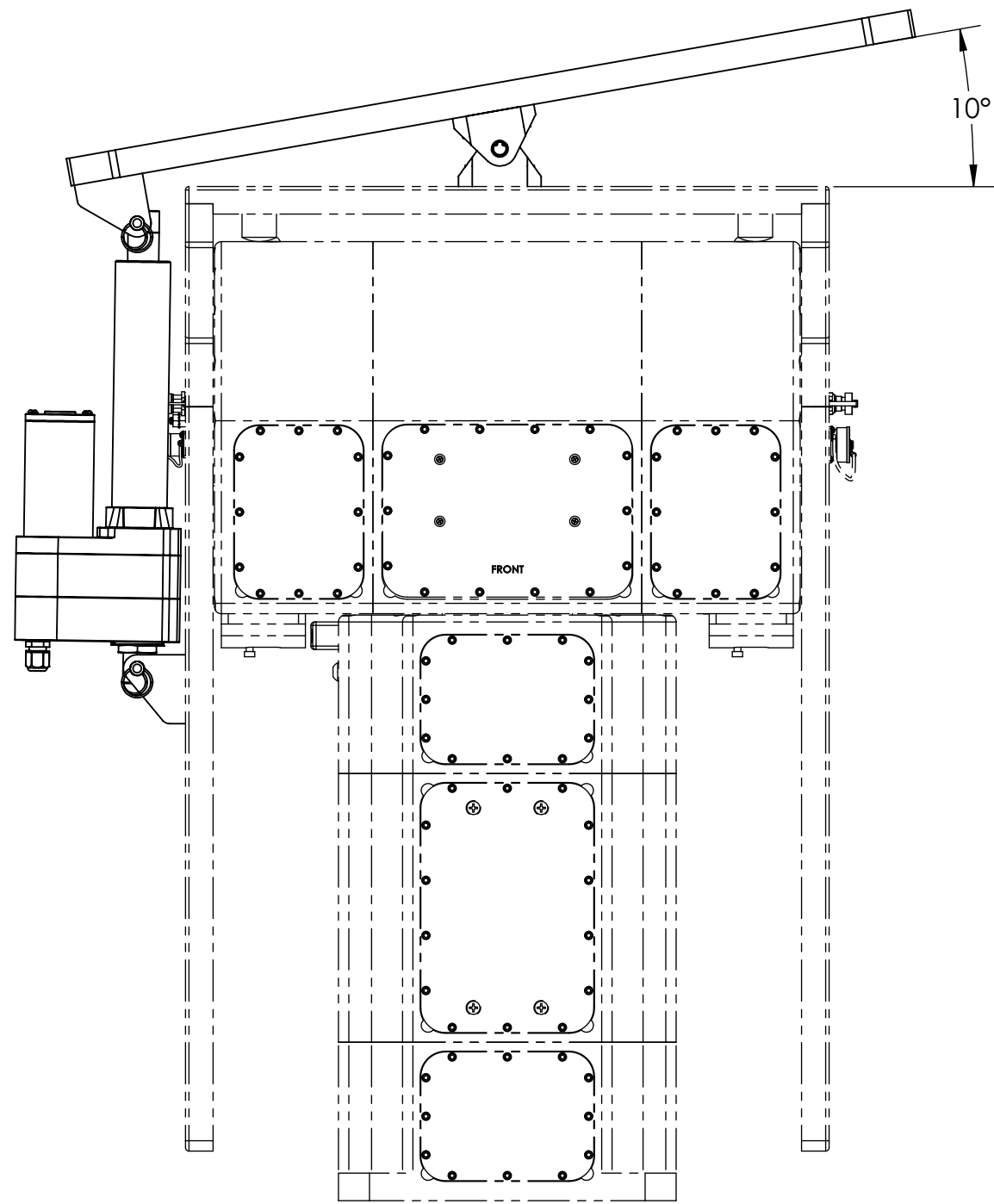
1.375

0

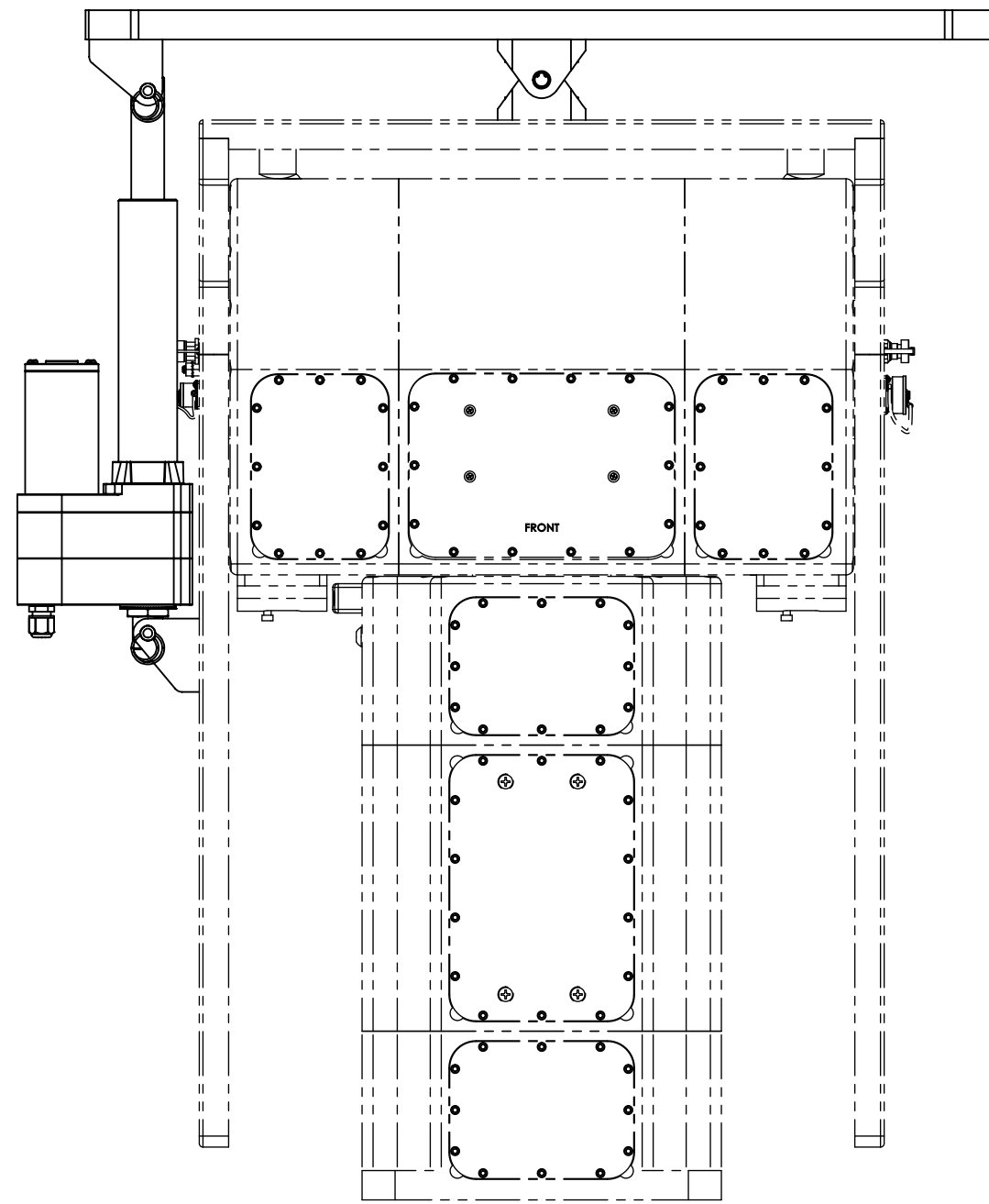
12.250

LA-360MPT-50
 ELEVATION AXIS

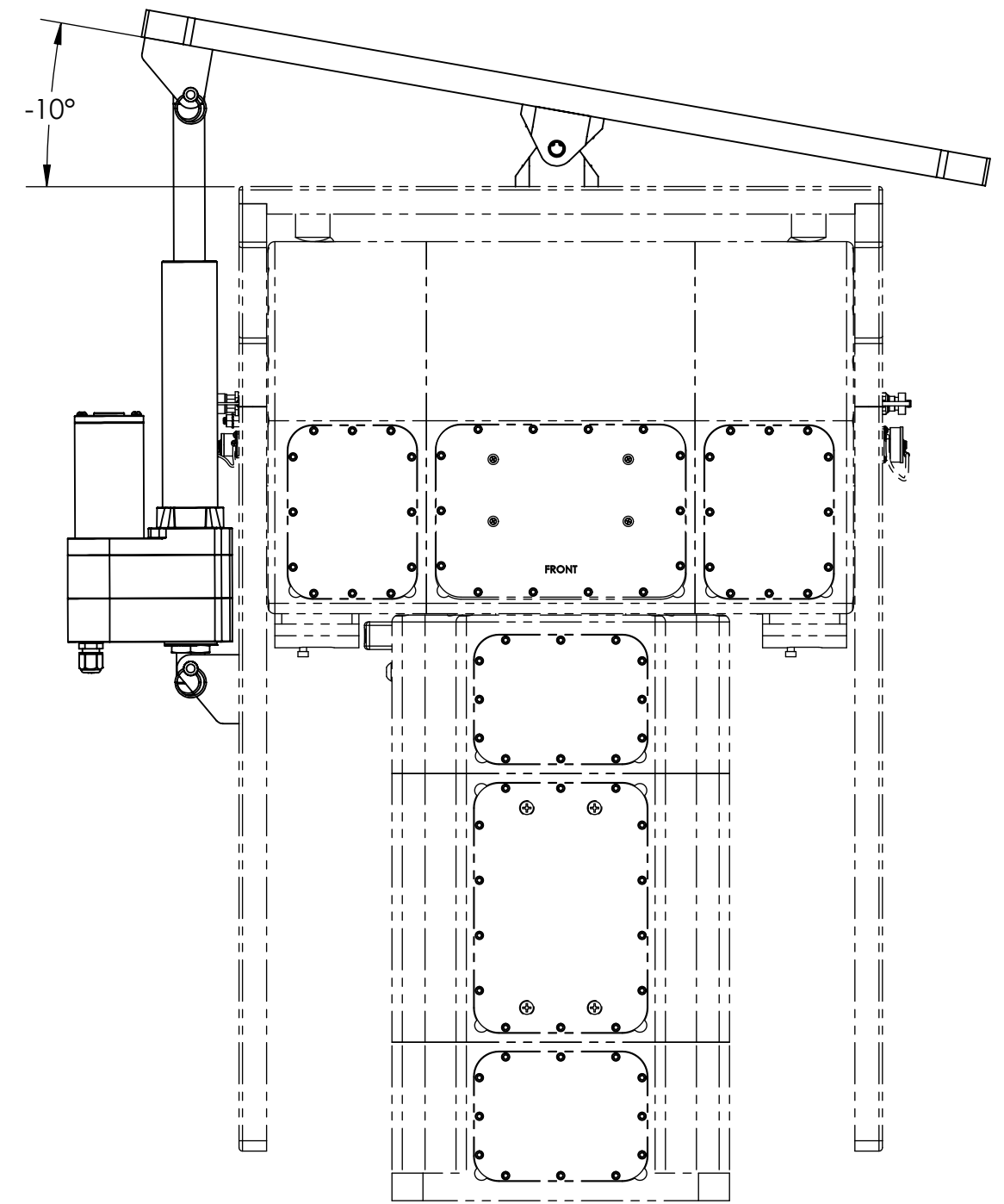
FRONT



SHOWN AT 10 DEGREES ROTATION
ABOUT THE CROSS ELEVATION AXIS



SHOWN AT 0 DEGREES ROTATION
ABOUT THE CROSS ELEVATION AXIS



SHOWN AT -10 DEGREES ROTATION
ABOUT THE CROSS ELEVATION AXIS