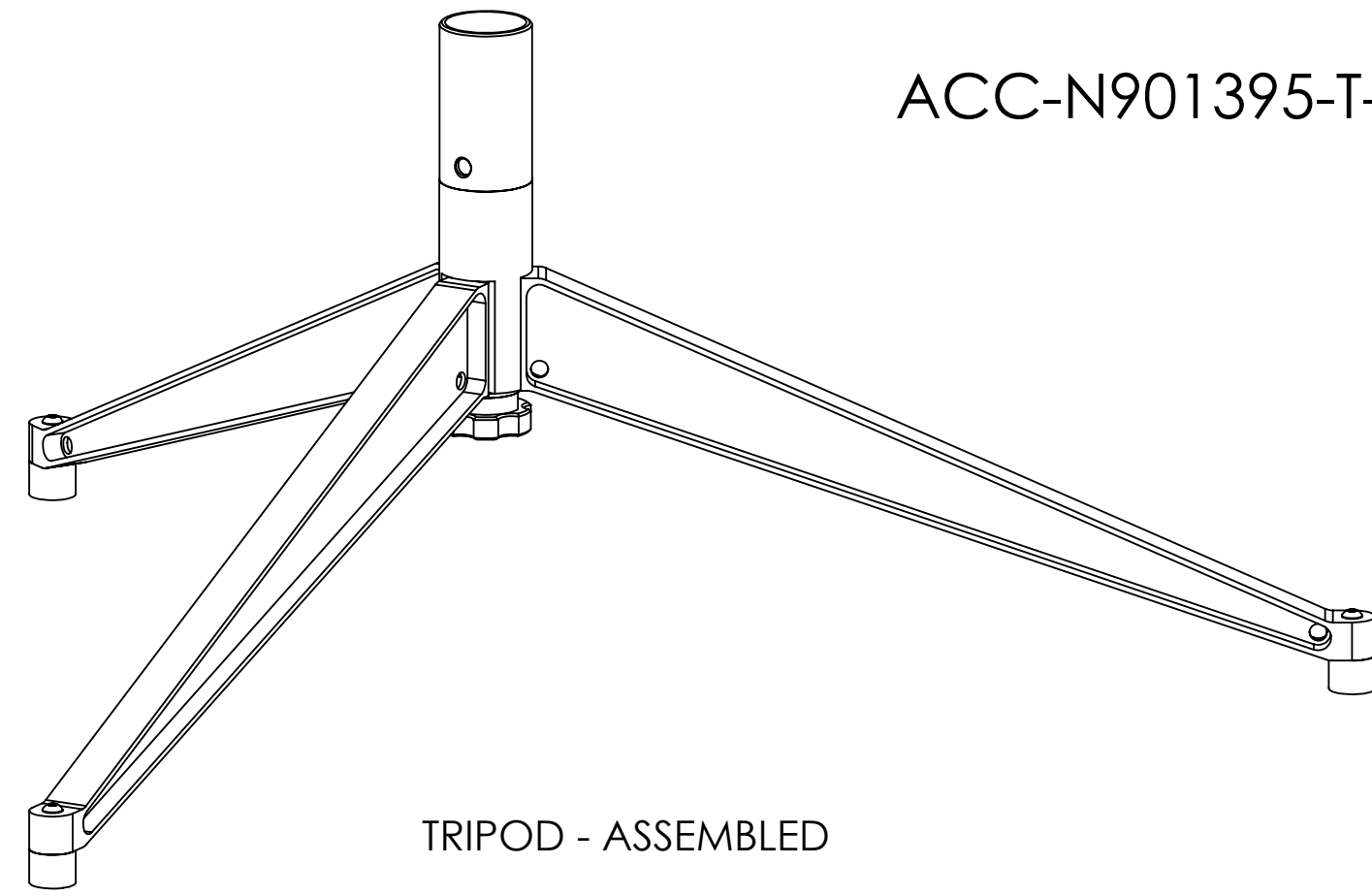


NOTES: UNLESS OTHERWISE SPECIFIED

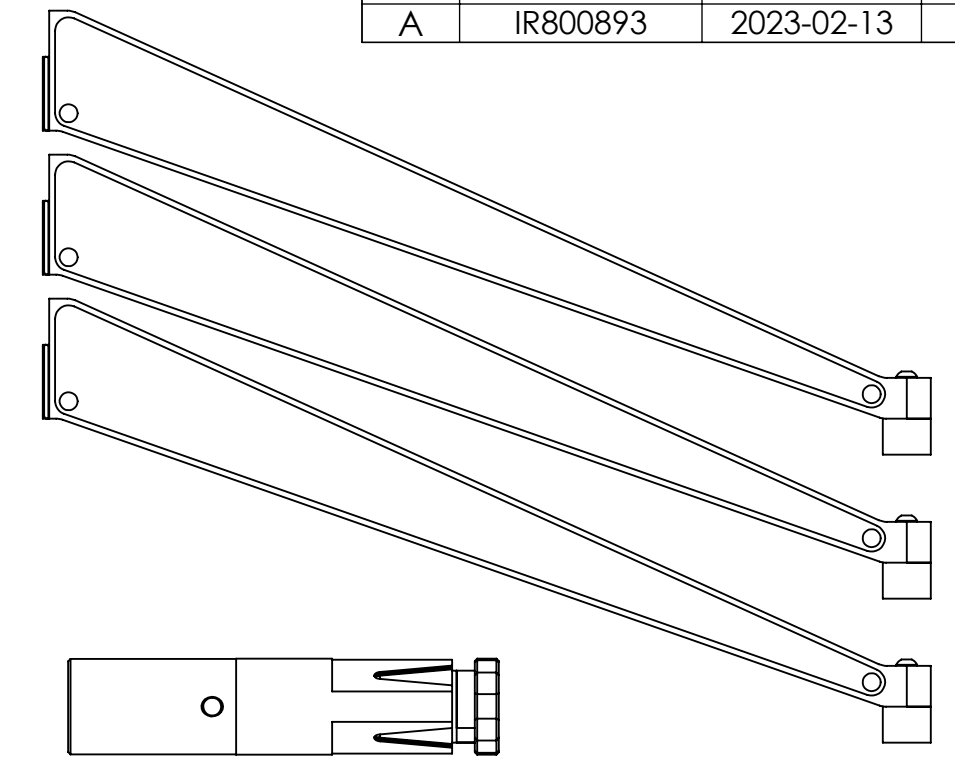
1. TRIPOD / QUADPOD INTERFACES DIRECTLY WITH ALL LINKALIGN AND LINKSAT POSITIONERS THAT NATIVELY HAVE A 2 INCH SOCKET OR WITH A 2 INCH SOCKET ADAPTER FOR POSITIONERS WITH TABLE TOP MOUNTS. NO TOOLS REQUIRED
2. HARD COAT ANODIZE ALUMINUM CONSTRUCTION WITH STAINLESS STEEL HARDWARE. SEE TABLE I FOR FINISH OPTIONS
3. WEIGHT: SEE TABLE I
4. MAXIMUM PAYLOAD: SEE TABLE I
5. CENTER OF GRAVITY OF POSITIONER AND PAYLOAD MUST NOT EXCEED INDICATED DIAMETER IN ORDER TO PREVENT TIPPING. STAKE DOWN USING HOLES DETAILED ON SHEET 2, VIEW A-A AND SHEET 3, VIEW C-C
6. QUADPOD CONTAINS ONE ADJUSTABLE LEG TO ELIMINATE WOBBLE WHEN ON UNEVEN SURFACES
7. INDICATED SURFACE IS MASKED PRIOR TO HARD COAT ANODIZE FINISH
8. TO ASSEMBLY, LOOSEN KNOB THEN INSERT LEGS INTO CORRESPONDING DOVETAIL V-GROOVES. ONCE ALL LEGS ARE ASSEMBLED TIGHTEN KNOB

REV	DESCRIPTION	DATE	APPROVED
A	IR800893	2023-02-13	SRC

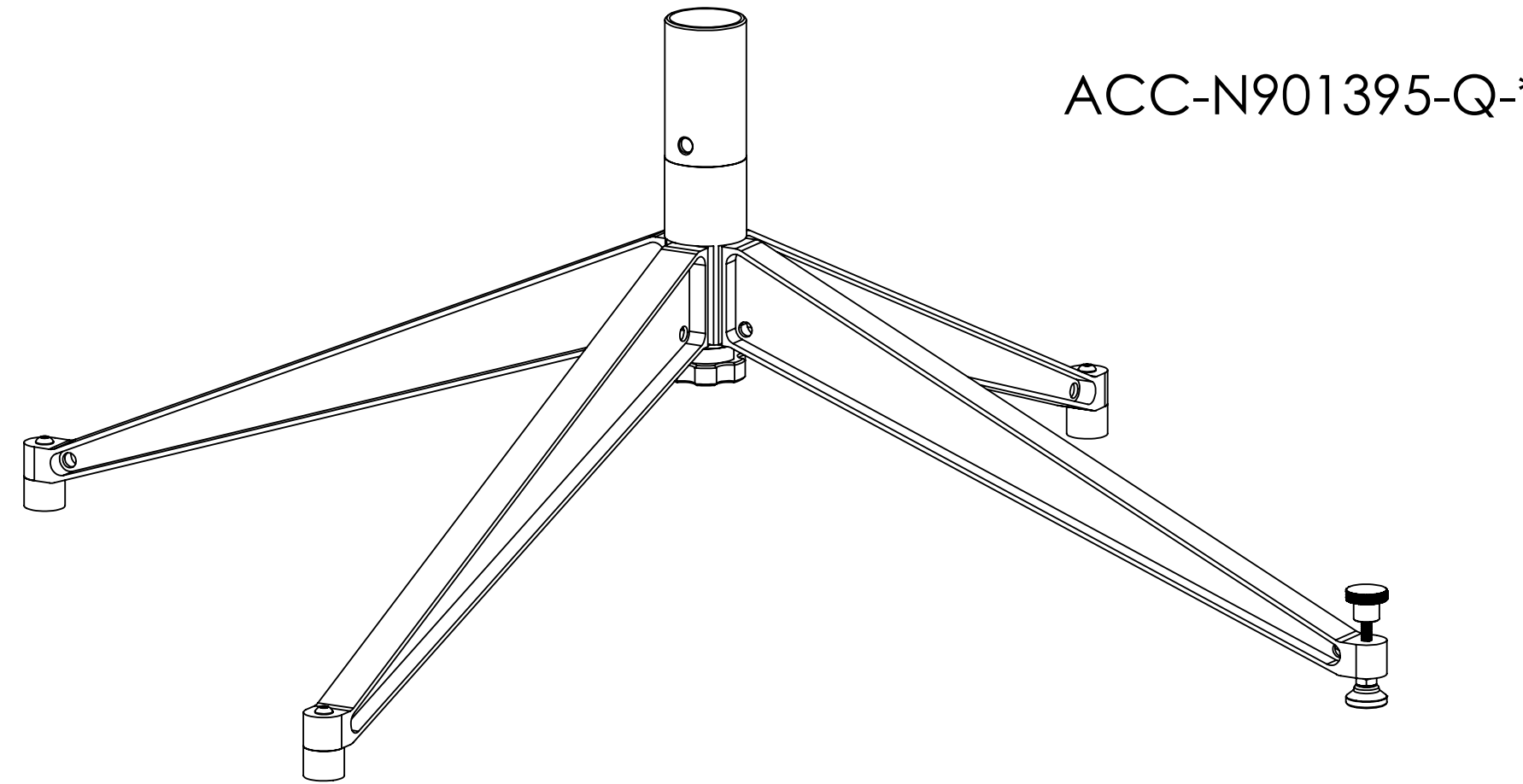


ACC-N901395-T-*

TRIPOD - ASSEMBLED

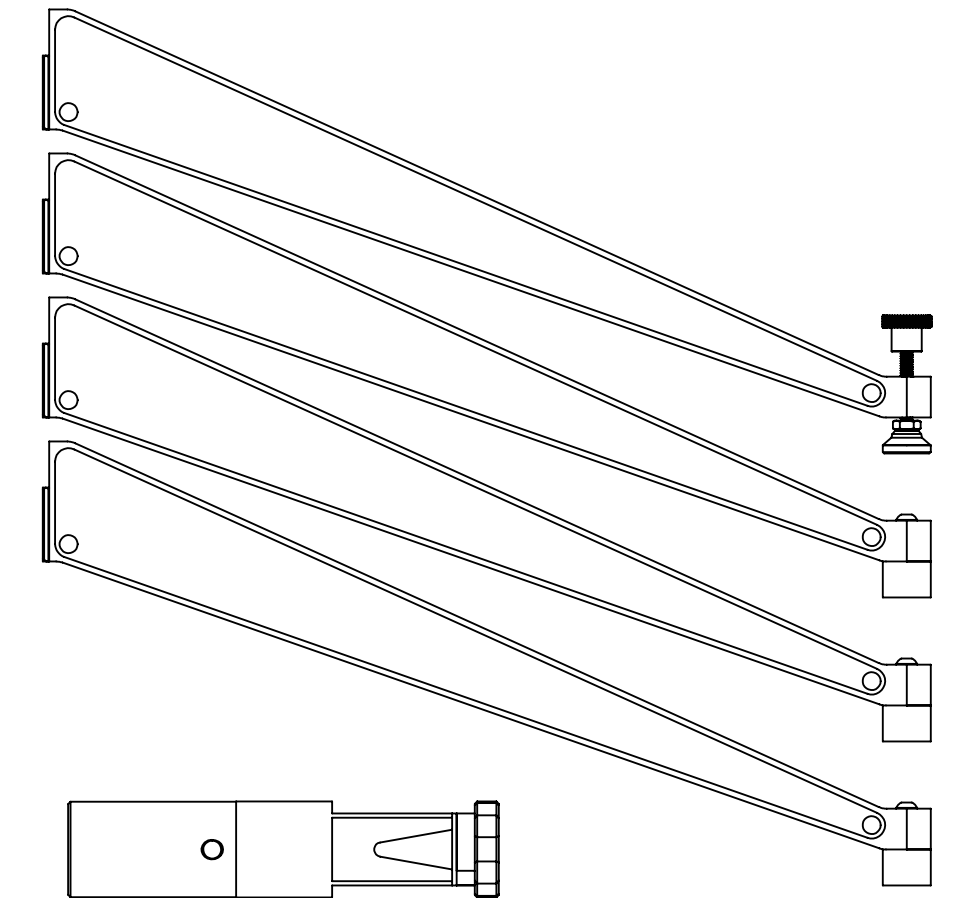


TRIPOD - DISASSEMBLED




ACC-N901395-Q-*

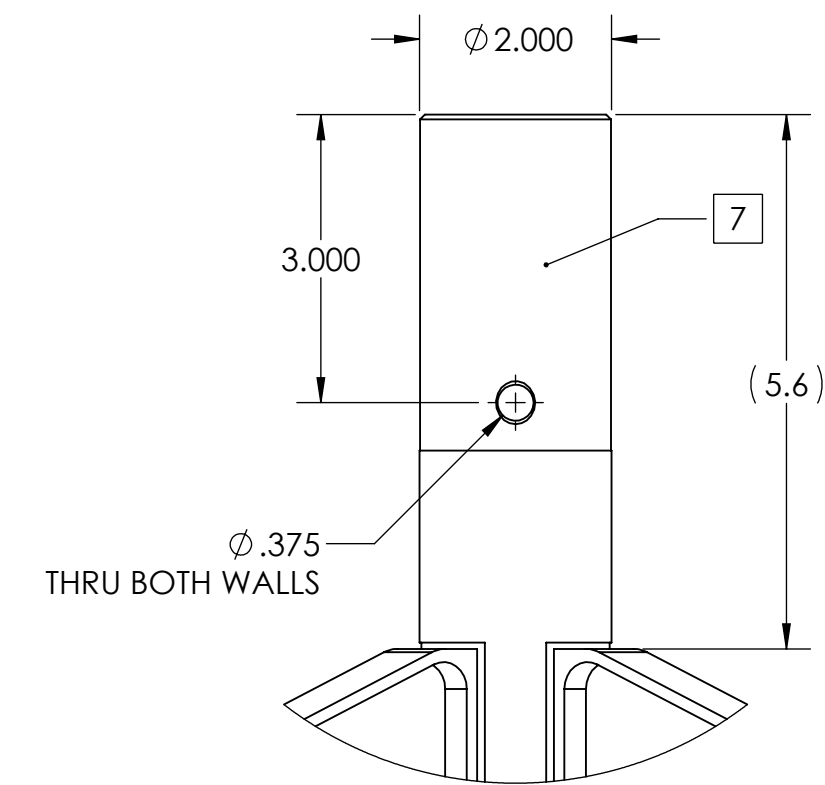
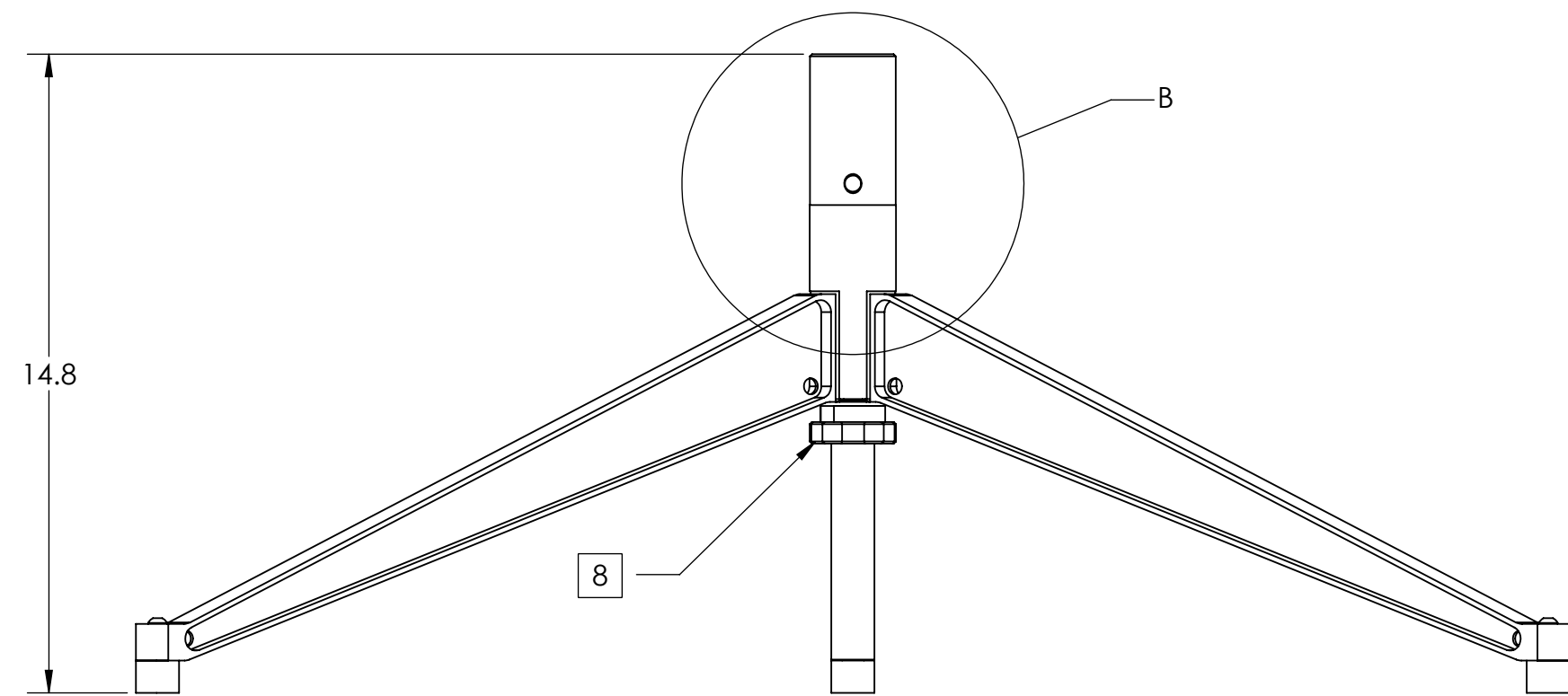
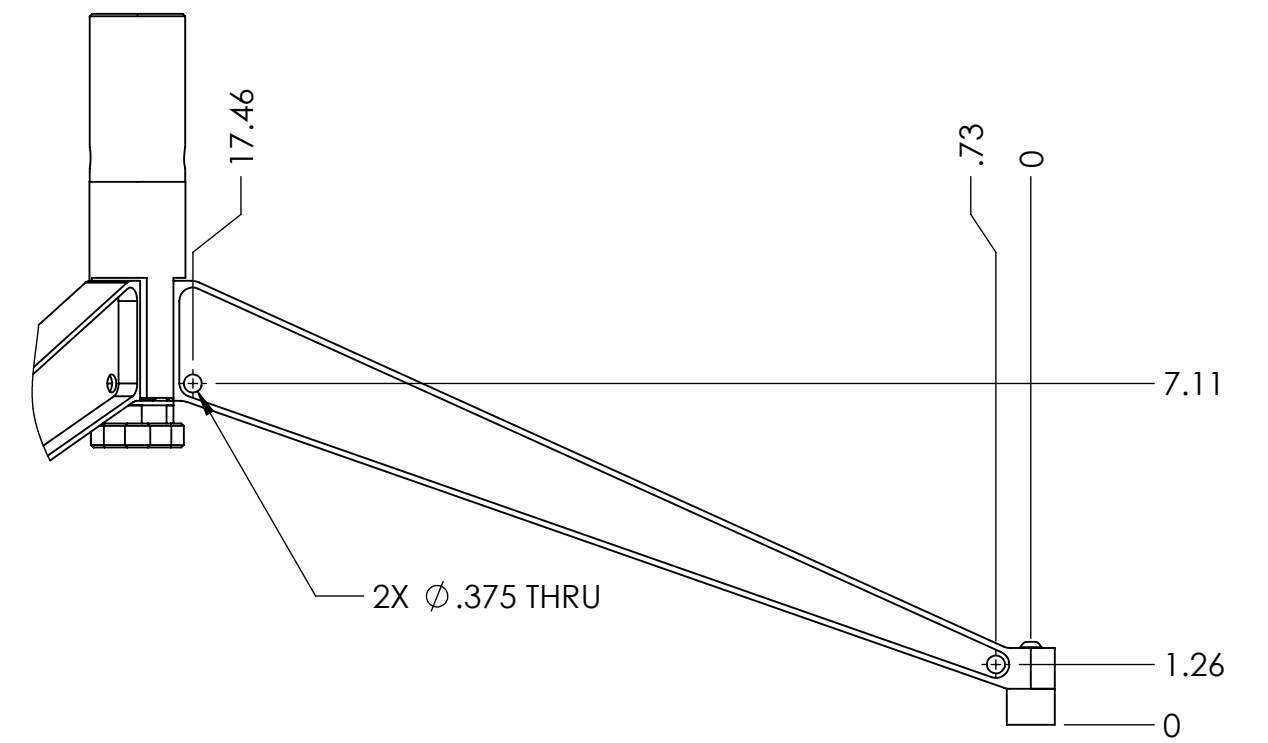
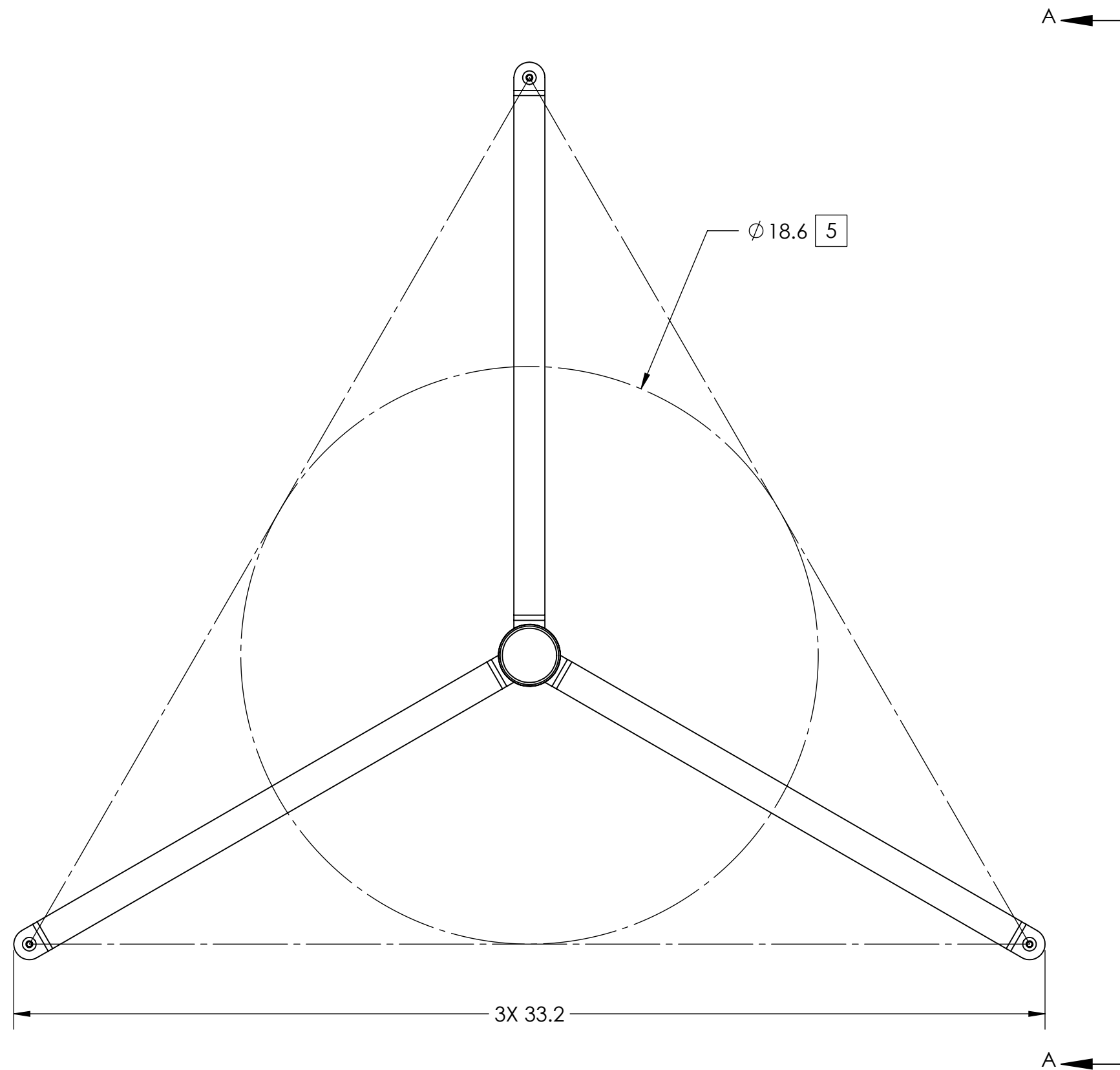
QUADPOD - ASSEMBLED



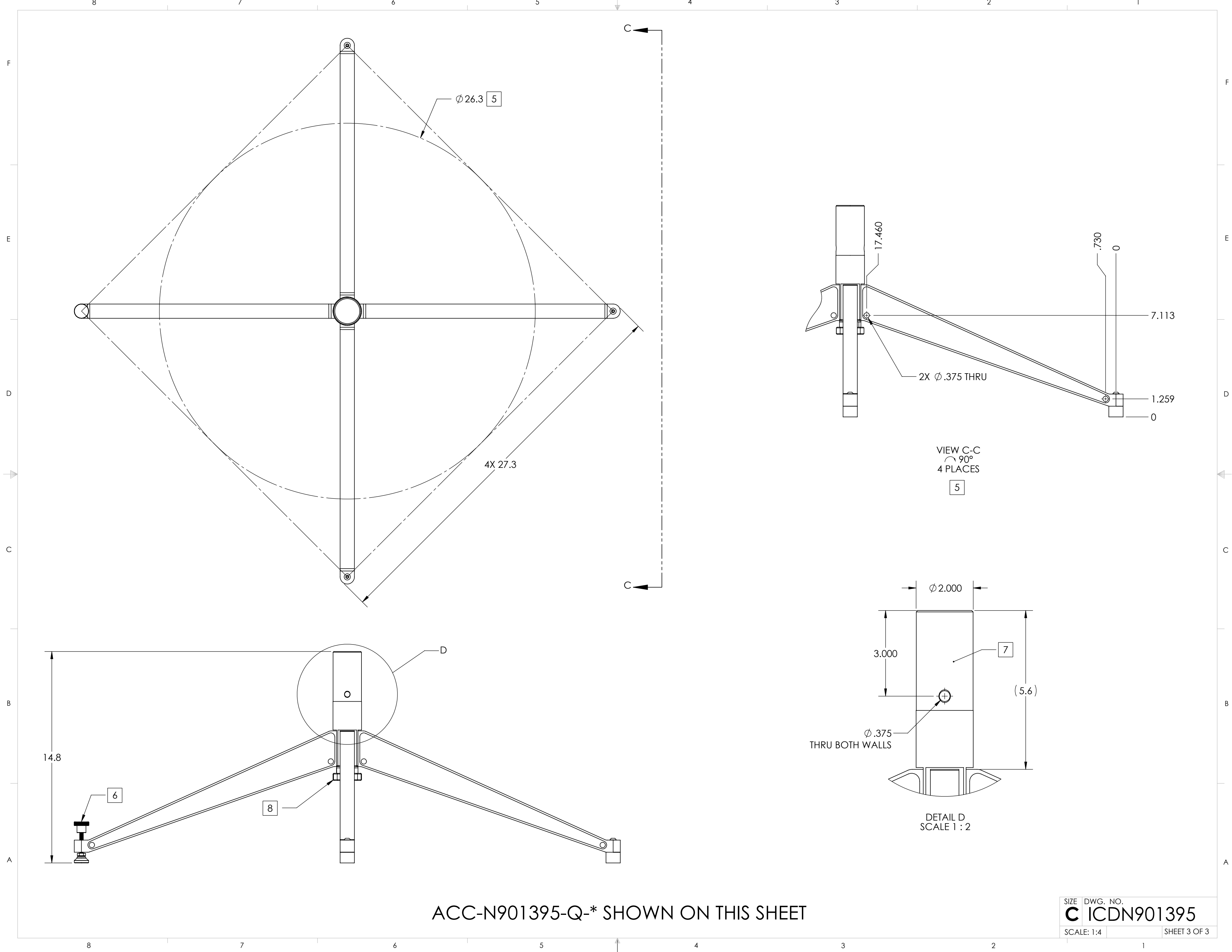
QUADPOD - DISASSEMBLED

TABLE I				
PART NUMBER	DESCRIPTION	FINISH 2	WEIGHT 3	MAX PAYLOAD 4
ACC-N901395-T	TRIPOD ASSEMBLY, LIGHTWEIGHT, 2 INCH O.D. MAST	HARD COAT ANODIZE, MIL-A-8625, TYPE III, CLASS 1, HOT WATER SEAL. PER MIL-A-8625 (GREY)	4.0 LBS (1.9 kg)	75 LBS (34.0 kg)
ACC-N901395-T-B	TRIPOD ASSEMBLY, LIGHTWEIGHT, 2 INCH O.D. MAST, BLACK	HARD COAT ANODIZE, MIL-A-8625, TYPE III, CLASS 2, HOT WATER SEAL. PER MIL-A-8625 (BLACK)	4.0 LBS (1.9 kg)	75 LBS (34.0 kg)
ACC-N901395-Q	QUADPOD ASSEMBLY, LIGHTWEIGHT, 2 INCH O.D. MAST	HARD COAT ANODIZE, MIL-A-8625, TYPE III, CLASS 1, HOT WATER SEAL. PER MIL-A-8625 (GREY)	5.0 LBS (2.3 kg)	100 LBS (45.4 kg)
ACC-N901395-Q-B	QUADPOD ASSEMBLY, LIGHTWEIGHT, 2 INCH O.D. MAST, BLACK	HARD COAT ANODIZE, MIL-A-8625, TYPE III, CLASS 2, HOT WATER SEAL. PER MIL-A-8625 (BLACK)	5.0 LBS (2.3 kg)	100 LBS (45.4 kg)

SYMBOL KEY <input type="checkbox"/> NOTE <input type="checkbox"/> PL ITEMS PROPRIETARY AND CONFIDENTIAL THE INFORMATION CONTAINED IN THIS DRAWING IS THE SOLE PROPERTY OF NEXTMOVE TECHNOLOGIES. ANY REPRODUCTION IN PART OR AS A WHOLE WITHOUT THE WRITTEN PERMISSION OF NEXTMOVE TECHNOLOGIES IS PROHIBITED. NEXTMOVE TECHNOLOGIES, LLC HOLLIS, NH 03049 www.nextmove.tech.com	UNLESS OTHERWISE SPECIFIED: DIMENSIONS ARE IN INCHES TOLERANCES: ANGLE ± 5 DEGREES TWO PLACE DECIMAL ±.030 THREE PLACE DECIMAL ±.010 INTERPRET DIM AND TOL PER ASME Y14.5M - 1994 THIRD ANGLE PROJECTION  DO NOT SCALE DRAWING	DRAWN S. CHEYNE 2023-02-13 CHECKED C. CHEYNE 2023-02-13 ME APPR. S. CHEYNE 2023-02-13 EE APPR.	NEXTMOVE TECHNOLOGIES TITLE: INTERFACE CONTROL DRAWING, TRIPOD / QUADPOD ASSEMBLY, LIGHTWEIGHT, 2 INCH O.D. MAST SIZE DWG. NO. REV C ICDN901395 A SCALE: 1:4 SHEET 1 OF 3
		PART NO. SEE TABLE I	



ACC-N901395-T-* SHOWN ON THIS SHEET



ACC-N901395-Q-* SHOWN ON THIS SHEET

SIZE	DWG. NO.
C	ICDN901395
SCALE: 1:4	SHEET 3 OF 3