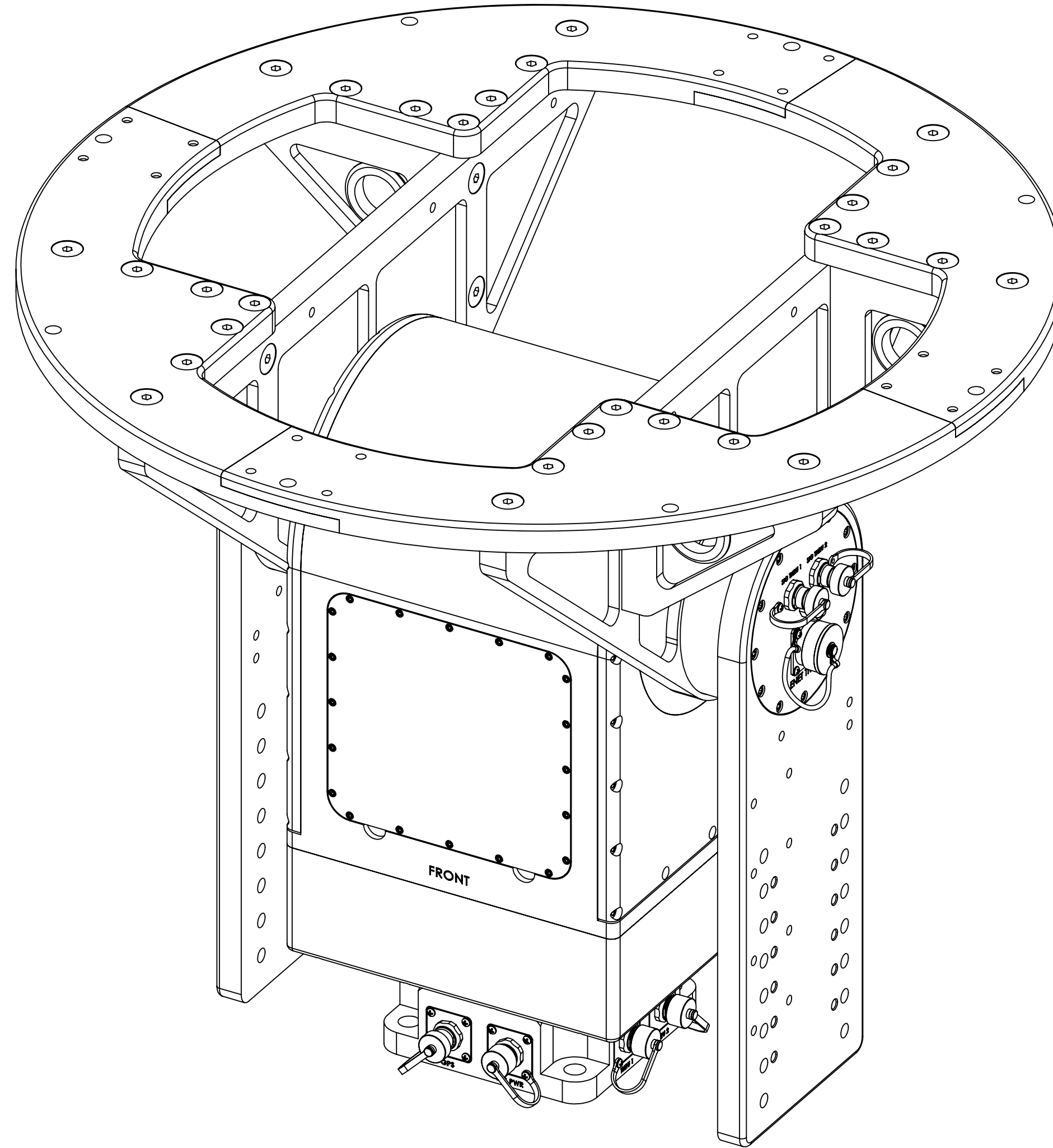


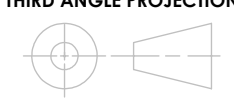
REV	DESCRIPTION	DATE	APPROVED
A	IR800891	2023-02-02	CLC

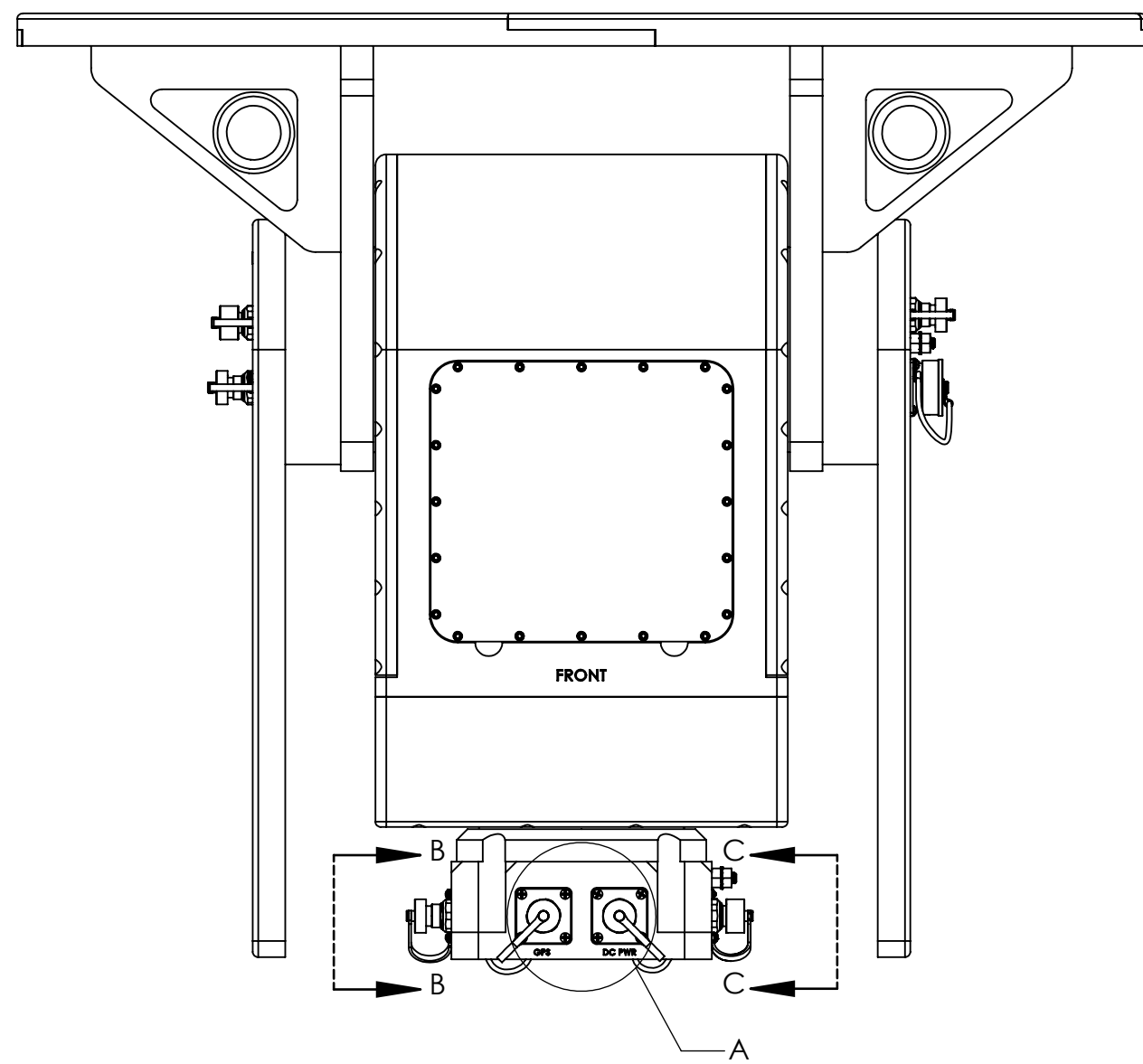
NOTES: UNLESS OTHERWISE SPECIFIED

- LA-360FER-56-ME-MP1 CUSTOM CONFIGURATION. ONLY CUSTOM CONNECTORS SPECIFIED IN THIS DOCUMENT. SEE ICDN901362 FOR MORE DETAILS ON POSITIONER AND STANDARD CONNECTORS
- STANDARD AZIMUTH TRAVEL, 440° (+/-220°) WITH CUSTOM AZIMUTH DRIVE RATE, 2°/SEC (NO LOAD)
- STANDARD ELEVATION TRAVEL, 120° (+120/0°) WITH STANDARD ELEVATION DRIVE RATE, 0.5°/SEC (NO LOAD)
- CUSTOM SERIAL CONNECTOR COMPRISED OF 8 PIN FEMALE TURCK CONNECTOR (MATES WITH TURCK P/N RS 8-T-* (* LENGTH IN METERS)). SEE SHEET 2 & TABLE II FOR DETAILS
- TWO CUSTOM EXTENDED I/O CONNECTOR COMPRISED OF 12 PIN MALE TURCK CONNECTORS (MATES WITH TURCK P/N RK 12-T-* (* LENGTH IN METERS)). SEE SHEET 3 & TABLE III FOR DETAILS

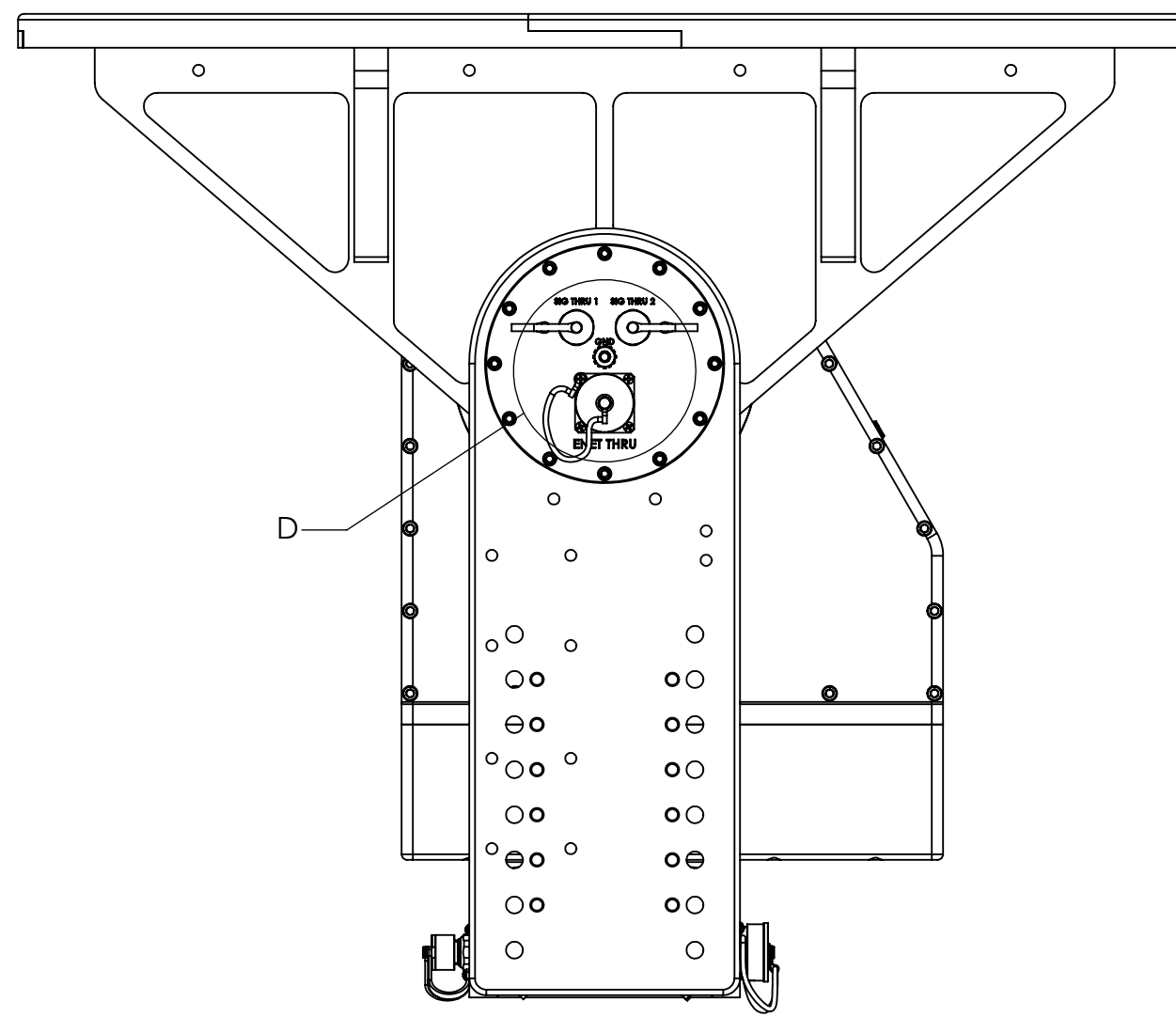


LA-360FER-56-ME-PRI-MP1

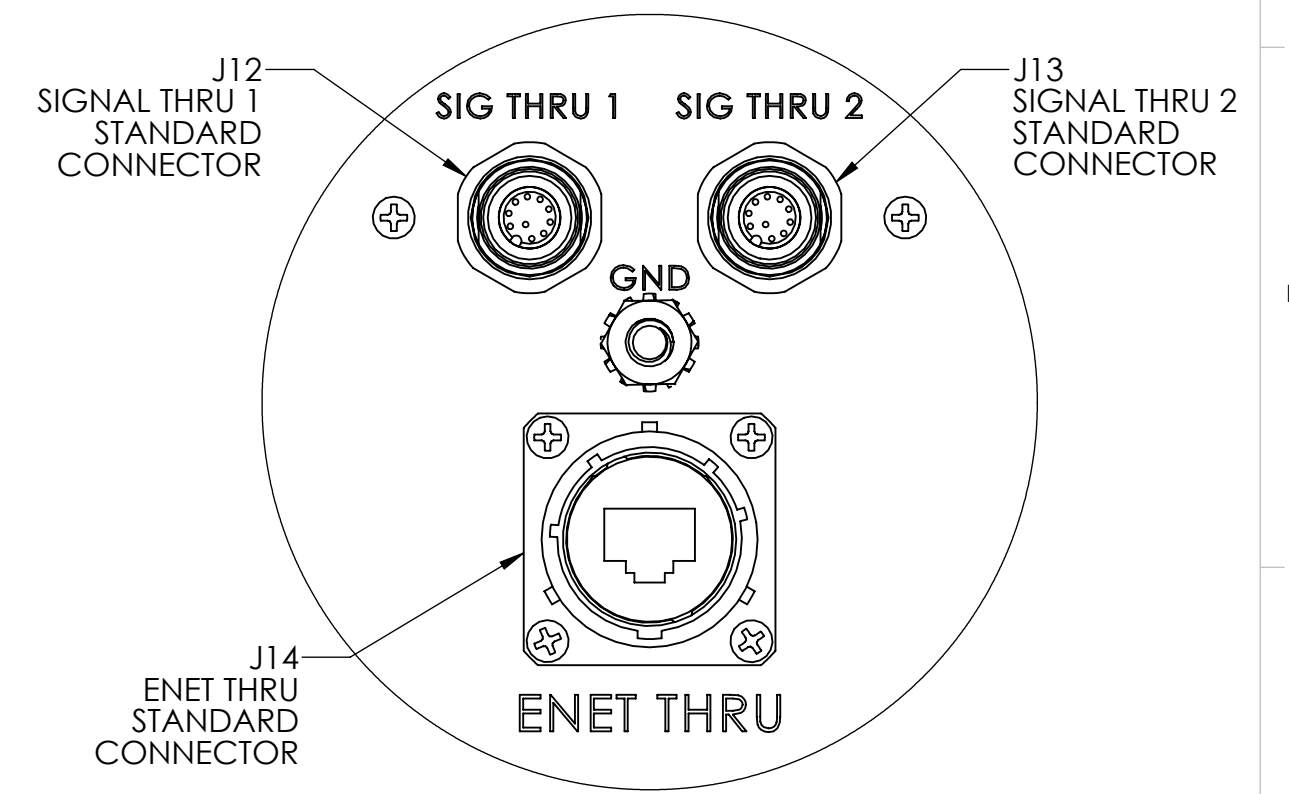
SYMBOL KEY		UNLESS OTHERWISE SPECIFIED:		DRAWN	C. CHEYNE	2023-02-02	NEXTMOVE TECHNOLOGIES	
□	NOTE	○	PL ITEMS	CHECKED	S. CHEYNE	2023-02-02		TITLE: LINKALIGN-360FER-56-ME-PRI-MP1, CUSTOM CONFIGURATION
PROPRIETARY AND CONFIDENTIAL THE INFORMATION CONTAINED IN THIS DRAWING IS THE SOLE PROPERTY OF NEXTMOVE TECHNOLOGIES. ANY REPRODUCTION IN PART OR AS A WHOLE WITHOUT THE WRITTEN PERMISSION OF NEXTMOVE TECHNOLOGIES IS PROHIBITED.				ME APPR.	C. CHEYNE	2023-02-02		
				EE APPR.				
DIMENSIONS ARE IN INCHES TOLERANCES: ANGLE ± 5 DEGREES TWO PLACE DECIMAL ±.030 THREE PLACE DECIMAL ±.010 INTERPRET DIM AND TOL PER ASME Y14.5M - 1994				PART NO.		SIZE	DWG. NO.	
THIRD ANGLE PROJECTION  DO NOT SCALE DRAWING				LA-360FER-56-ME-PRI-MP1		C	ICDN901415	A
NEXTMOVE TECHNOLOGIES, LLC HOLLIS, NH 03049 www.nextmove.tech.com						SCALE: 3:8	SHEET 1 OF 3	



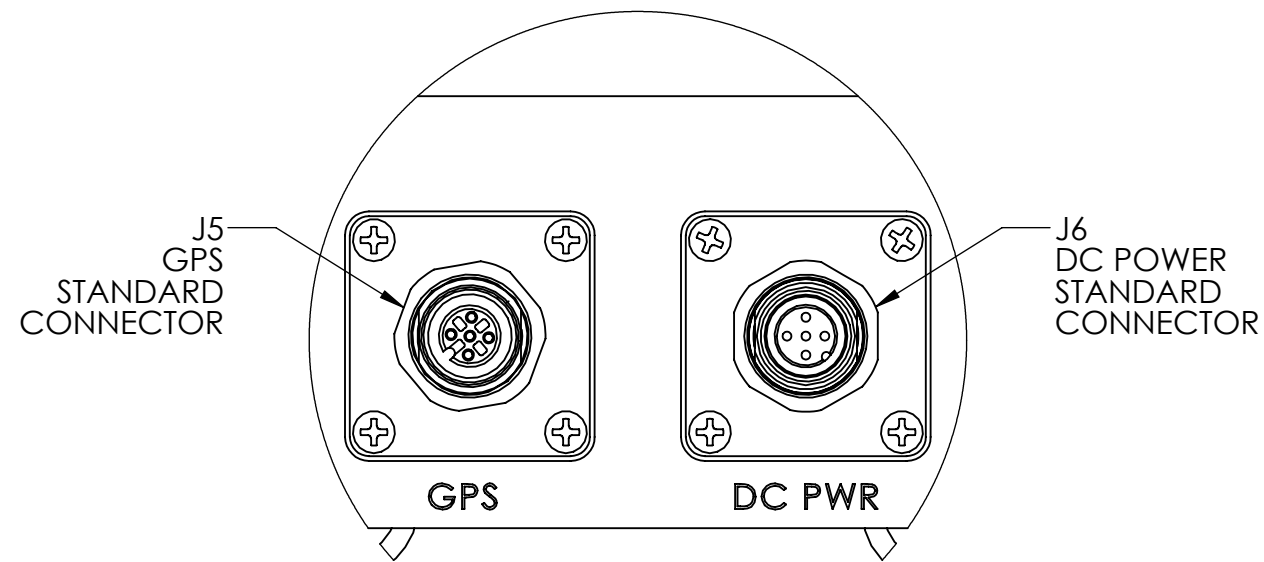
FRONT VIEW



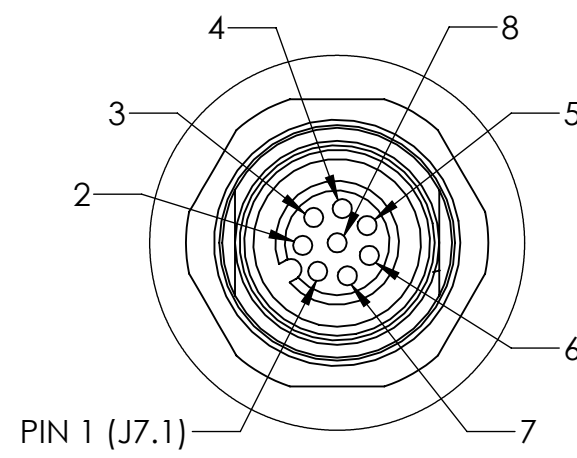
RIGHT VIEW



DETAIL D
SCALE 1 : 1
RIGHT VIEW, ELEVATION PANEL CONNECTORS
SHOWN WITHOUT CONNECTOR CAPS



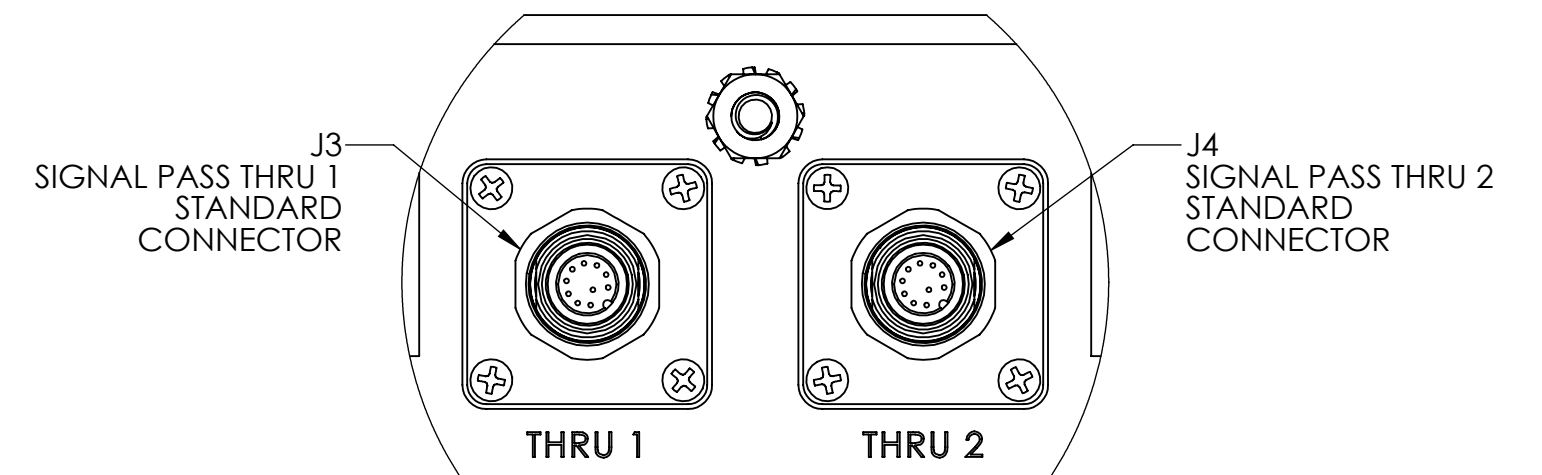
DETAIL A
SCALE 1 : 1
FRONT VIEW, AZIMUTH BASE CONNECTORS
SHOWN WITHOUT CONNECTOR CAPS



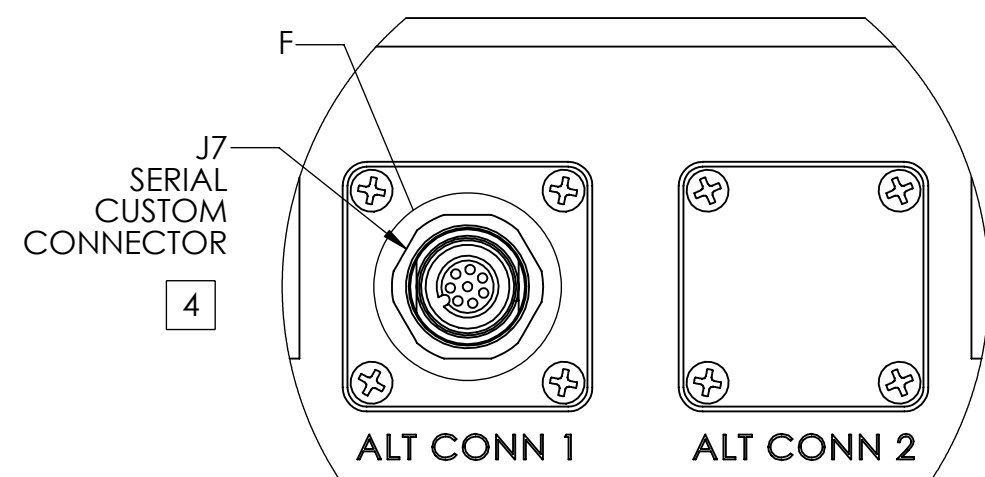
J7 CONNECTOR,
SHOWN FROM MATING SIDE,
MATES WITH TURCK
P/N RS 8-T-* (* LENGTH IN METERS)

DETAIL F
SCALE 2 : 1
SEE TABLE II FOR SERIAL
CONNECTOR PINOUT DETAILS

4

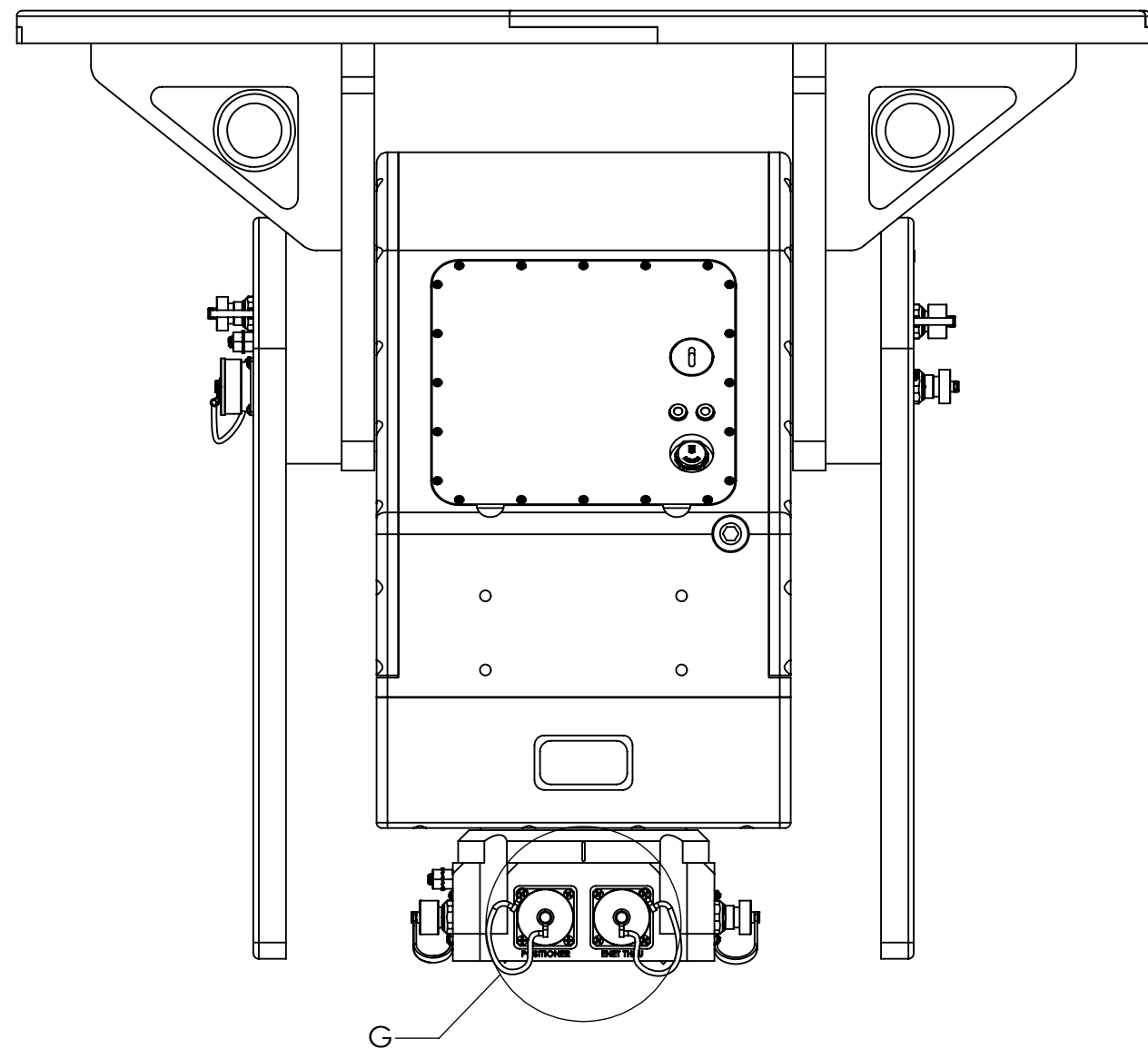


SECTION C-C
SCALE 1 : 1
LEFT VIEW, AZIMUTH BASE CONNECTORS
SHOWN WITHOUT CONNECTOR CAPS

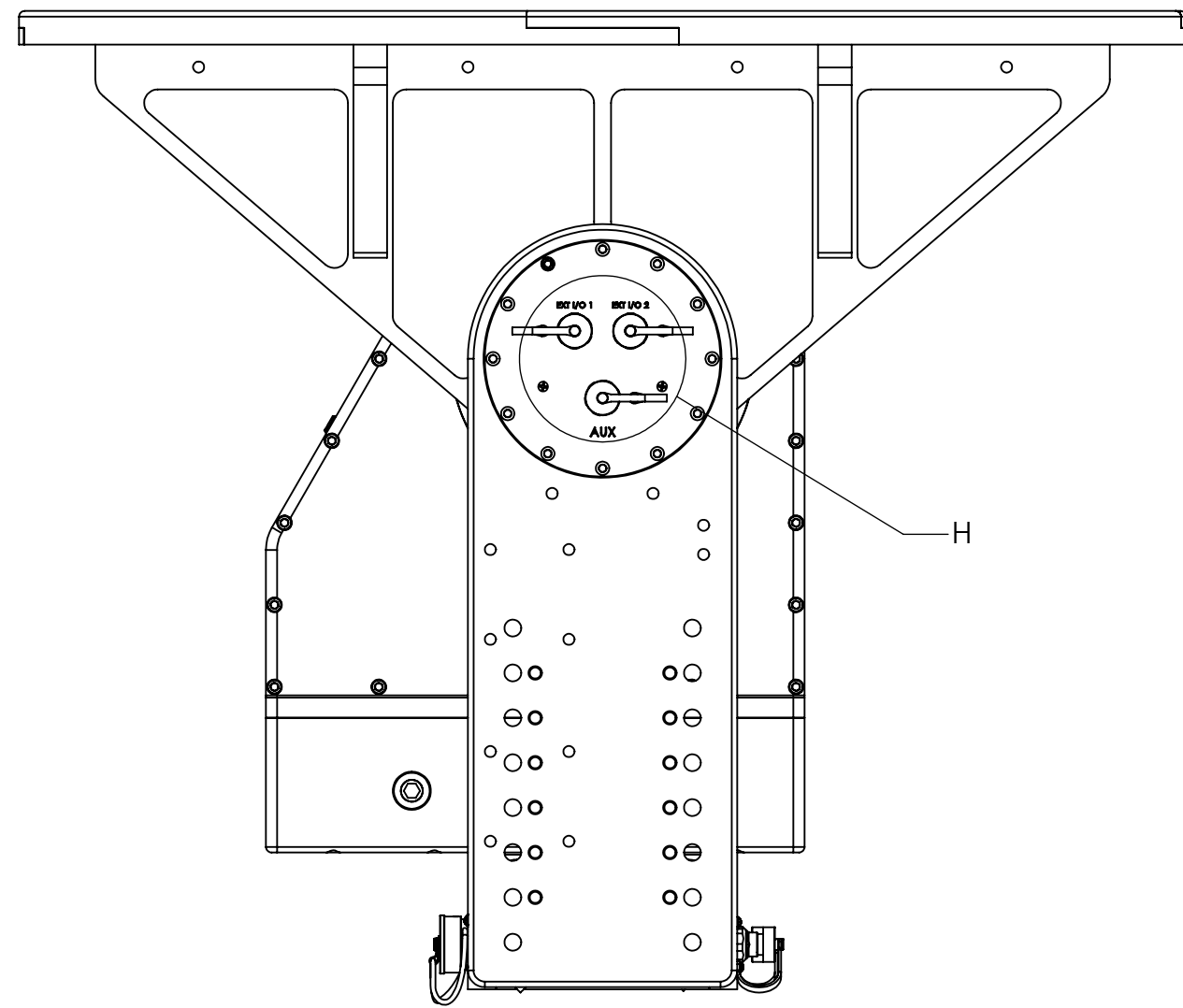


SECTION B-B
SCALE 1 : 1
RIGHT VIEW, AZIMUTH BASE CONNECTORS
SHOWN WITHOUT CONNECTOR CAPS

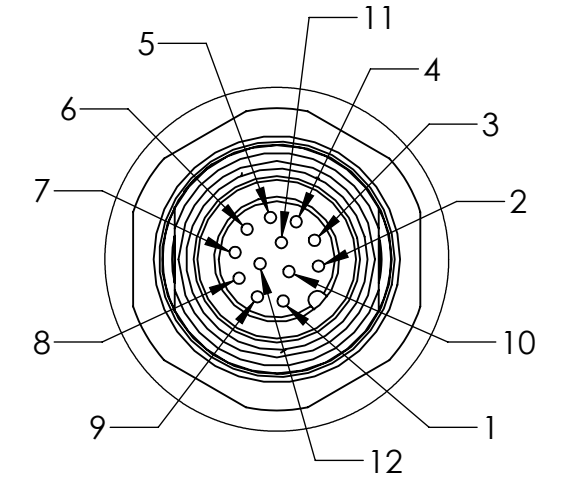
TABLE II (SERIAL CONNECTOR) 4	
CONNECTOR DESIGNATION	FUNCTION
J7.1	5V
J7.2	GND
J7.3	12V
J7.4	GND
J7.5	RS232, UART4 Tx
J7.6	RS232, UART4 Rx
J7.7	RS232, UART5 Tx
J7.8	RS232, UART5 Rx



REAR VIEW
VIEW E-E
SHEET 2
ZONE D-3



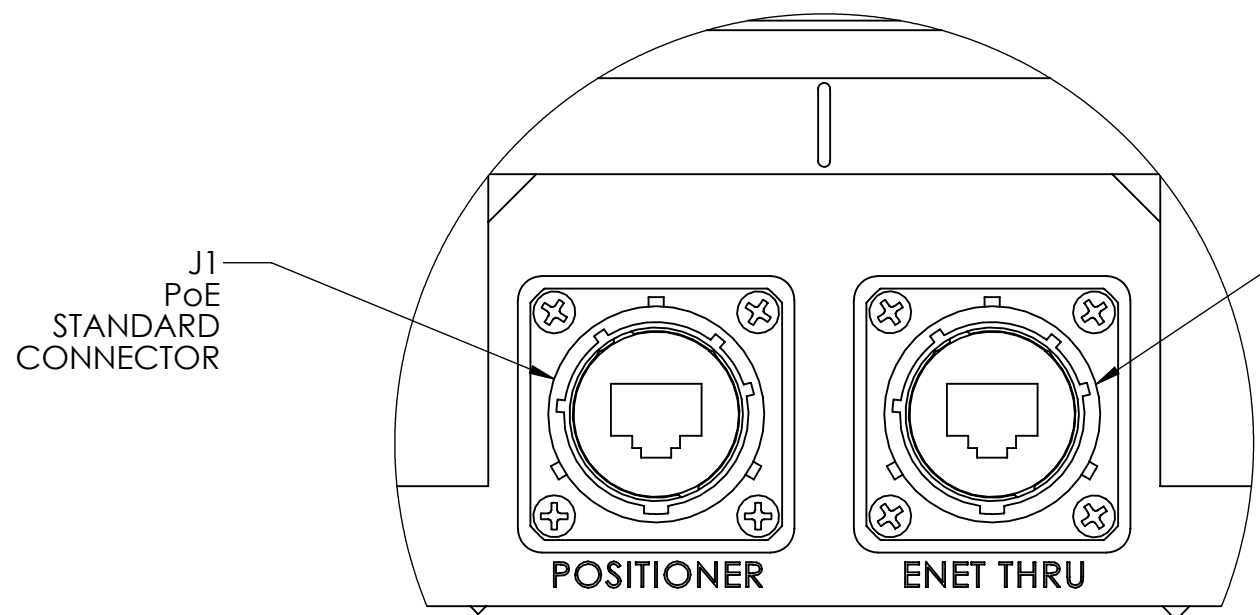
LEFT VIEW



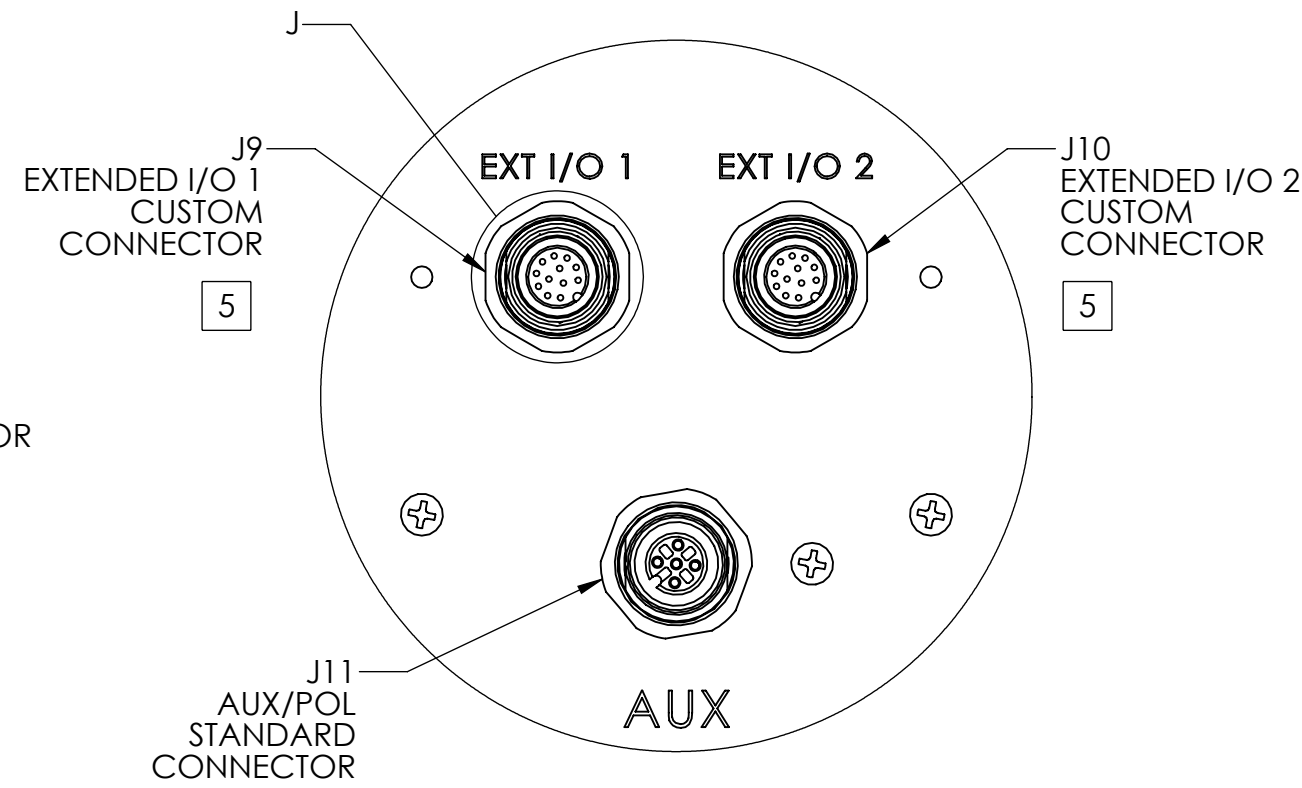
J9 & J10 CONNECTORS
SHOWN FROM MATING SIDE
MATES WITH TURCK
P/N RK 12T-* (* LENGTH IN METERS)

DETAIL J
SCALE 2 : 1
2 PLACES
SEE TABLE III FOR EXTENDED I/O
CONNECTOR PINOUT DETAILS

5



DETAIL G
SCALE 1 : 1
REAR VIEW, AZIMUTH BASE CONNECTORS
SHOWN WITHOUT CONNECTOR CAPS



DETAIL H
SCALE 1 : 1
LEFT VIEW, ELEVATION PANEL CONNECTORS
SHOWN WITHOUT CONNECTOR CAPS

TABLE III (EXTENDED I/O) 5

CONNECTOR DESIGNATION	FUNCTION
J9.1	ADC_1+
J9.2	GND
J9.3	IN2, IN_GPIO_1_27
J9.4	IN1, IN_GPIO_1_16
J9.5	COM
J9.6	IN3, IN_GPIO_1_24
J9.7	OUT1, OUT_GPIO_1_15
J9.8	OUT4, OUT_GPIO_1_22
J9.9	ADC_1-
J9.10	OUT3, OUT_GPIO_1_21
J9.11	IN4, IN_GPIO_1_14
J9.12	OUT2, OUT_GPIO_1_17
J10.1	ADC_2+
J10.2	GND
J10.3	IN6, IN_GPIO_0_6
J10.4	IN5, IN_GPIO_3_16
J10.5	COM
J10.6	IN7, IN_GPIO_1_26
J10.7	OUT5, OUT_GPIO_0_13
J10.8	OUT8, OUT_GPIO_1_28
J10.9	ADC_2-
J10.10	OUT7, OUT_GPIO_1_25
J10.11	IN 8, IN_GPIO_2_0
J10.12	OUT6, OUT_GPIO_3_21